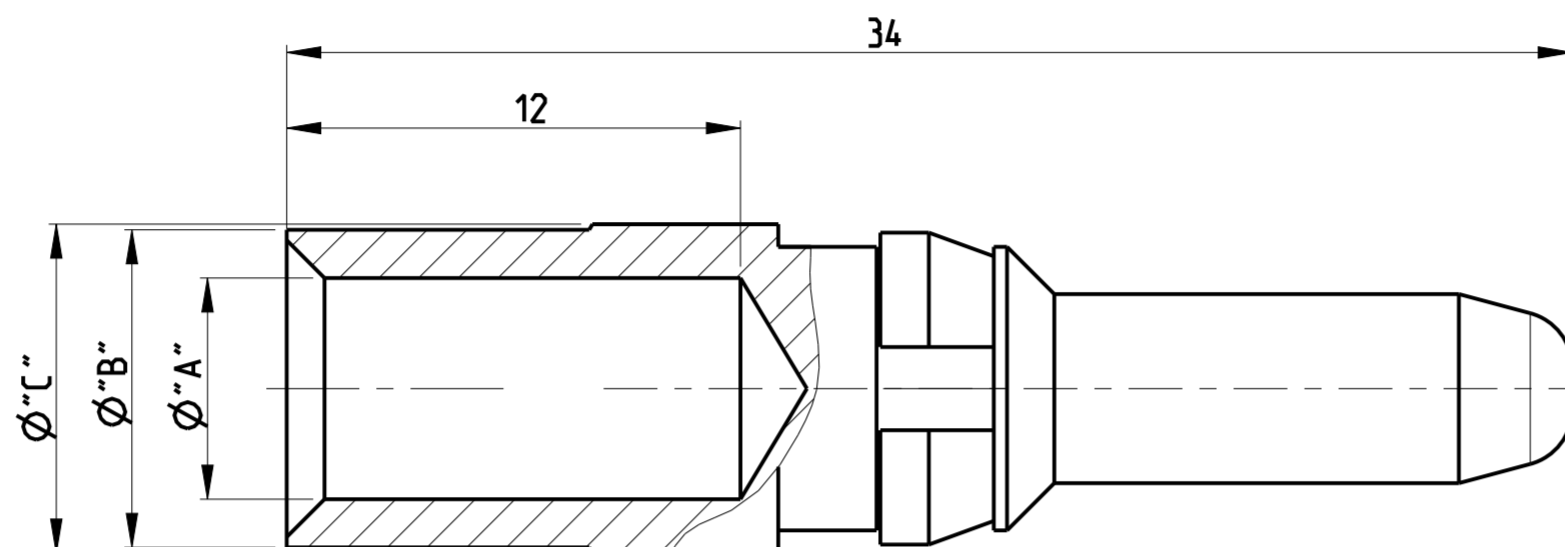
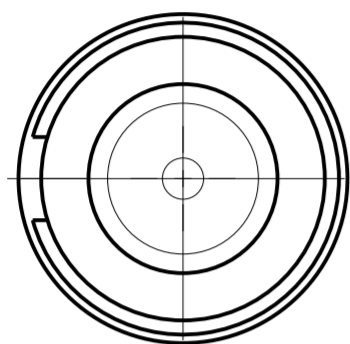


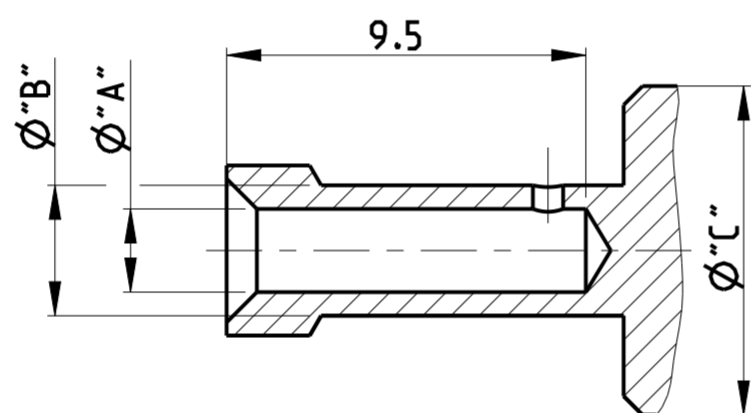
THIS DRAWING IS UNPUBLISHED. RELEASED FOR PUBLICATION  
ALL RIGHTS RESERVED.

LOC	DIST	REVISIONS					
		P	LTR	DESCRIPTION	DATE	DWN	APVD
B1	-	D3		REVISED PER ECO-11-005150	31MAR2011	RK	HMR
		D4		ECR-14-007793	26AUG2014	RK	MKO

WIRE CROSS-SECTION:  
Ø6mm<sup>2</sup>- 16mm<sup>2</sup>



WIRE CROSS-SECTION:  
Ø2.5mm<sup>2</sup>/ 4mm<sup>2</sup>



Notes

- 1 MATERIAL: BRASS
- 2 FINISH SILVER PLATING: 2µm Ag MIN. OVER Cu
- 3 FINISH GOLD PLATING: 0.75µm Au MIN. OVER Ni
- 4 WEIGHT (MAX.): 7.60 g, VOLUME (MAX.): 932mm<sup>3</sup> (APPROX.)
- 5 SUITABLE SOCKET CONTACT: CUSTOMER DRAWING 1105151
- 6 SUITABLE INSERTS: SERIES HSS. CUSTOMER DRAWING
- 7 SUITABLE CRIMP TOOL: PN 1-1105850-8
- 8 SUITABLE INSERTION TOOL: -
- 9 SUITABLE EXTRACTION TOOL: PN 0-1102855-5
- 10 FINE WIRE DIA. MAX. Ø 4.5
- 11 PACKAGING:  
25 PIECES IN A POLY-BAG  
1 POLY-BAG IN A CARTON
- 12 PACKAGING:  
1 PIECES LOOSE
- 13 STANDARDS: DIN EN 61984, DIN EN 60664-1

							11	12
HSS-C-Sti.Au.16.0 mm <sup>2</sup>	GOLD	16.0	5.85	8.4	8.7	12	5-2	9-3
HSS-C-Sti.Au.10.0 mm <sup>2</sup>		10.0	4.35	5.9	8.7	12	4-2	9-2
HSS-C-Sti.Au.6.0 mm <sup>2</sup>		6.0	3.5	4.9	8.7	12	3-2	9-1
HSS-C-Sti.Ag.25.0 mm <sup>2</sup>	SILVER	25.0	7	9.45	9.6	12	6-1	8-7
HSS-C-Sti.Ag.16.0 mm <sup>2</sup>		16.0	5.85	8.4	8.7	12	5-1	8-6
HSS-C-Sti.Ag.10.0 mm <sup>2</sup> -fine		10.0	4.6	5.9	8.7	12	4-3	8-5
HSS-C-Sti.Ag.10.0 mm <sup>2</sup>		10.0	4.35	5.9	8.7	12	4-1	8-4
HSS-C-Sti.Ag.6.0 mm <sup>2</sup>		6.0	3.5	4.9	8.7	12	3-1	8-3
HSS-C-Sti.Ag.4.0 mm <sup>2</sup>		4.0	2.8	3.9	8.7	12	2-1	8-2
HSS-C-Sti.Ag.2.5 mm <sup>2</sup>		2.5	2.2	3.45	8.7	12	1-1	8-1
		[MM <sup>2</sup> ]	"A"	"B"	"C"	[MM]	PN	PN
ORDERING TEXT	PLATING	CROSS SECTION	DIMENSIONS			STRIPPING-LENGTH	WITH CLIP	

PARTS LIST

THIS DRAWING IS A CONTROLLED DOCUMENT.		DWN K.SCHROEDER CHK H.BRAUN APVD T.SCHNURPFEL	08APRIL2008	<b>STE</b> TE Connectivity	
DIMENSIONS: mm		TOLERANCES UNLESS OTHERWISE SPECIFIED:		NAME PIN CONTACT SERIES HSS	
0 PLC ±		1 PLC ±		PRODUCT SPEC 108-74016	
2 PLC ±		3 PLC ±		APPLICATION SPEC 114-74028	
4 PLC ±		ANGLES ±0.5°		SIZE A2	
MATERIAL		FINISH		CAGE CODE 00779	
1		2 3		DRAWING NO C-1105150	
Customer Drawing				RESTRICTED TO -	
SCALE 5:1				SHEET 1 OF 1	
				REV 04	

