



ISO9001 ISO14001 IATF16949 CHILISIN ELECTRONICS CORP.

RoHS & Halogen Free & REACH Compliance.

SPECIFICATION FOR APPROVAL

Customer : 超利維

Customer P/N:

Drawing No : IE1-950243

Quantity : X Pcs. Date : 2019/5/15

Chilisin P/N : LD0805-4R7K-N

SPECIFICATION ACCEPTED BY:	
COMPONENT ENGINEER	
ELECTRICAL ENGINEER	
MECHANICAL ENGINEER	
APPROVED	
REJECTED	

奇力新電子股份有限公司
Chilisin Electronics Corp
No. 29, Alley 301, Tehhsin Rd.,
Hukou, Hsinchu 303, Taiwan
TEL : +886-3- 599-2646
FAX : +886-3- 599-9176
E-mail : sales@chilisin.com
http : //www.chilisin.com

東莞奇力新電子(東莞廠)有限公司
Chilisin Electronics (Dongguan) Co., Ltd.
No. 78, Puxing Rd., Yuliangwei Administration
Area, Qingxi Town, Dongguan City,
Guangdong, China
TEL : +86-769-8773-0251~3
FAX : +86-769-8773-0232
E-mail : cect@chilisin.com

奇力新電子(越南廠)有限公司
Chilisin Electronics (Vietnam) Limited
No 143 - 145, Road No 10, VSIP Hai
Phong, Lap Le Commune, Thuy Nguyen
Dist, Haiphong City, Vietnam
Tel : 84-316 255 688 Fax : 84-316 255
689
E-mail : sales@chilisin.com

奇力新電子(湖南廠)有限公司
HuNan Chilisin Electronics Technology Co., Ltd
No. 8, Shaziao Liangshuijing Town, Yuanling
County, Huaihua City, Hunan Province 419601,
China
Tel : 86-745-867-5882
E-mail : cect@chilisin.com

Drawn by
徐鈺雯 yumi.hsu

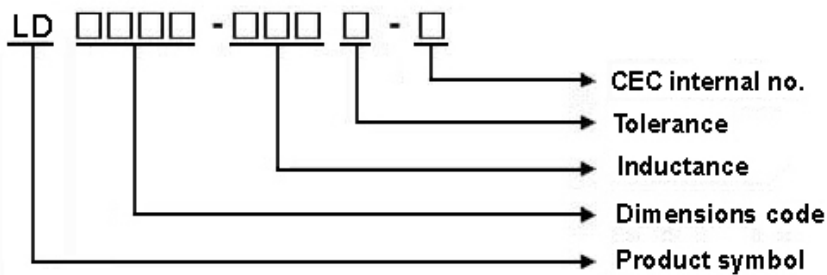
Checked by
吳振賢 ian.wu

Approved by
陳瑞揚 ryan.chen

LD0805 Series Specification

1 Scope: This specification applies to Wire Wound Ferrite Chip Inductors

2 Part Numbering:

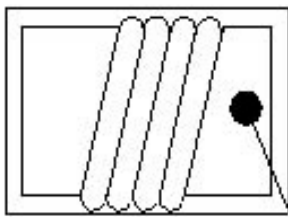


3 Rating:

Operating Temperature: $-25^{\circ}\text{C} \sim 105^{\circ}\text{C}$ (Including self - temperature rise)

Storage Temperature: $20^{\circ}\text{C} \sim 25^{\circ}\text{C}$ R.H. 65% (In Tape & Reel Condition)

4 Marking:



Ex Marking: 1st → Red

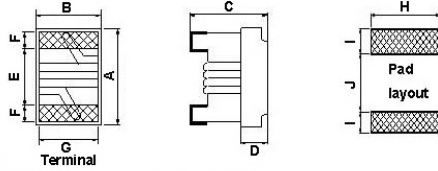
1st

5 Standard Testing Condition

	Unless otherwise specified	In case of doubt
Temperature	Ordinary Temperature (15 to 35°C)	20 to 30°C
Humidity	Ordinary Humidity (25 to 85% RH)	50 to 80 %RH

LD0805 Series Specification

6 Configuration and Dimensions:



Dimensions in mm

TYPE	A	B	C	D	E	F	G	H	I	J
LD0805	2.4 Max.	1.65 Max.	1.35 Max.	0.7	1.0	0.50	1.27	1.78	1.02	0.76

7 Electrical Characteristics:

Part No.	Inductance (μ H)	L/Q Test		Q Typ.	SRF (MHz)Min.	RDC (Ω) \pm 30%	IDC (mA)Typ.	Tolerance (\pm %)	Color Code 1st
		Inductance	Freq. (MHz)						
LD0805-4R7□-N	4.7	7.96	18	50	0.43	520	10	YEL	

NOTE: □-tolerance K= \pm 10%

1. Operating temperature range $-25^{\circ}\text{C} \sim 105^{\circ}\text{C}$ (Including self - temperature rise)

2. L/Q Test OSC @200mV.

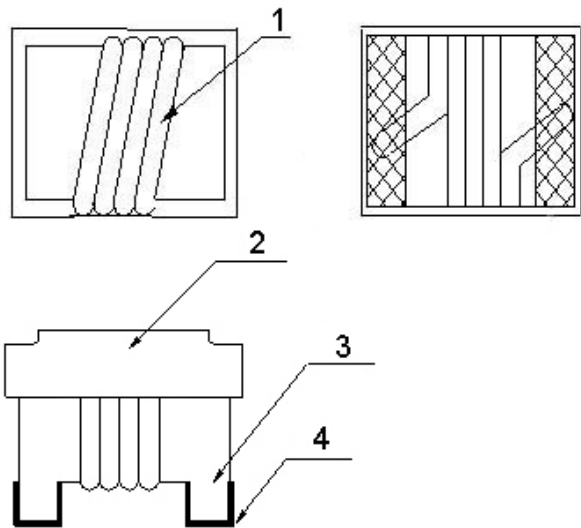
3. IDC for Inductance drop 10% from its value without current.

"-N" FOR COMPLETELY LEAD FREE TYPE (INCLUDING FERRITE BODY & SOLDER)

LD0805 Series Specification

8 LD0805 Series

8.1 Construction:



8.2 Material List:

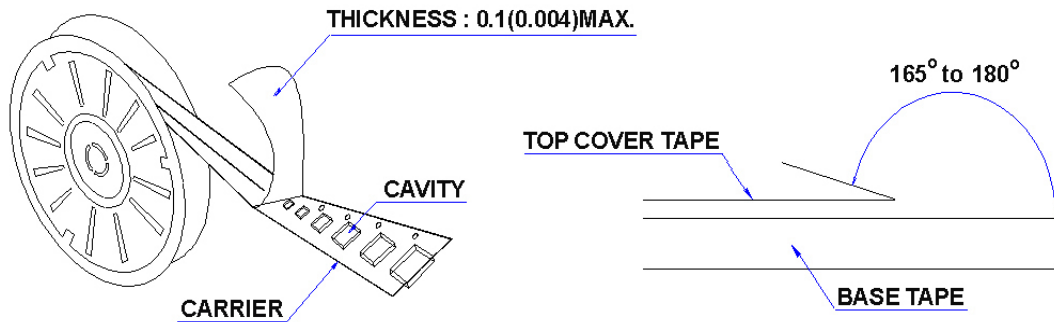
No	Part	Material
1	WIRE	Grade 180
2	EPOXY	UV GLUE
3	CORE	FERRITE
4	TERMINAL	Ag/Cu/Ni/Sn

LD0805 Series Specification

9 Packaging:

9.1 Packaging -Cover Tape

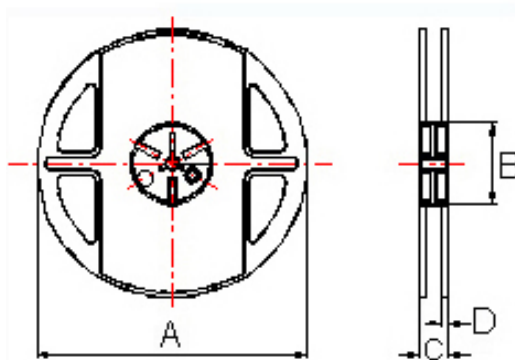
The force for tearing off cover tape is 10 to 100 grams in the arrow direction.



9.2 Packaging Quantity

TYPE	PCS/REEL
LD0805	2000

9.3 Reel Dimensions



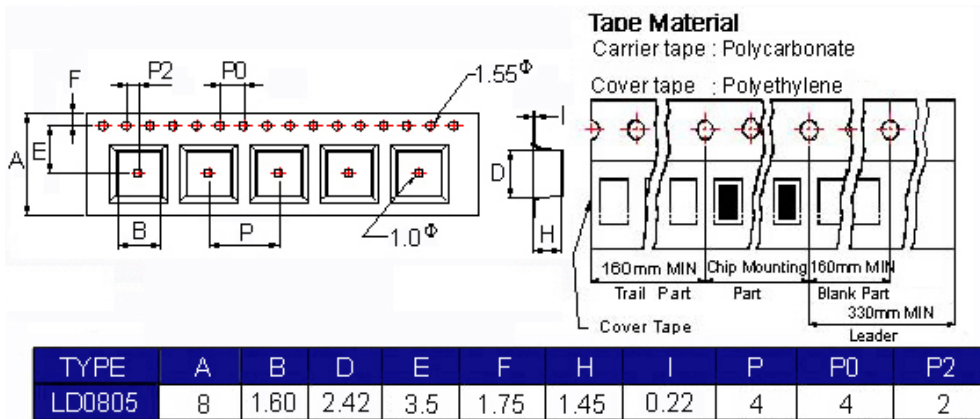
Reel Dimensions : m/m

TYPE	A	B	C	D
LD0805	178	60	12	1.5

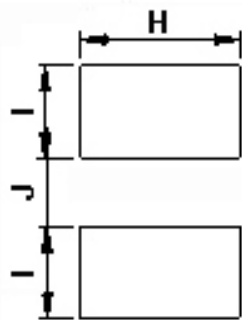
LD0805 Series Specification

9 Packaging:

9.4 Tape Dimensions in mm



10 Recommended Land Pattern:



Dimensions in mm

TYPE	H(in/mm)	I(in/mm)	J(in/mm)
LD0805	0.07/1.78	0.04/1.02	0.03/0.76

11 Note:

1. Please make sure that your product has been evaluated and confirmed against your specifications when our product is mounted to your product.
2. Do not knock nor drop.
3. All the items and parameters in this product specification have been prescribed on the premise that our product is used for the purpose, under the condition and in the environment agreed upon between you and us. You are requested not to use our product deviating from such agreement.
4. Please keep the distance between transformer/coil and other components (refer to the standard IEC 950)
5. The moisture sensitivity level (MSL) of products is classified as level 1.



ISO9001 ISO14001 IATF16949 CHILISIN ELECTRONICS CORP.

LD0805 Series Specification

12 Graph: LD0805-4R7K-N

