

**PLEASE CHECK WWW.MOLEX.COM FOR LATEST PART INFORMATION**

**Part Number:** [0449141401](#)  
**Status:** **Active**  
**Overview:** [microfit\\_30](#)  
**Description:** 3.00mm (.118") Pitch Micro-Fit 3.0 CPI™ Header, Compliant Pin Interface, Dual Row, Vertical, 14 Circuits, Tin (Sn) Plating, Glow Wire Compatible

**Documents:**

[3D Model](#) [Product Specification PS-43045 \(PDF\)](#)  
[Drawing \(PDF\)](#) [RoHS Certificate of Compliance \(PDF\)](#)

**Agency Certification**

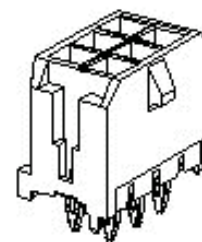
CSA LR19980  
TUV R72081037  
UL E29179

**General**

Product Family PCB Headers  
Series [44914](#)  
Application Wire-to-Board  
Application Tooling Part Link 622008400  
Comments Glow Wire Equivalent Part Number [449141401](#) . High Temperature, Square Pin  
Overview [microfit\\_30](#)  
Product Literature Order No USA-106  
Product Name Micro-Fit 3.0 CPI™

**Physical**

Breakaway No  
Circuits (Loaded) 14  
Circuits (maximum) 14  
Color - Resin Black  
Durability (mating cycles max) 30  
Flammability 94V-0  
Glow-Wire Compliant Yes  
Material - Metal High Performance Alloy (HPA)  
Material - Plating Mating Tin  
Material - Plating Termination Tin  
Material - Resin High Temperature Thermoplastic  
Number of Rows 2  
Orientation Vertical  
PCB Locator Yes  
PCB Retention Yes  
Packaging Type Tray  
Pitch - Mating Interface (in) 0.118 In  
Pitch - Mating Interface (mm) 3.00 mm  
Plating min: Mating (µin) 200  
Plating min: Mating (µm) 5  
Plating min: Termination (µin) 200  
Plating min: Termination (µm) 5  
Polarized to PCB Yes  
Shrouded Fully  
Stackable No  
Surface Mount Compatible (SMC) No  
Temperature Range - Operating -40°C to +105°C  
Termination Interface: Style Through Hole - Compliant Pin



Series

image - Reference only

**EU RoHS**

**ELV and RoHS Compliant**

**REACH SVHC**

**Contains SVHC: No**

**Halogen-Free**

**Status**

**Halogen-Free**

**China RoHS**



**Need more information on product environmental compliance?**

Email [productcompliance@molex.com](mailto:productcompliance@molex.com)  
For a multiple part number RoHS Certificate of Compliance, [click here](#)

Please visit the [Contact Us](#) section for any non-product compliance questions.

**Search Parts in this Series**

[44914Series](#)

**Mates With**

[43025-1400](#)

**Application Tooling | FAQ**

*Tooling specifications and manuals are found by selecting the products below. Crimp Height Specifications are then contained in the Application Tooling Specification document.*

**Global**

| Description         | Product #                  |
|---------------------|----------------------------|
| Micro-Fit™          | <a href="#">0622008400</a> |
| Compliant Pin       |                            |
| Insertion Flat Rock |                            |
| Tool                |                            |

**Electrical**

Current - Maximum per Contact

5A

Voltage - Maximum

250V

**Material Info****Reference - Drawing Numbers**

Packaging Specification

PK-70873-0314

Product Specification

PS-43045, RPS-43045-003, RPS-43045-004

Sales Drawing

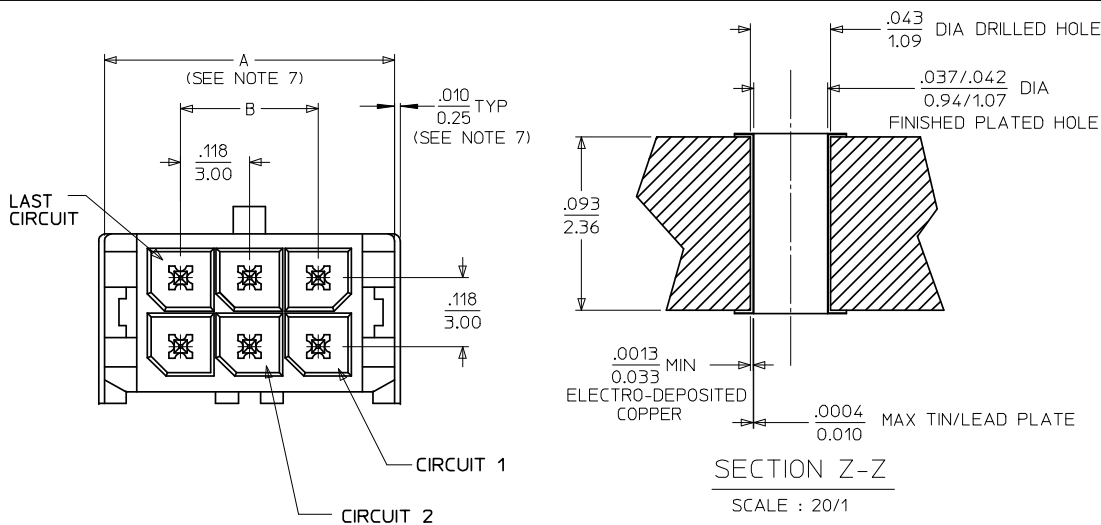
SD-44914-001

This document was generated on 05/24/2010

**PLEASE CHECK [WWW.MOLEX.COM](http://WWW.MOLEX.COM) FOR LATEST PART INFORMATION**

13 12 11 10 9 8 7 6 5 4 3 2 1

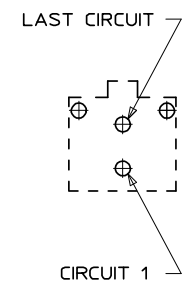
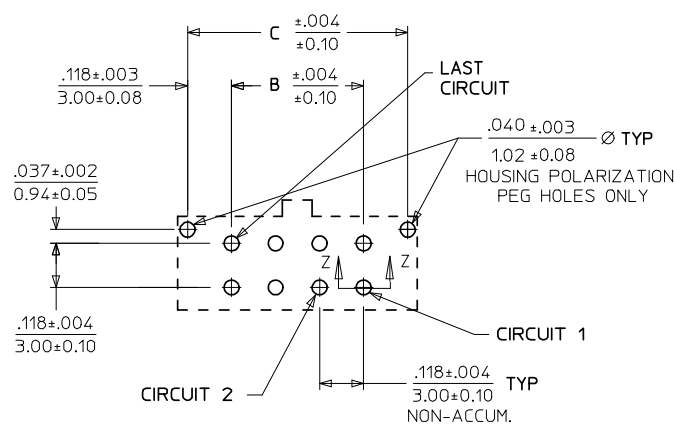
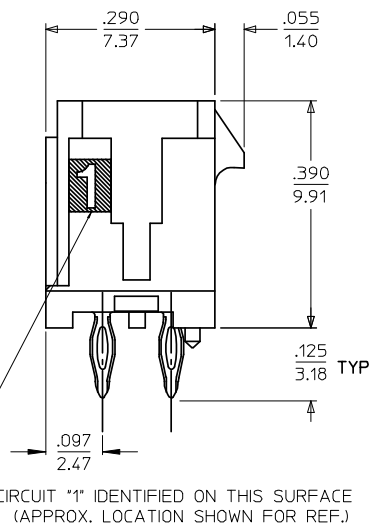
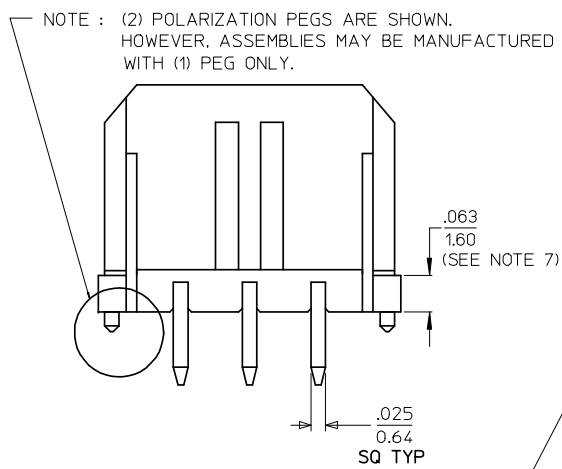
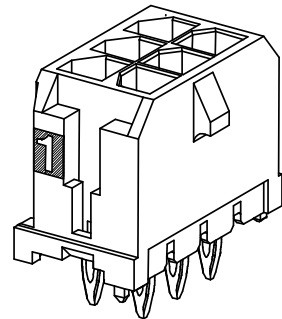
J  
I  
H  
G  
F  
E  
D  
C  
B  
A



|      | FINISH: A    | FINISH: B    | FINISH: C    |
|------|--------------|--------------|--------------|
| CKTS | MATERIAL NO: | MATERIAL NO: | MATERIAL NO: |
| 02   | 44914-0201   | 44914-0202   | 44914-0203   |
| 04   | 44914-0401   | 44914-0402   | 44914-0403   |
| 06   | 44914-0601   | 44914-0602   | 44914-0603   |
| 08   | 44914-0801   | 44914-0802   | 44914-0803   |
| 10   | 44914-1001   | 44914-1002   | 44914-1003   |
| 12   | 44914-1201   | 44914-1202   | 44914-1203   |
| 14   | 44914-1401   | 44914-1402   | 44914-1403   |
| 16   | 44914-1601   | 44914-1602   | 44914-1603   |
| 18   | 44914-1801   | 44914-1802   | 44914-1803   |
| 20   | 44914-2001   | 44914-2002   | 44914-2003   |
| 22   | 44914-2201   | 44914-2202   | 44914-2203   |
| 24   | 44914-2401   | 44914-2402   | 44914-2403   |

| CKTS | A<br>(SEE NOTE 7) | B              | C              |
|------|-------------------|----------------|----------------|
| 02   | .262<br>6.65      | NA             | .236<br>6.00   |
| 04   | .380<br>9.65      | .118<br>3.00   | .354<br>9.00   |
| 06   | .498<br>12.65     | .236<br>6.00   | .472<br>12.00  |
| 08   | .616<br>15.65     | .354<br>9.00   | .591<br>15.00  |
| 10   | .734<br>18.65     | .472<br>12.00  | .709<br>18.00  |
| 12   | .852<br>21.65     | .591<br>15.00  | .827<br>21.00  |
| 14   | .970<br>24.65     | .709<br>18.00  | .945<br>24.00  |
| 16   | 1.088<br>27.65    | .827<br>21.00  | 1.063<br>27.00 |
| 18   | 1.206<br>30.65    | .945<br>24.00  | 1.181<br>30.00 |
| 20   | 1.325<br>33.65    | 1.063<br>27.00 | 1.299<br>33.00 |
| 22   | 1.443<br>36.65    | 1.181<br>30.00 | 1.417<br>36.00 |
| 24   | 1.561<br>39.65    | 1.299<br>33.00 | 1.535<br>39.00 |

SECTION Z-Z  
SCALE : 20/1



PCB LAYOUT: COMPONENT SIDE  
RECOMMEND PCB THICKNESS: .093/2.36

PCB LAYOUT: 2 CKT HEADER

NOTES:

- HOUSING MATERIAL: GLASS FILLED LIQUID CRYSTAL POLYMER, UL94V-0, COLOR: BLACK  
TERMINAL MATERIAL: MODIFIED TIN/BRASS ALLOY
- FINISH: A = .000200/(0.0051) MIN. TIN OVER .000050/(0.0013) MIN. NICKEL PLATE.  
B = .000015/(0.00038) MINIMUM GOLD IN SELECTIVE AREA,  
.000060/(0.00152) MINIMUM TIN/LEAD (90/10) ON PCB TAILS,  
BOTH OVER .000050/(0.00127) MINIMUM NICKEL PLATE.  
C = .000030/(0.00076) MINIMUM GOLD IN SELECTIVE AREA,  
.000060/(0.00152) MINIMUM TIN/LEAD (90/10) ON PCB TAILS,  
BOTH OVER .000050/(0.00127) MINIMUM NICKEL PLATE.
- PRODUCT SPECIFICATION: PS-43045
- TRAY PACKAGED: SEE MOLEX DRAWING PK-70873-0314
- MATES WITH MICRO FIT (3.0) RECEPTACLE SERIES 43025
- HEADER INSTALLATION REQUIRES A MINIMUM FORCE OF 24LBS/(107 N) PER CIRCUIT DISTRIBUTED EQUALLY ACROSS THE ENTIRE HOUSING SURFACE.
- .010/0.25 OFFSETS ARE PRESENT ON ALL PARTS MANUFACTURED AFTER 11/1/2007, AND ON PARTS PRIOR TO 11/1/2007 THAT CONTAIN A GREEN DOT ON THE PRIMARY SHIPPING CARTON LABEL.
- THIS PART CONFORMS TO CLASS B REQUIREMENTS OF COSMETIC SPECIFICATION PS-45499-002.

| ADD .097 DIM. NOTE 8<br>EC NO: UCP2008-0324<br>DRWN:MKI/PPER 2007/12/19<br>CHKD:SSOUSEK 2007/12/20<br>APPR:FSMLTH 2007/12/21 | QUALITY SYMBOLS<br>▽=0<br>▽=0 | GENERAL TOLERANCES (UNLESS SPECIFIED)<br><table border="1"> <tr> <th></th> <th>mm</th> <th>INCH</th> </tr> <tr> <td>4 PLACES</td> <td>±---</td> <td>±---</td> </tr> <tr> <td>3 PLACES</td> <td>±---</td> <td>±.010</td> </tr> <tr> <td>2 PLACES</td> <td>±0.25</td> <td>±.014</td> </tr> <tr> <td>1 PLACE</td> <td>±0.36</td> <td>±---</td> </tr> </table> |                    | mm   | INCH                         | 4 PLACES            | ±--- | ±--- | 3 PLACES | ±--- | ±.010 | 2 PLACES | ±0.25 | ±.014 | 1 PLACE | ±0.36 | ±--- | DIMENSION STYLE<br>IN/MM | SCALE<br>--- | DESIGN UNITS<br>METRIC | THIRD ANGLE PROJECTION |
|--|-------------------------------|--|--------------------|--|------------------------------|---------------------|------|------|----------|------|-------|----------|-------|-------|---------|-------|------|--------------------------|--------------|------------------------|------------------------|
|  |                               | mm   | INCH               |  |                              |                     |      |      |          |      |       |          |       |       |         |       |      |                          |              |                        |                        |
|  | 4 PLACES                      | ±---   | ±---               |  |                              |                     |      |      |          |      |       |          |       |       |         |       |      |                          |              |                        |                        |
|  | 3 PLACES                      | ±---   | ±.010              |  |                              |                     |      |      |          |      |       |          |       |       |         |       |      |                          |              |                        |                        |
| 2 PLACES   | ±0.25                         | ±.014  |                    |  |                              |                     |      |      |          |      |       |          |       |       |         |       |      |                          |              |                        |                        |
| 1 PLACE  | ±0.36                         | ±---   |                    |  |                              |                     |      |      |          |      |       |          |       |       |         |       |      |                          |              |                        |                        |
|  |                               | DRAWN BY<br>BURLERSON 2001/08/30   | DATE<br>2001/08/30 | TITLE<br>MICRO FIT HEADER<br>VERTICAL COMPLIANT PIN<br>TRAY PACKED |                              |                     |      |      |          |      |       |          |       |       |         |       |      |                          |              |                        |                        |
|  |                               | CHECKED BY<br>MUELLER 2001/08/30   | DATE<br>2001/08/30 | MOLEX MOLEX INCORPORATED   |                              |                     |      |      |          |      |       |          |       |       |         |       |      |                          |              |                        |                        |
|  |                               | APPROVED BY<br>MARGULIS 2001/08/30   | DATE<br>2001/08/30 | MATERIAL NO.<br>SEE CHART  | DOCUMENT NO.<br>SD-44914-001 | SHEET NO.<br>1 OF 1 |      |      |          |      |       |          |       |       |         |       |      |                          |              |                        |                        |

DRAFT WHERE APPLICABLE MUST REMAIN WITHIN DIMENSIONS  
 THIS DRAWING CONTAINS INFORMATION THAT IS PROPRIETARY TO MOLEX INCORPORATED AND SHOULD NOT BE USED WITHOUT WRITTEN PERMISSION

12 11 10 9 8 7 6 5 4 3 2 1