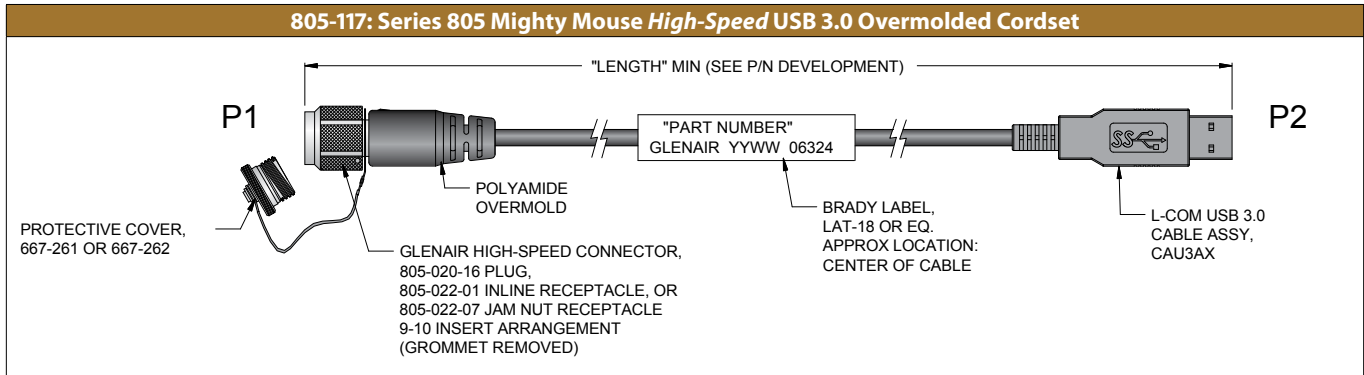




Series 805 USB 3.0 Cordsets

Mighty Mouse *High-Speed* Connector with Triple-Start ACME Threads to Industry Standard USB 3.0 Connector
805-117 Ordering Information

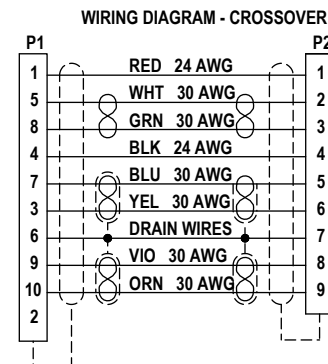
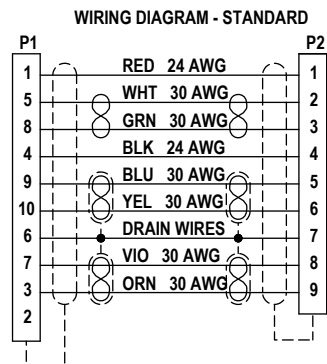


How To Order	
Sample Part Number	805-117 -A NF N A -48 X
Series	805-117 = Series 805 Mighty Mouse to USB 3.0 Overmolded Cordset.
P1 Connector	-A = Plug with Pin Contacts -B = Plug with Socket Contacts -C = Receptacle with Pin Contacts -D = Receptacle with Socket Contacts
Shell Material / Finish	M = Aluminum / Electroless Nickel RoHS Compliant NF = Aluminum / Cadmium with Olive Drab Chromate ZNU = Aluminum / Zinc-Nickel with Black Chromate MT = Aluminum / Nickel-PTFE, RoHS Compliant Z1 = Stainless Steel / Passivated RoHS Compliant
Protective Cover	P = Metal Protective Covers Included N = No Covers Supplied
Shell Key Position (See Table I)	A (Normal), B, C, D, E, F
Length	Overall Length In Inches 115" Max
Wiring	X = Crossover (Omit for Standard)

Table I: Shell Key Positions

Key Position	Key Rotation	
	A°	B°
Normal (A)	150°	210°
B	75°	210°
C	95°	230°
D	140°	275°
E	75°	275°
F	95°	210°

R



Dimensions in Inches (millimeters) are subject to change without notice.