

Feature:

- Diffused lens
- Package in bulk pack (Available in tape and reel)
- Super bright 3mm round lamp
- InGaN technology for IB/IG/IW
- AllnGaP technology for R/O/Y/AG
- 40° viewing angle

Description:

These super bright 3mm round type lamps with 5.32mm lens height are suitable for all applications requiring higher brightness.

Application:

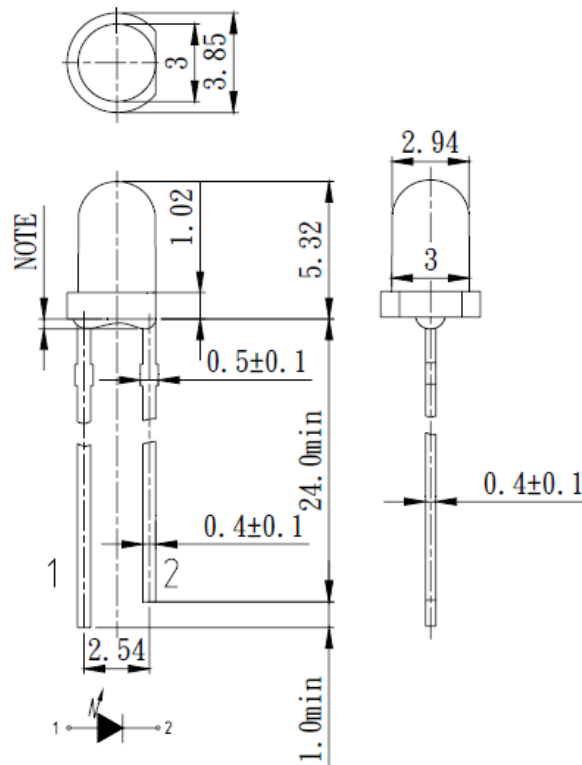
- General purpose indicator application
- Electronic signs and electronics board
- LED lighting

Certification & Compliance:

- TS16949
- ISO9001
- RoHS Compliant



Dimension:



Units: mm / tolerance = +/-0.25mm

Electrical / Optical Characteristic

(T=25 °C)

Product	Color	I _F (mA)	V _F (V)		λ _D (nm)		I _V (mcd)	
			Typ.	Max.	Min.	Max.	Min.	Typ.
QBL7IB40D	Blue	20	3.2	3.8	462	472	460	900
QBL7IW40D	White	20	3.2	3.8	X=0.305 Y=0.312	--	2800	5000
QBL7IG40D	Green	20	3.2	3.8	520	530	2800	5000
QBL7R40D	Red	20	2.0	2.6	620	630	350	700
QBL7O40D	Orange	20	2.0	2.6	601	612	600	1000
QBL7Y40D	Yellow	20	2.0	2.6	585	597	350	620
QBL7AG40D	Yellow Green	20	2.0	2.6	564	576	210	380

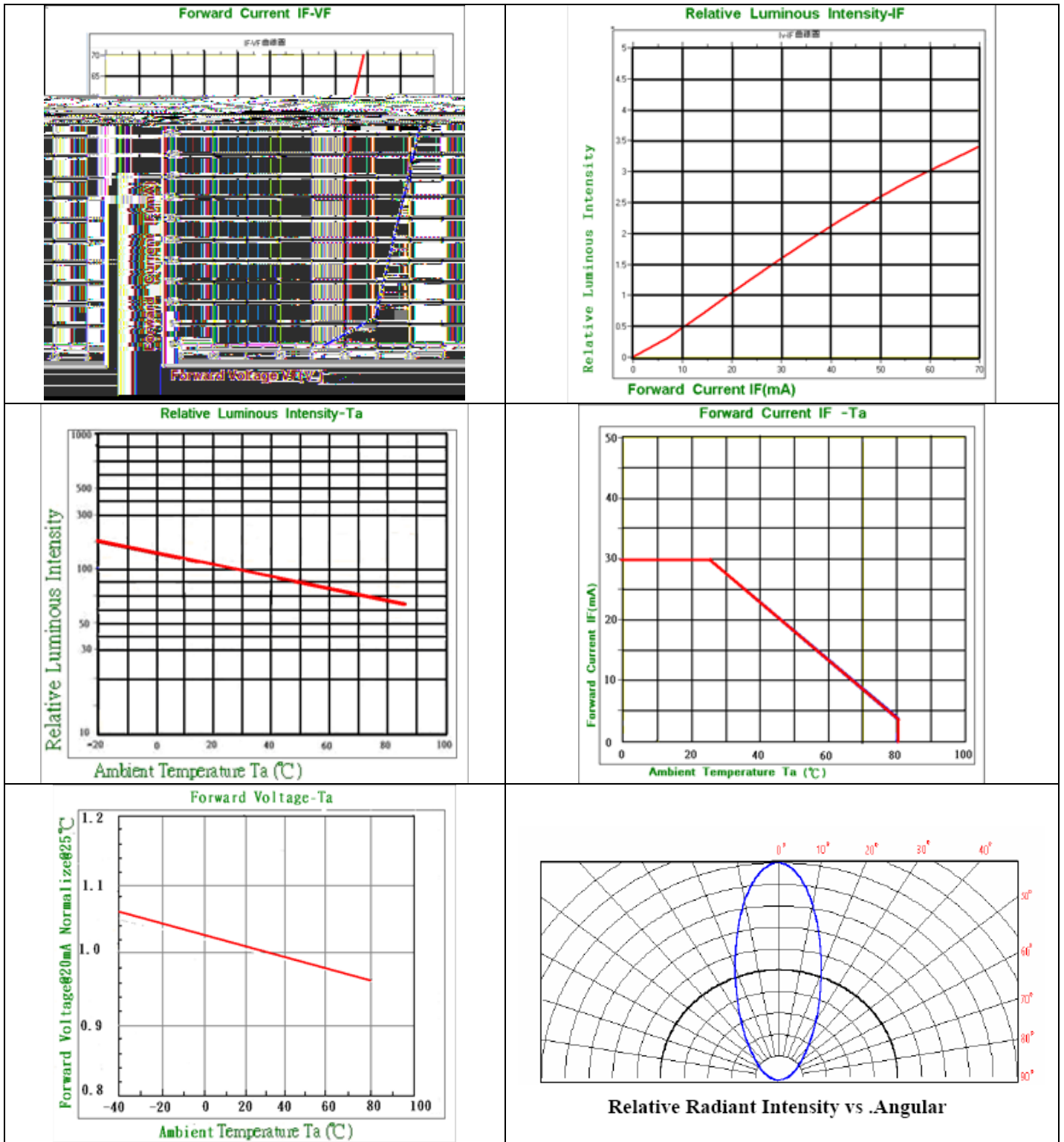
Absolute Maximum Rating

Material	P _d (mW)	I _F (mA)	I _{FP} * (mA)	V _R (V)	T _{OP} (°C)	T _{ST} (°C)
InGaN (IB/IW/IG)	110	30	100	5	-30 to + 80	-40 to +100
AllnGaP (R/O/Y/AG)	80	30	100	5	-30 to + 80	-40 to +100

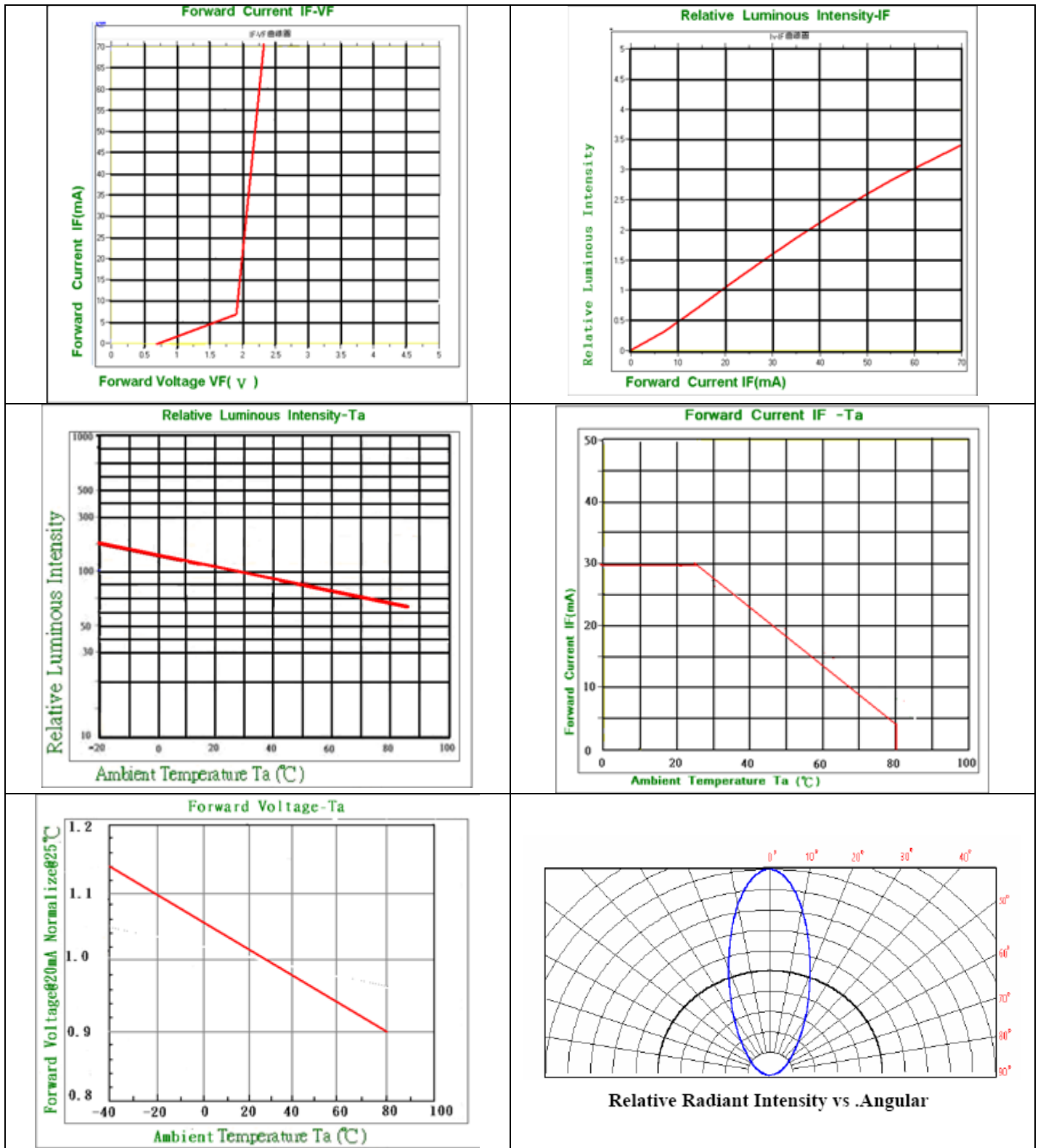
*Duty 1/10 @ 1KHz

** Wave Soldering for no more than 5 sec @ 260 °C

Characteristic Curves: (InGaN)



Characteristic Curves: (AlInGaP)



Ordering Information:

Part #	Orderable Part #	Spec Range	Quantity per bag
QBL7IB40D	QBL7IB40D	I _v = 900mcd typ., λ _D = 470nm	TBD
QBL7IW40D	QBL7IW40D	I _v = 5000mcd typ., (X = 0.305, Y = 0.312)	TBD
QBL7IG40D	QBL7IG40D	I _v = 5000mcd typ., λ _D = 525nm	TBD
QBL7R40D	QBL7R40D	I _v = 700mcd typ., λ _D = 625nm	TBD
QBL7O40D	QBL7O40D	I _v = 1000mcd typ., λ _D = 605nm	TBD
QBL7Y40D	QBL7Y40D	I _v = 620mcd typ., λ _D = 590nm	TBD
QBL7AG40D	QBL7AG40D	I _v = 380mcd typ., λ _D = 570nm	TBD

Revision History:

Description:	Revision #	Revision Date
New Release of QBL7XX40D_series	V1.0	06/25/2011