

PRODUCT NUMBER

75869-YXXLF

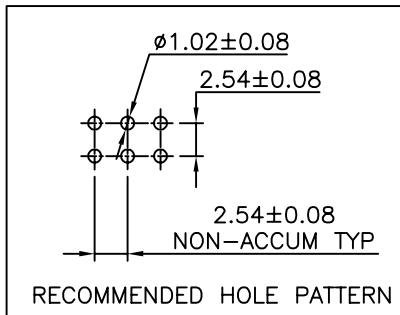
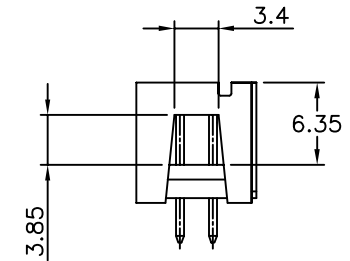
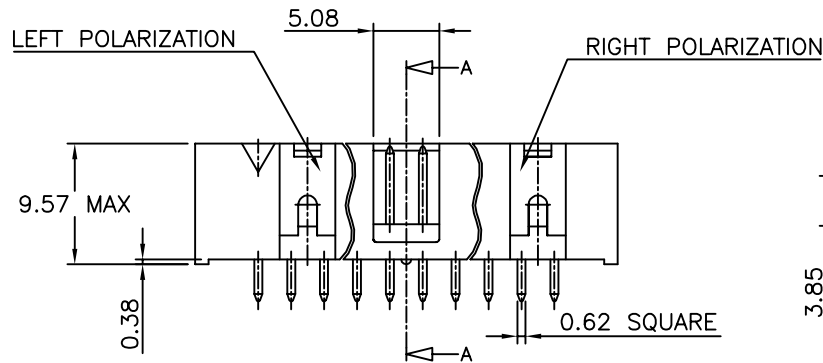
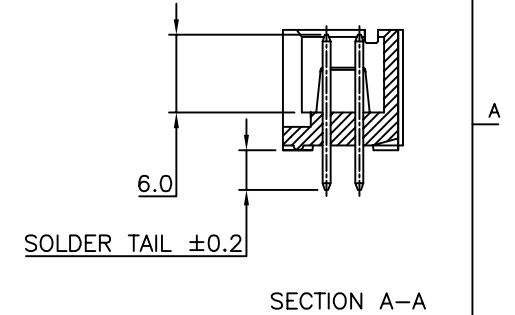
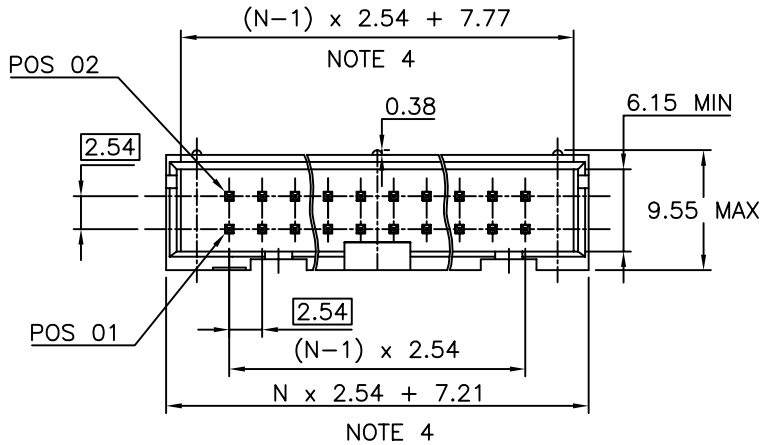
WHEN REQUIRED, ADD SUFFIX LETTER "LF" INDICATES THE PRODUCT IS RoHS COMPATIBLE, SEE NOTE 5

PIN STYLE, SEE SHEET 2 & 3.

PLATING SEE SHEET 2 & 3.

NOTES:

- 1 - HOUSING MAT'L : GLASS FILLED THERMOPLASTIC. UL94V-0 COLOR: BLUE
- 2 - PIN MATERIAL : PHOSPHOR BRONZE
- 3 - PRODUCT PACKAGED IN TUBES.
- 4 - TO DETERMINE DIMENSIONS :
N = NUMBER OF POSITIONS PER ROW
EXAMPLE : 8 POS N x 2.54 = 20.32mm
- 5 - RoHS COMPATIBLE PRODUCT SPECIFICATIONS
 - a - PLATING:
 - "LF" MEANS THE PRODUCT IS LEAD-FREE, 2µm MINIMUM MATTE TIN OVER 1.27µm MINIMUM NICKEL UNDERPLATE.
 - b - MANUFACTURING PROCESS COMPATIBILITY
 - THE HOUSING WILL WITHSTAND EXPOSURE TO 260°C ±5°C SOLDER BATH TEMPERATURE FOR 5 SECONDS IN A WAVE SOLDER APPLICATION WITH A 1.6mm MIN THICK CIRCUIT BOARD.
 - c - LABELLING:
 - MEETS PACKAGING SPECS AS PER GS-14-920
 - d - LEGAL STATEMENT: SEE GS-22-008



| | | | | | | | | | | |
|--------------------------|----------|-----|----------|--|------------|----------|------------------|----------------|--|--------|
| mat'l. code SEE NOTES | | | | tolerances unless otherwise specified | | | CUSTOMER COPY | | ELECTRONICS www.fciconnect.com | |
| ltr | ecn no | dr | date | linear | .x ±0.3 | | projection | title | | |
| AU | F00105 | LMU | 00.01.18 | | .xx ±0.13 | | | SHR.LP.HEADER | | |
| AV | F10120 | DLE | 01.01.24 | | .xxx ±0.05 | | | STR DR TMT | | |
| AW | F10715 | JCO | 01.11.30 | angles | | | mm | product family | | code |
| AX | F20138 | LMU | 02.02.07 | dr | D.LE | 01.01.24 | | QUICKIE | | 213 |
| AY | F03080 | LMU | 03.04.04 | eng | JM.C | 01.01.24 | | size | | dwg no |
| BA | F04-0167 | JCO | 04.04.05 | chr | JF.N | 01.01.24 | scale | A3 | | 75869 |
| BB | F04-0389 | JCO | 04.09.16 | appd | JM.C | 01.01.24 | | sheet | | 1 of 3 |
| sheet | revision | BB | AY | B | | | | | | |
| index | sheet | 1 | 2 | 3 | | | | | | |

This data sheet is reserved. Reproduction or communication in any form is not permitted without written authority from the Property of FCI Electronics S.A.

CORE RANGE

CATALOGUE RANGE

| PIN STYLE | NUMBER OF POSITIONS | SOLDER TAIL REF | LEFT POLARIZATION | RIGHT POLARIZATION |
|-----------|---------------------|-----------------|-------------------|--------------------|
| 30 | 2 x 2 | 3.05 | NO | NO |
| 31 | 2 x 3 | 3.05 | NO | NO |
| 32 | 2 x 4 | 3.05 | NO | NO |
| 01 | 2 x 5 | 3.05 | NO | YES |
| 02 | 2 x 7 | 3.05 | NO | YES |
| 03 | 2 x 8 | 3.05 | YES | YES |
| 04 | 2 x 10 | 3.05 | YES | YES |
| 05 | 2 x 13 | 3.05 | YES | YES |
| 33 | 2 x 15 | 3.05 | YES | YES |
| 06 | 2 x 17 | 3.05 | YES | YES |
| 07 | 2 x 20 | 3.05 | YES | YES |
| 08 | 2 x 25 | 3.05 | YES | YES |
| 09 | 2 x 30 | 3.05 | YES | YES |
| 10 | 2 x 32 | 3.05 | YES | YES |

| PIN STYLE | NUMBER OF POSITIONS | SOLDER TAIL REF | LEFT POLARIZATION | RIGHT POLARIZATION |
|-----------|---------------------|-----------------|-------------------|--------------------|
| 30 | 2 x 2 | 3.05 | NO | NO |
| 31 | 2 x 3 | 3.05 | NO | NO |
| 32 | 2 x 4 | 3.05 | NO | NO |
| 01 | 2 x 5 | 3.05 | NO | YES |
| 02 | 2 x 7 | 3.05 | NO | YES |
| 03 | 2 x 8 | 3.05 | YES | YES |
| 04 | 2 x 10 | 3.05 | YES | YES |
| 05 | 2 x 13 | 3.05 | YES | YES |
| 33 | 2 x 15 | 3.05 | YES | YES |
| 06 | 2 x 17 | 3.05 | YES | YES |
| 07 | 2 x 20 | 3.05 | YES | YES |
| 08 | 2 x 25 | 3.05 | YES | YES |
| 09 | 2 x 30 | 3.05 | YES | YES |
| 10 | 2 x 32 | 3.05 | YES | YES |

PLATING :

- 1 = 0.76µm Au ON CONTACT AREA, 3.81µm SnPb ON TAILS OVER 1.27µm Ni MIN.
- WHEN SUFFIX LETTER "LF" IS REQUIRED, 2µm MIN MATTE TIN OVER 1.27µm MIN Ni IS PROVIDED INSTEAD OF TIN-LEAD.

PLATING :

- 2 = 3.81µm SnPb OVER 1.27µm Ni MIN
- 3 = 0.38µm GOLD ON CONTACT AREA 3.81µm SnPb ON TAILS OVER 1.27µm Ni MIN
- WHEN SUFFIX LETTER "LF" IS REQUIRED, 2µm MIN MATTE TIN OVER 1.27µm MIN Ni IS PROVIDED INSTEAD OF TIN-LEAD

Tous droits réservés. Toute réimpression ou communication sans autorisation écrite de FCI Electronics S.A. est formellement interdite.

All rights reserved. Reproduction or use in any form without written authority from the Property of FCI Electronics S.A.



ELECTRONICS
www.fciconnect.com

| | | | | | | | |
|-------------|----------------|---------------------------------------|----------|---------------|------------|------------------------|--------|
| mat'l. code | | tolerances unless otherwise specified | | CUSTOMER COPY | | | |
| ltr | ecn no | dr | date | linear | projection | title | |
| AU | F00105 | LMU | 00.01.18 | | | SHR.LP.HEADER | |
| AV | F10120 | DLE | 01.01.24 | angles | | STR DR TMT | |
| AW | F10715 | JCO | 01.11.30 | | | product family QUICKIE | |
| AX | F20138 | LMU | 02.02.07 | dr | D.LE | 01.01.24 | code |
| AY | F04-0389 | JCO | 04.12.22 | eng | JM.C | 01.01.24 | 213 |
| | | | | chr | JF.N | 01.01.24 | sheet |
| | | | | app | JM.C | 01.01.24 | 2 of - |
| sheet index | revision sheet | | | | | | |

APPLICATION SPECIFIC

| PIN STYLE | NUMBER OF POSITIONS | SOLDER TAIL REF | PIN MISSING | LEFT POLARIZATION | RIGHT POLARIZATION |
|-----------|---------------------|-----------------|--------------|-------------------|--------------------|
| 44 | 2x03 | 3.05 | PIN 2 | NO | NO |
| 40 | 2x03 | 3.05 | PIN 6 | NO | NO |
| 51 | 2x03 | 7.60 | | NO | NO |
| 41 | 2x04 | 3.05 | PIN 1 | NO | NO |
| 55 | 2x04 | 3.05 | PIN 8 | NO | NO |
| 59 | 2x05 | 3.05 | PIN 1,2,9,10 | NO | YES |
| 37 | 2x07 | 3.05 | PIN 1 | NO | YES |
| 13 | 2x07 | 3.05 | PIN 3 | NO | YES |
| 14 | 2x07 | 3.05 | PIN 5 | NO | YES |
| 46 | 2x07 | 3.05 | PIN 6 | NO | YES |
| 12 | 2x07 | 3.05 | PIN 7 | NO | YES |
| 57 | 2x07 | 3.05 | PIN 12 | NO | YES |
| 11 | 2x07 | 3.05 | PIN 13 | NO | YES |
| 56 | 2x07 | 3.05 | PIN 14 | NO | YES |
| 43 | 2x08 | 3.05 | PIN 6 & 7 | YES | YES |
| 38 | 2x10 | 3.05 | PIN 2 | YES | YES |
| 34 | 2x10 | 3.05 | PIN 15 | YES | YES |
| 58 | 2x10 | 3.05 | PIN 18 | YES | YES |
| 35 | 2x13 | 3.05 | PIN 26 | YES | YES |
| 25 | 2x13 | 7.60 | | YES | YES |
| 54 | 2x15 | 7.60 | | YES | YES |
| 19 | 2x15 | 4.1 | | YES | YES |
| 17 | 2x17 | 3.05 | PIN 3 | YES | YES |
| 39 | 2x17 | 3.05 | PIN 5 | YES | YES |
| 26 | 2x17 | 7.60 | | YES | YES |
| 15 | 2x20 | 3.05 | PIN 8 | YES | YES |
| 16 | 2x20 | 3.05 | PIN 17 | YES | YES |
| 18 | 2x20 | 3.05 | PIN 20 | YES | YES |
| 36 | 2x20 | 3.05 | PIN 37 | YES | YES |
| 45 | 2x20 | 3.05 | PIN 25,27,28 | YES | YES |
| 27 | 2x20 | 7.60 | | YES | YES |
| 42 | 2x25 | 3.05 | PIN 25 | YES | YES |
| 28 | 2x25 | 7.60 | | YES | YES |

PLATING :

- 1 = 0.76µm Au ON CONTACT AREA, 3.81µm SnPb ON TAILS OVER 1.27µm Ni MIN.
- 2 = 3.81µm SnPb OVER 1.27µm Ni MIN
- 3 = 0.38µm GOLD ON CONTACT AREA 3.81µm SnPb ON TAILS OVER 1.27µm Ni MIN
- WHEN SUFFIX LETTER "LF" IS REQUIRED, 2µm MIN MATTE TIN OVER 1.27µm MIN Ni IS PROVIDED INSTEAD OF TIN-LEAD.

Tous droits réservés. Toute réimpression ou communication sans autorisation écrite de FCI Electronics S.A. est formellement interdite.

All rights reserved. Reproduction or reuse in any form without written authority from FCI Electronics S.A. is expressly prohibited.



ELECTRONICS
www.fciconnect.com

| | | | | | | | |
|-------------|----------------|---------------------------------------|----------|---------------|------------|--------------------|--------|
| mat'l. code | | tolerances unless otherwise specified | | CUSTOMER COPY | | ELECTRONICS | |
| ltr | ecn no | dr | date | linear | projection | title | |
| A | F20138 | LMU | 02.02.07 | | | SHR.LP.HEADER | |
| B | F04-0389 | JCO | 04.12.22 | angles | | STR DR TMT | |
| | | | | dr | mm | product family | code |
| | | | | eng | | QUICKIE | 213 |
| | | | | chr | | size | sheet |
| | | | | app | | dwg no | 3 of - |
| sheet index | revision sheet | | | scale | N/A | A3 | 75869 |