

**PLEASE CHECK WWW.MOLEX.COM FOR LATEST PART INFORMATION**

**Part Number:** [0545601601](#)  
**Status:** **Active**  
**Overview:** [qf50](#)  
**Description:** 2.54mm (0.100") Pitch QF-50™ Flat Ribbon Cable Receptacle Upper Housing, 16 Circuits

**Documents:**

[Drawing \(PDF\)](#) [Product Specification PS-54559-005 \(PDF\)](#)  
[Product Specification PS-54559-004 \(PDF\)](#) [RoHS Certificate of Compliance \(PDF\)](#)

**General**

|                               |                           |
|-------------------------------|---------------------------|
| Product Family                | Accessories               |
| Series                        | <a href="#">54560</a>     |
| Application Tooling Part Link | <a href="#">572525000</a> |
| Application Tooling Part Link | <a href="#">572527000</a> |
| Component Type                | Housing                   |
| Overview                      | <a href="#">qf50</a>      |
| Product Name                  | QF-50™                    |

**Physical**

|                               |                |
|-------------------------------|----------------|
| Circuits (Loaded)             | 16             |
| Color - Resin                 | Black          |
| Material - Resin              | Polyester      |
| Number of Rows                | 2              |
| Packaging Type                | Tray           |
| Temperature Range - Operating | -40°C to +85°C |

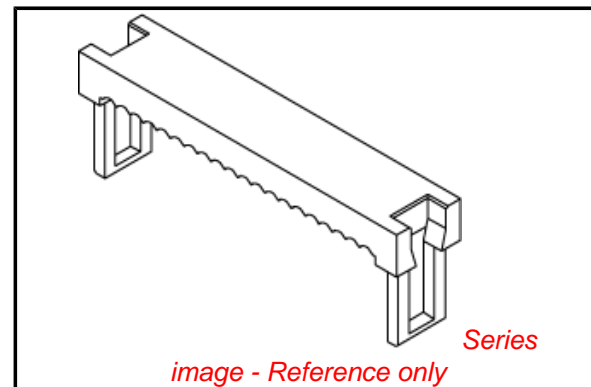
**Electrical**

|                               |    |
|-------------------------------|----|
| Current - Maximum per Contact | 1A |
|-------------------------------|----|

**Material Info**

**Reference - Drawing Numbers**

|                       |   |
|-----------------------|---|
| Product Specification | PS-54559-004, PS-54559-005, RPS-54559-008, RPS-54559-010, RPS-54559-012, RPS-54559-014, RPS-54559-015, RPS-54559-016, RPS-54559-017 |
| Sales Drawing         | SD-54560-002, SD-54561-002  |



**EU RoHS**

**ELV and RoHS Compliant**  
**REACH SVHC Contains SVHC: No**  
**Halogen-Free Status**

**China RoHS**



**Need more information on product environmental compliance?**

Email [productcompliance@molex.com](mailto:productcompliance@molex.com)  
 For a multiple part number RoHS Certificate of Compliance, [click here](#)

Please visit the [Contact Us](#) section for any non-product compliance questions.

**Search Parts in this Series**

[54560Series](#)

**Use With**

[54561](#) Strain Relief, [54559](#) Receptacle Housing

**Application Tooling | FAQ**

*Tooling specifications and manuals are found by selecting the products below. Crimp Height Specifications are then contained in the Application Tooling Specification document.*

**Japan**

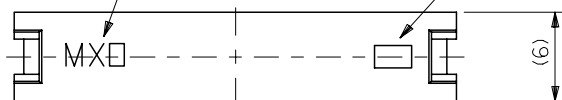
| Description                              | Product #                  |
|--|----------------------------|
| IDT Hand Tool Assembly For MIL Connector | <a href="#">0572525000</a> |
| IDT Machine For MIL IDT Connector        | <a href="#">0572527000</a> |

**PLEASE CHECK [WWW.MOLEX.COM](http://WWW.MOLEX.COM) FOR LATEST PART INFORMATION**

10 9 8 7 6 5 4 3 2 1

△トレードマーク  
TRADE MARK

△キャビティ番号、金型番号  
CAVITY NO. & MOLD NO.

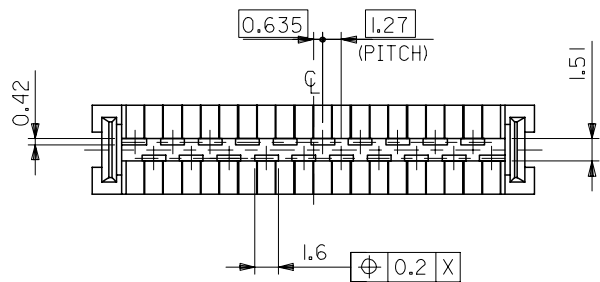
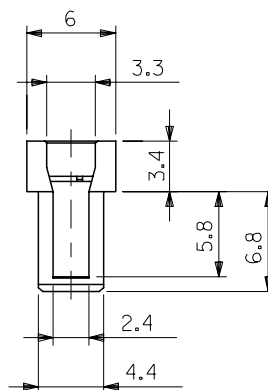
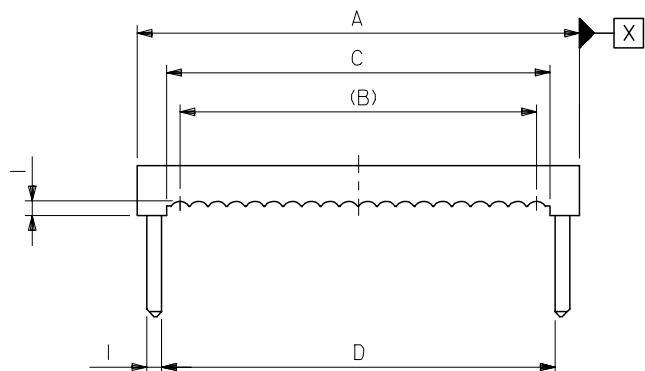


注記  
NOTES

- 1. 適合ハウジングアッセンブリ : 54559-\*\*\*I, 54559-\*\*\*4I  
APPLICABLE UPPER HSG ASS'Y : 54559-\*\*\*I, 54559-\*\*\*4I  
適合ストレーンリリーフ : 54561-\*\*\*\*  
APPLICABLE STRAIN RELIEF : 54561-\*\*\*0I

△トレードマーク : MX プラス 製造工場を示すアルファベットにて構成  
但し、"J" は JAPAN を示す。(例 : MX J)  
キャビティ番号 : 数字で表示。  
金型番号 : アルファベットにて構成。

FORMED BY MX AND ALPHABET WHICH MEAN  
THE MANUFACTORY, BUT "J" MEANS JAPAN. (TO TRADE MARK)  
(e.g. MXJ)  
AND BY NUMBERS (TO CAVITY NO.)  
AND BY ALPHABET (TO MOLD NO.)



|       |       |       |       |              |      |
|-------|-------|-------|-------|--------------|------|
| 82.51 | 81.48 | 80.01 | 85.85 | 54560-640I   | 64   |
| 77.43 | 76.4  | 74.93 | 80.77 | 54560-600I   | 60   |
| 64.73 | 63.7  | 62.23 | 68.07 | 54560-500I   | 50   |
| 52.03 | 51    | 49.53 | 55.37 | 54560-400I   | 40   |
| 44.41 | 43.38 | 41.91 | 47.75 | 54560-340I   | 34   |
| 39.33 | 38.3  | 36.83 | 42.67 | 54560-300I   | 30   |
| 34.25 | 33.22 | 31.75 | 37.59 | 54560-260I   | 26   |
| 26.63 | 25.6  | 24.13 | 29.97 | 54560-200I   | 20   |
| 21.55 | 20.52 | 19.05 | 24.89 | 54560-160I   | 16   |
| 19.01 | 17.98 | 16.51 | 22.35 | 54560-140I   | 14   |
| 13.93 | 12.9  | 11.43 | 17.27 | 54560-100I   | 10   |
| D     | C     | B     | A     | MATERIAL NO. | CKT. |

MATERIAL

PBT, UL94V-0 (黒色)  
(COLOR : BLACK)

REVISED  
EC NO: J2007-2853  
DRWN: MABEI 2007/04/13  
CHKD: MAEDA 2007/04/13  
APPR: NUKITA 2007/04/13

GENERAL TOLERANCES  
(UNLESS SPECIFIED)

|                  |       |
|------------------|-------|
| 10 UNDER         | ±0.2  |
| 10 OVER 30 UNDER | ±0.25 |
| 30 OVER          | ±0.3  |
| ANGULAR          | ±3 °  |

DRAFT WHERE APPLICABLE  
MUST REMAIN  
WITHIN DIMENSIONS

DIMENSION STYLE  
MM ONLY

DRAWN BY DATE  
S. MATSUZAKI '99/03/04  
CHECKED BY DATE  
S. KUNISHI '03/08/06  
APPROVED BY DATE  
T. YAMAGUCHI '03/08/06

MATERIAL NO.

SEE CHART

SIZE  
A3

SCALE  
3:1

DESIGN UNITS  
METRIC

TITLE  
2.54 FLAT CABLE CONN  
UPPER HSG

MOLEX INCORPORATED

DOCUMENT NO.  
SD-54560-002

SHEET NO.  
1 OF 1

THIS DRAWING CONTAINS INFORMATION THAT IS PROPRIETARY TO MOLEX  
INCORPORATED AND SHOULD NOT BE USED WITHOUT WRITTEN PERMISSION

10 9 8 7 6 5 4 3 2 1

F

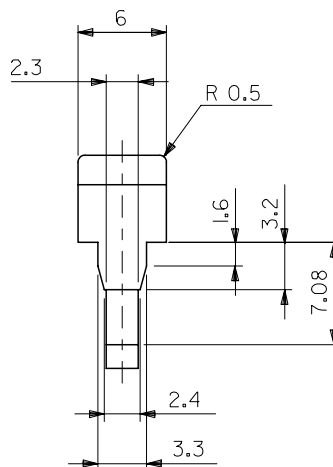
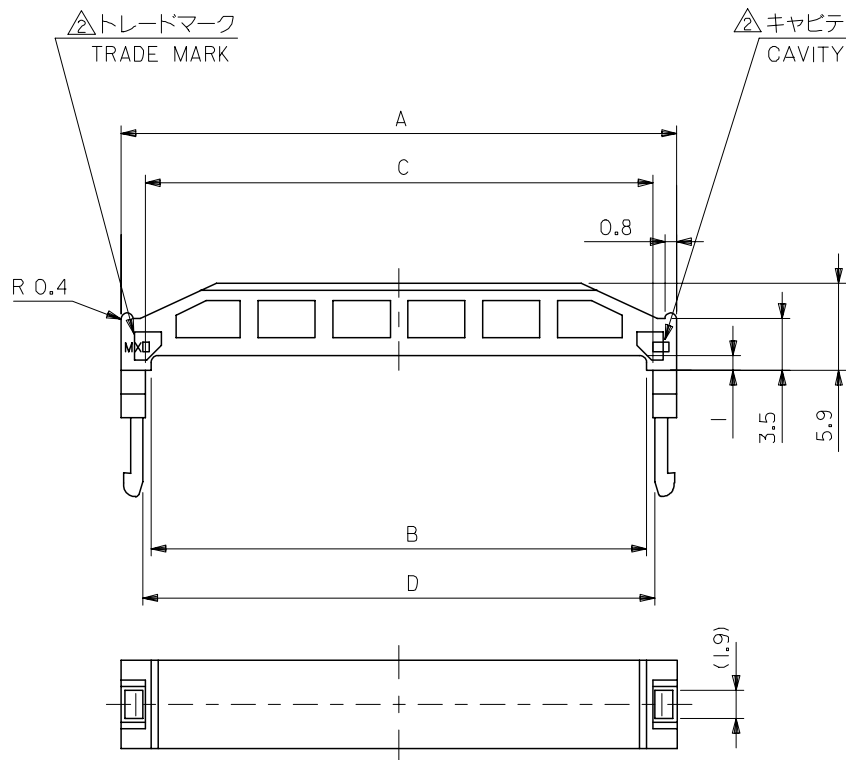
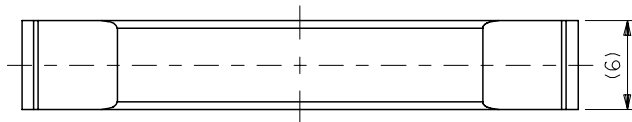
E

D

C

B

A



注記  
NOTES

- 1. 適合ハウジングアッセンブリ : 54559-\*\*\*I, 54559-\*\*\*4I  
 APPLICABLE UPPER HSG ASS'Y : 54559-\*\*\*I, 54559-\*\*\*4I  
 適合アッパーハウジング : 54560-\*\*\*0I  
 APPLICABLE STRAIN RELIEF : 54560-\*\*\*0I

△ トレードマーク : MX プラス 製造工場を示すアルファベットにて構成  
 但し、\* J \* は JAPAN を示す。(例 MX J)  
 キャビティ番号 : 数字で表示。  
 金型番号 : アルファベットにて構成。

FORMED BY MX AND ALPHABET WHICH MEAN  
 THE MANUFACTORY, BUT "J" MEANS JAPAN. (TO TRADE MARK)  
 (e.g. MXJ)  
 AND BY NUMBERS (TO CAVITY NO.)  
 AND BY ALPHABET (TO MOLD NO.)

|       |       |       |       |              |             |
|-------|-------|-------|-------|--------------|-------------|
| 82.91 | 82.61 | 81.81 | 85.85 | 54561-6401   | 64          |
| 77.83 | 77.53 | 76.73 | 80.77 | 54561-6001   | 60          |
| 65.13 | 64.83 | 64.03 | 68.07 | 54561-5001   | 50          |
| 52.43 | 52.13 | 51.33 | 55.37 | 54561-4001   | 40          |
| 44.81 | 44.51 | 43.71 | 47.75 | 54561-3401   | 34          |
| 39.73 | 39.43 | 38.63 | 42.67 | 54561-3001   | 30          |
| 34.65 | 34.05 | 33.55 | 37.59 | 54561-2601   | 26          |
| 27.03 | 26.73 | 25.93 | 29.97 | 54561-2001   | 20          |
| 21.95 | 21.65 | 20.85 | 24.89 | 54561-1601   | 16          |
| 19.41 | 19.11 | 18.31 | 22.35 | 54561-1401   | 14          |
| 14.33 | 14.03 | 13.23 | 17.27 | 54561-1001   | 10          |
| D     | C     | B     | A     | MATERIAL NO. | CKT.        |
|       |       |       |       | MODEL NO.    | 54561-***01 |

|                      |                                     |
|----------------------|-------------------------------------|
| 材料<br>MATERIAL       | PBT , UL94V-0 (黒色)<br>(COLOR BLACK) |
| 仕上げ<br>FINISH        | — # —                               |
| 適用電線範囲<br>WIRE RANGE | — # —                               |
| 被覆外径<br>INS. RANGE   | — # —                               |

|              |                   |            |
|--------------|-------------------|------------|
| REVISED      | EC NO: J2007-2853 | 2007/04/13 |
| DRW: MABEI   | 2007/04/13        |            |
| CHKD: YMAEDA | 2007/04/13        |            |
| APPR: NUKITA | 2007/04/13        |            |
| DESCRIPTION  |                   |            |
| REV          | J                 |            |

|  |        |
|--|--------|
| GENERAL TOLERANCES<br>(UNLESS SPECIFIED)                   |        |
| 10 UNDER   | ± 0.2  |
| 10 OVER 30 UNDER   | ± 0.25 |
| 30 OVER  | ± 0.3  |
| ANGULAR  | ± 3 °  |
| DRAFT WHERE APPLICABLE<br>MUST REMAIN<br>WITHIN DIMENSIONS |        |

|                            |           |
|----------------------------|-----------|
| DIMENSION STYLE<br>MM ONLY |           |
| DRAWN BY                   | DATE      |
| SMATSUZAKI                 | '99/03/04 |
| CHECKED BY                 | DATE      |
| SKUNISHI                   | '03/08/06 |
| APPROVED BY                | DATE      |
| TYAMAGUCHI                 | '03/08/06 |
| MATERIAL NO.               |           |
| SEE CHART                  |           |
| SIZE                       | A3        |

|  |              |
|--|--------------|
| SCALE  | 3:1          |
| DESIGN UNITS   | METRIC       |
| THIRD ANGLE PROJECTION   |              |
| TITLE  |              |
| 2.54 FLAT CABLE CONN<br>REC STRAIN RELIEF  |              |
| MOLEX MOLEX INCORPORATED   |              |
| DOCUMENT NO.   | SD-54561-002 |
| SHEET NO.  | 1 OF 1       |
| THIS DRAWING CONTAINS INFORMATION THAT IS PROPRIETARY TO MOLEX<br>INCORPORATED AND SHOULD NOT BE USED WITHOUT WRITTEN PERMISSION |              |