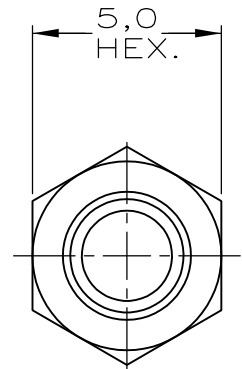
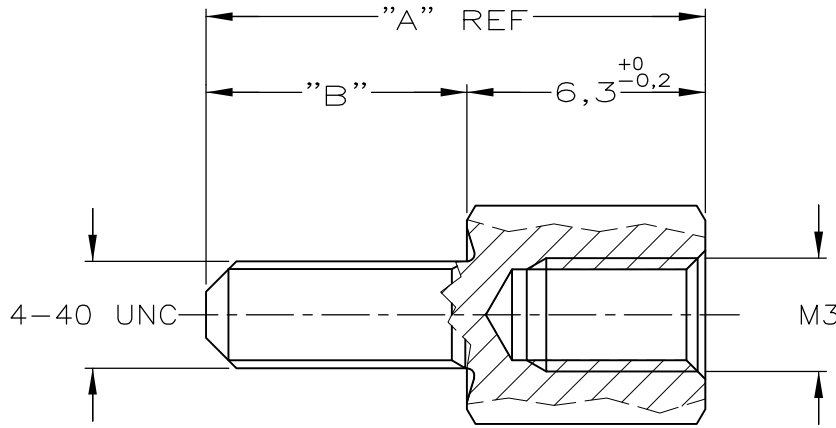
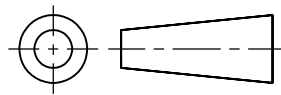


DO NOT SCALE

DIMENSIONS IN mm

METRIC

THIRD ANGLE  
PROJECTION



△ OBSOLETE PARTS: OBSOLETE CIS STREAMLINING PER D.RENAUD/D.SINISI

-	3,0	9,2	UNPLATED	ARCAP	3-828101-3
-	3,0	9,2	TINPLATED	BRASS	3-828101-1
-	11,0	17,2	UNPLATED	ARCAP	2-828101-3
-	11,0	17,2	TINPLATED	BRASS	2-828101-1 △
-	9,7	15,9	UNPLATED	ARCAP	1-828101-3
-	9,7	15,9	TINPLATED	BRASS	1-828101-1
-	5,0	11,2	UNPLATED	ARCAP	828101-3
-	5,0	11,2	TINPLATED	BRASS	828101-1
-	DIM "B"	DIM "A"	FINISH	MATERIAL	ORDERNUMBER

-	-	-	-	-	<p><b>CUSTOMER DRAWING</b> FOR REFERENCE ONLY WILL NOT BE UPDATED</p> <p>© COPYRIGHT 19 - BY AMP HOLLAND B.V. ALL INTERNATIONAL RIGHTS RESERVED. AMP PRODUCTS MAY BE COVERED BY U.S. AND FOREIGN AND/OR PATENTS PENDING. THIS DRAWING IS UNPUBLISHED RELEASED FOR PUBLICATION _____, 19 _____</p> <p><b>AMP</b>   AMP HOLLAND B.V. 's-Hertogenbosch, The Netherlands.</p>				
F1	REVISED PER ECO-09-023313	KK	AEG	120CT09					
F	H-9720	S.M.	C.V.T	21-04-92					
LTR.	REVISION RECORD	DR.	CHK.	DATE					
DR.:	D.KESSLER	CHK.:	C.V.TILBURG	APP.:		L.V.SOEST			
DATE:	02-04-91	DATE:	23-04-91	DATE:	25-04-91				
DWG.No.				828101	REV.LTR.	F1	SHEET	1 OF 1	A4