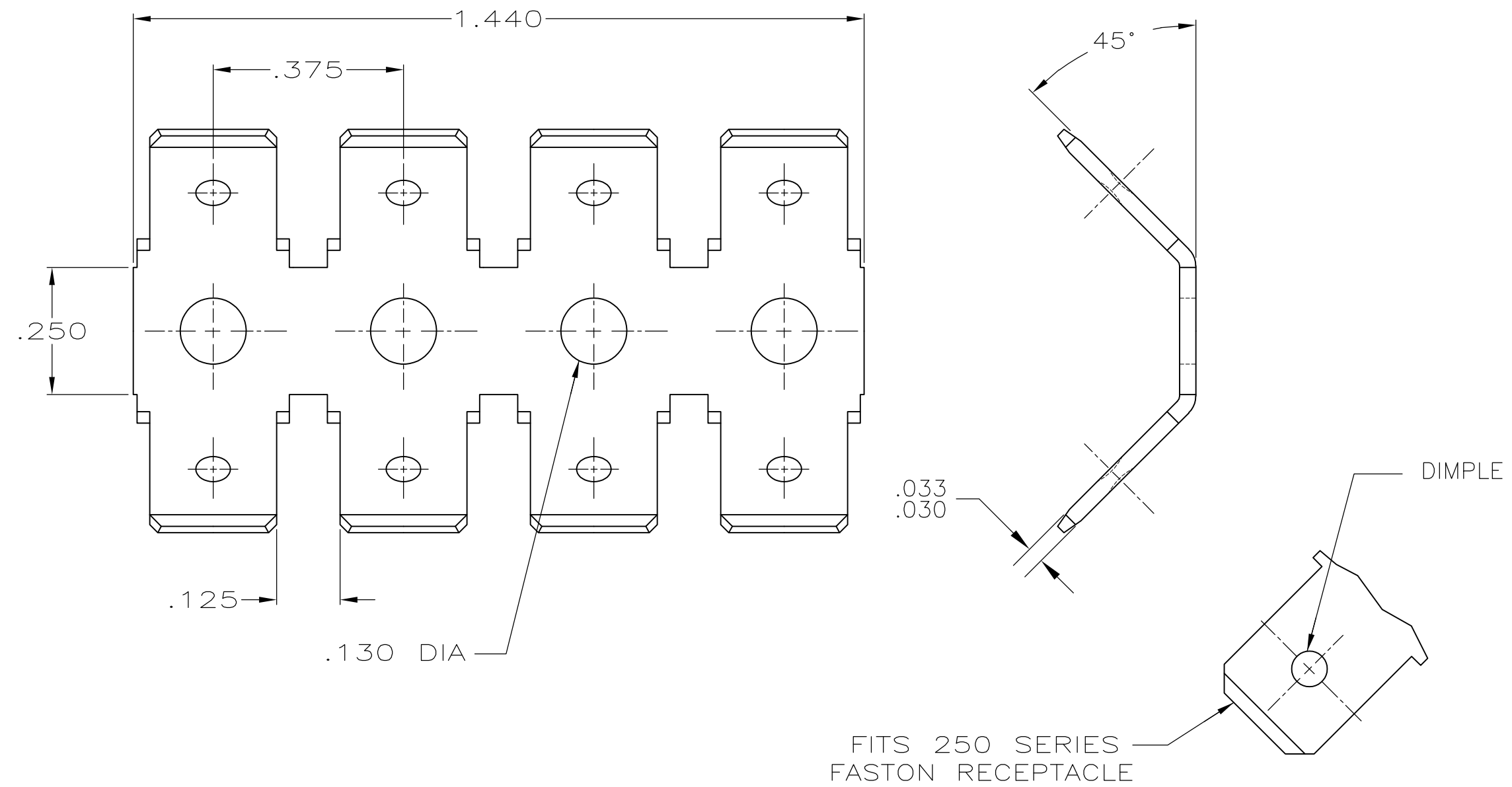



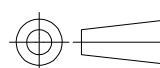
THIS DRAWING IS UNPUBLISHED. RELEASED FOR PUBLICATION
 © COPYRIGHT - By - ALL RIGHTS RESERVED.

LOC	DIST	REVISIONS					
AF	50	P	LTR	DESCRIPTION	DATE	DWN	APVD
			Y	REVISED PER ECR-13-011489	09DEC2013	KH	PD

1 PARTS SUPPLIED IN PAIRS OF 4.



41484
PART NO

THIS DRAWING IS A CONTROLLED DOCUMENT.		DWN	JR RUTH	4/28/89	 TE Connectivity		
DIMENSIONS: INCHES		CHK	M FEHER	5/1/89			
		TOLERANCES UNLESS OTHERWISE SPECIFIED:		APVD	C MEYERS	5/3/89	TAB, FASTON,™ .250 SERIES
MATERIAL		FINISH		PRODUCT SPEC		APPLICATION SPEC	
BRASS		TIN		—		—	RESTRICTED TO
				WEIGHT	—		—
				CUSTOMER DRAWING			SCALE
				A3 00779 C-41484			4:1
				SHEET			1 OF 1
				REV			Y