

PLEASE CHECK WWW.MOLEX.COM FOR LATEST PART INFORMATION

Part Number: **503429000**
Status: **Active**
Overview: CLIK-Mate™ Wire-to-Board Connectors
Description: CLIK-Mate™ 1.50mm Pitch Wire-to-Board Crimp Terminal, Tin Plating, 26-30 AWG, Reel

Documents:

3D Model	Application Specification AS-502578-001-001 (PDF)
Drawing (PDF)	Application Specification AS-502578-002-001 (PDF)
Product Specification PS-502584-001-001 (PDF)	Application Specification AS-503149-001-001 (PDF)
Product Specification PS-503159-001-001 (PDF)	Application Specification AS-503395-001-001 (PDF)
Product Specification PS-503395-001-001 (PDF)	Packaging Specification SPK-503429-001-001 (PDF)
Application Specification 5031490000-000 (PDF)	RoHS Certificate of Compliance (PDF)

General

Product Family	Crimp Terminals
Series	503429
Application	Signal
Crimp Quality Equipment	Yes
Overview	CLIK-Mate™ Wire-to-Board Connectors
Product Name	CLIK-Mate™
UPC	883906522988

Physical

Durability (mating cycles max)	30
Gender	Male
Material - Metal	Copper Alloy
Material - Plating Mating	Tin
Material - Plating Termination	Tin
Net Weight	42.000/mg
Packaging Type	Reel
Plating min - Mating	0.406µm
Plating min - Termination	0.406µm
Termination Interface: Style	Crimp or Compression
Wire Insulation Diameter	0.70-1.02mm
Wire Size AWG	26, 28, 30
Wire Size mm ²	0.05-0.13

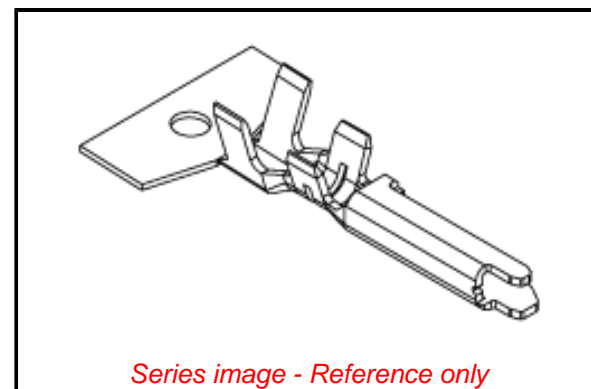
Electrical

Current - Maximum per Contact	1.5A
Voltage - Maximum	100V AC (RMS)/DC

Material Info

Reference - Drawing Numbers

Application Specification	5031490000-000, AS-502578-001-001, AS-502578-002-001, AS-503149-001-001, AS-503395-001-001
Crimp Specification	CS-503429-001-001
Packaging Specification	SPK-503429-001-001
Product Specification	PS-502584-001-001, PS-503159-001-001, PS-503395-001-001
Sales Drawing	SD-503429-001, SD-503429-002



EU ELV

Not Relevant

EU RoHS

Compliant

REACH SVHC

Not Contained Per
-ED/01/2017 (12
January 2017)

Halogen-Free

Status

Low-Halogen

Need more information on product environmental compliance?

Email productcompliance@molex.com
Please visit the [Contact Us](#) section for any non-product compliance questions.

China ROHS

ELV

RoHS Phthalates

China RoHS

Green Image

Not Relevant

Not Contained

Search Parts in this Series

[503429](#) Series

Use With

[502578](#) CLIK-Mate™ Housing, [503149](#) CLIK-Mate™ Housing