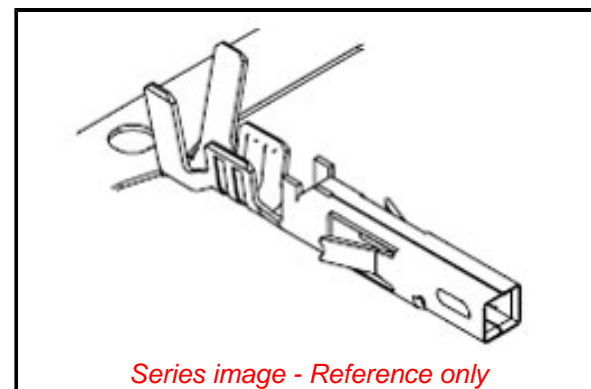


**PLEASE CHECK WWW.MOLEX.COM FOR LATEST PART INFORMATION**

**Part Number:** [0460181541](#)  
**Status:** **Active**  
**Overview:** Mini-Fit Plus Connector System  
**Description:** Mini-Fit Plus High Mating Cycle Female Crimp Terminal, 18-20 AWG, Reel, Select Gold (Au) Plating with Proprietary Molex Advanced Contact Surface Finish (CSF) in Contact Area

**Documents:**

[Drawing \(PDF\)](#) [Packaging Specification PK-46018-001 \(PDF\)](#)  
[Product Specification PS-46018-004-001 \(PDF\)](#) [RoHS Certificate of Compliance \(PDF\)](#)  
[Product Specification TS-46018-001-001 \(PDF\)](#)



**General**

Product Family	Crimp Terminals
Series	46018
Application	Power
Comments	Current Rating = 9A Max. Using 18 AWG Wire and 7A Max. Using 20 AWG Wire
Crimp Quality Equipment Overview	Yes
Packaging Alternative	<u>Mini-Fit Plus Connector System</u>
Product Name	46018-1542 (Loose)
UPC	Mini-Fit Plus 822350560474

**Physical**

Gender	Female
Material - Metal	Copper Alloy
Material - Plating Mating	Gold
Material - Plating Termination	Tin
Net Weight	0.150/g
Packaging Type	Reel
Plating min - Mating	0.051µm
Plating min - Termination	2.540µm
Termination Interface: Style	Crimp or Compression
Wire Insulation Diameter	1.65-2.95mm
Wire Size AWG	18, 20
Wire Size mm <sup>2</sup>	N/A

**Electrical**

Current - Maximum per Contact	13.0A
Voltage - Maximum	600V

**Solder Process Data**

Lead-free Process Capability	N/A
------------------------------	-----

**Material Info**

**Reference - Drawing Numbers**

Packaging Specification	PK-46018-001
Product Specification	PS-46018-004-001, TS-46018-001-001
Sales Drawing	SD-46018-001-001

**EU ELV**

**Not Relevant**

**EU RoHS**

**Compliant**

**REACH SVHC**

Not Contained Per  
-ED/01/2018 (15  
January 2018)

**Halogen-Free**

**Status**

**Low-Halogen**

**Need more information on product environmental compliance?**

Email [productcompliance@molex.com](mailto:productcompliance@molex.com)  
Please visit the [Contact Us](#) section for any non-product compliance questions.

China ROHS	Green Image
ELV	Not Relevant
RoHS Phthalates	Not Contained

**Search Parts in this Series**

[46018](#) Series

**Mates With**

Mini-Fit Plus Crimp Terminal [46012](#)  
<br>Mini-Fit Plus Header [46011](#) , [46014](#)  
, [46015](#) <br>Mini-Fit BMI Header [44068](#) ,  
[42404](#) , [43810](#) <br>Mini-Fit Jr. Header [5569](#)  
<br>Mini-Fit TPA Header [30070](#)

**Use With**

Mini-Fit Jr. Receptacles [5557](#) <br>Mini-Fit TPA Receptacles [30067](#) <br>Mini-Fit BMI Panel Mount Receptacles [42474](#) <br>Mini-Fit BMI Panel Mount Slide-N-Lock Receptacles [44516](#)

**PLEASE CHECK [WWW.MOLEX.COM](http://WWW.MOLEX.COM) FOR LATEST PART INFORMATION**