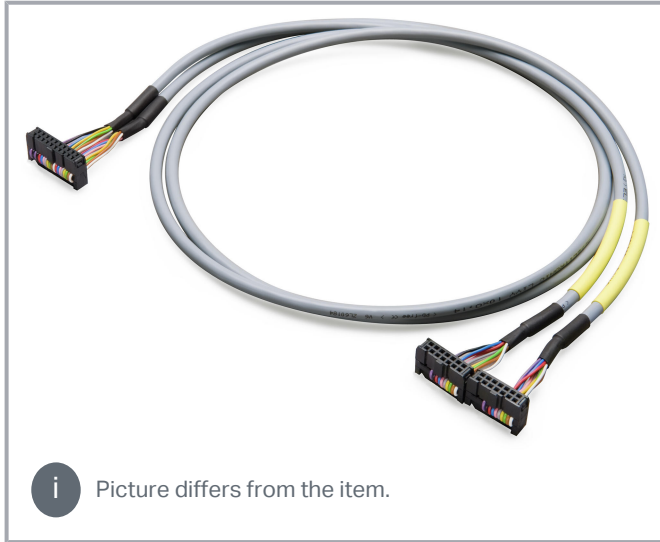


Data sheet | Item number: 706-7753/304-100

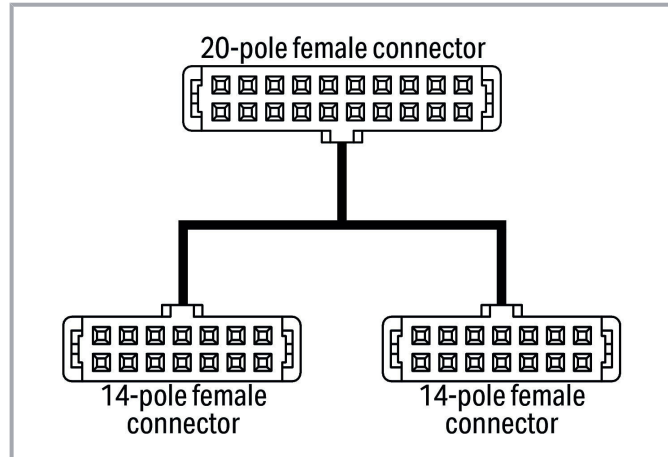
System cable; for WAGO-I/O-SYSTEM, 750 Series; 2 x 8 analog inputs or outputs; Length: 1 m; Conductor cross-section: 0.14 mm²



www.wago.com/706-7753/304-100



 Picture differs from the item.



Item description

Short description:

WAGO's Interface Cables provide fast and easy connection of WAGO I/O Modules equipped with a 20-pole pluggable connector. The following WAGO I/O Modules and Interface Adapters are compatible:

750-1500 (16 DO) --> 857-981 (DO)

750-1502 (8 DO/8 DI) --> 857-981 (DO) and 857-982 (DI)

The cables are available in 1-, 2- and 3-meter lengths; each has one 20-pole or two 14-pole pluggable connectors at both ends.

They are suitable for system wiring when paired with 857-981 and 857-982 Interface Adapters.

Data

Notes

Note	When using more than 10 wires, the maximum current per wire must be reduced to 0.7 A.
------	---

Electrical data

Inputs/outputs	2 x 8 analog inputs or outputs
----------------	--------------------------------

Subject to changes. Please also observe the further product documentation!

WAGO GmbH & Co. KG
Hansastr. 27
32423 Minden
Phone: +49571 887-0 | Fax: +49571 887-169
Email: info.de@wago.com | Web: www.wago.com

Do you have any questions about our products?
We are always happy to take your call at +49 (571) 887-44222.



Operating voltage	≤ AC/DC 35 V
Current per wire (max.)	1 A

Connection data

Compatible PLC Modules	WAGO I/O System 750
Connection type (1)	System
Pole number 1	20
Pluggable connectors	Pluggable connector per DIN 41651; Female connector
Connection type 2	System
Pole number 2	14
Connector 2	Pluggable connector per DIN 41651; Female connector
Connection type (3)	System
Pole number 3	14
Connector 3	DIN 41651 connector; female connector
Cable type	LiYY
Wire cross-section	0.14 mm ²
Color code	per DIN VDE 47100

Physical data

Cable length	1 m
--------------	-----

Material data

Weight	97 g
--------	------

Environmental requirements

Surrounding air temperature (operation)	-20 ... 50 °C
---	---------------

Commercial data

Product Group	30 ()
PU (SPU)	1 Stück
Packaging type	box
Country of origin	FR
GTIN	4050821034209
Customs tariff number	85444290900

Subject to changes. Please also observe the further product documentation!

WAGO GmbH & Co. KG
 Hansastr. 27
 32423 Minden
 Phone: +49571 887-0 | Fax: +49571 887-169
 Email: info.de@wago.com | Web: www.wago.com



Do you have any questions about our products?
 We are always happy to take your call at +49 (571) 887-44222.



Optional accessories

Interface module

Interface adapter

	Item no.: 857-982 Interface adapter; 14-pole; High-side switching output	www.wago.com/857-982
	Item no.: 857-981 Interface adapter; 14-pole; High-side switching input	www.wago.com/857-981

Downloads

Documentation

Bid Text

706-7753/304-100 X81 - Datei	2019. 2. 19.	xml 3.8 kB	Download
706-7753/304-100 docx - Datei	2018. 11. 26.	docx 15.6 kB	Download

Additional Information

Disposal; Electrical and electronic equipment, Packaging	V 1.0.0	pdf 265.8 kB	Download
--	---------	-----------------	----------

System Description

WAGO System Wiring, Selection Guide This guide will help you select the appropriate interface modules and system cables for the controller you are usng.		pdf 545.9 kB	Download
---	--	-----------------	----------

CAD/CAE-Data

CAE data

WSCAD Universe 706-7753/304-100		URL	Download
WSCAD Universe 706-7753/304-100		URL	Download

Environmental Product Compliance

Compliance Search

Subject to changes. Please also observe the further product documentation!

WAGO GmbH & Co. KG
Hansastr. 27
32423 Minden
Phone: +49571 887-0 | Fax: +49571 887-169
Email: info.de@wago.com | Web: www.wago.com

Do you have any questions about our products?
We are always happy to take your call at +49 (571) 887-44222.

Data sheet | Item number: 706-7753/304-100

www.wago.com/706-7753/304-100



Environmental Product Compliance 706-7753/304-100

System cable; for WAGO-I/O-SYSTEM, 750 Series; 2 x 8 analog inputs or outputs;
Length: 1 m; Conductor cross-section: 0.14 mm²

URL

Download

Installation Notes

Subject to changes. Please also observe the further product documentation!

WAGO GmbH & Co. KG

Hansastr. 27

32423 Minden

Phone: +49571 887-0 | Fax: +49571 887-169

Email: info.de@wago.com | Web: www.wago.com

Do you have any questions about our products?

We are always happy to take your call at +49 (571) 887-44222.