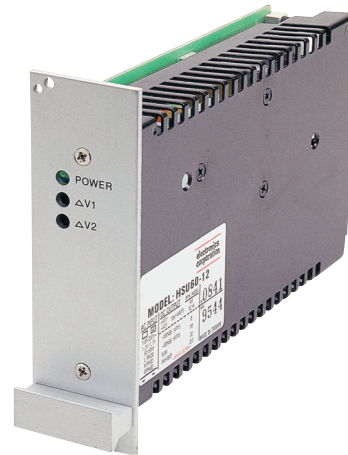


# PBJE Series

45 - 100 WATTS DC/DC SINGLE DUAL & TRIPLE OUTPUT

## Features

- Low cost
- Available in AC or DC input
- Fully isolated output
- AC power fail signal, optional
- Short circuit protection
- Overvoltage protection



## Specifications

### INPUT

Input voltage	115/230VAC dual selectable 9–18VDC, add “-12” to model No. 18–36VDC, add “-24” to model No. 36–72VDC, add “-48” to model No.
---------------	---

Input protection	Input fuse
------------------	------------

Inrush current	AC inputs: 25A
----------------	----------------

### OUTPUT

Output Voltage	See table
----------------	-----------

Output Voltage Adjustment	Output 1 adjusts from -10% to OVP trip point For AC inputs, 60W & 100W Output 2 adjusts ±10%
---------------------------	--

Output current	See table
----------------	-----------

Ripple & noise	1% typical, 2% max.
----------------	---------------------

Line regulation	0.4% typical
-----------------	--------------

Load regulation	Output 1, 1% typical; Outputs 2 & 3, 2-3% typical
-----------------	---

Overvoltage protection	Yes, on Output 1
------------------------	------------------

Overload protection	Yes, at 125%–150% rated power
---------------------	-------------------------------

Short circuit protection	Yes
--------------------------	-----

Transient response	3mS for AC inputs, 50% load change
--------------------	------------------------------------

Holdup time	20mS min. after loss of AC input
-------------	----------------------------------

Rise time	400mS typical for DC inputs
-----------	-----------------------------

Remote sense	Available on AC input units, single outputs
--------------	---

### OPERATING

Efficiency	70%–75% typical
------------	-----------------

Safety isolation	AC Input: Input – Output: 3750VAC Input – Ground: 1500VAC Output – Ground: 500VAC DC Input: Input – Output: 1500VAC Input – Ground: 500VAC Output – Ground: 500VAC
------------------	---

Remote inhibit	Yes for AC input
----------------	------------------

Powerfail	Yes for AC input, optional
-----------	----------------------------

### ENVIRONMENTAL

Operating temperature	0°C to 50°C full rating
-----------------------	-------------------------

Inside rack space	50°C to 70°C derate linearly to half load
-------------------	---

Storage temperature	-20°C to 85°C
---------------------	---------------

Cooling	Convection cooled
---------	-------------------

### STANDARDS AND APPROVALS

Safety standards	IEC60950-1/UL60950-1 Class 1
------------------	------------------------------

C-Tick	AS/NZS CISPR11: 2002 Group1 Class A
--------	-------------------------------------

EMI standards	Meet CISPR PUB 22, FCC Class B
---------------	--------------------------------

### MECHANICAL

Dimensions	45W: 30.3x128.7x160mm 60W: 40.5x128.7x160mm 100W: 50.6x128.7x160mm
------------	--

Connector	DIN 41612-15
-----------	--------------

# PBJE Series

45 - 100 WATTS DC/DC SINGLE DUAL & TRIPLE OUTPUT

### Selection Table - 45W

Model Number	Output 1		Output 2		Output 3	
	V	I	V	I	V	I
PBJE45-10	5V	9A				
PBJE45-11	12V	4A				
PBJE45-12	15V	3A				
PBJE45-13	24V	2A				
PBJE45-20	5V	4A	12V	2A		
PBJE45-21	12V	2A	12V	1.5-2A		
PBJE45-22*	5V	4A	15V	1.2A		
PBJE45-23	15V	1.5A	15V	1.5A		
PBJE45-24	5V	4A	24V	1A		
PBJE45-25	24V	1A	24V	1A		
PBJE45-30	5V	3A	12V	0.5A	5V	1A
PBJE45-31	5V	3A	15V	0.3A	15V	1A
PBJE45-32	5V	3A	12V	0.5A	12V	1A
PBJE45-33	5V	3A	24V	0.5A	12V	1A

### Selection Table - 100W

Model Number	Output 1		Output 2		Output 3	
	V	I	V	I	V	I
PBJE100-10	5V	20A				
PBJE100-11	12V	8.5A				
PBJE100-12	15V	7A				
PBJE100-13	24V	4.3A				
PBJE100-20	5V	8A	12V	5A		
PBJE100-21	12V	4.2A	12V	4.2A		
PBJE100-22*	5V	8A	15V	4A		
PBJE100-23	15V	3.4A	15V	3.4A		
PBJE100-24	5V	8A	24V	2.5A		
PBJE100-25	24V	2.1A	24V	2.1A		
PBJE100-30	5V	7A	12V	5A	5V	41A
PBJE100-31	5V	6A	15V	4A	15V	0.6A
PBJE100-32	5V	7A	12V	5A	12V	0.5A
PBJE100-33	5V	7A	24V	2.5A	12V	0.5A

### Selection Table - 60W

Model Number	Output 1		Output 2		Output 3	
	V	I	V	I	V	I
PBJE60-10	5V	12A				
PBJE60-11	12V	5A				
PBJE60-12	15V	4A				
PBJE60-13	24V	2.5A				
PBJE60-20	5V	5A	12V	3A		
PBJE60-21	12V	2.5A	12V	2.5A		
PBJE60-22*	5V	5A	15V	2.5A		
PBJE60-23	15V	2A	15V	2A		
PBJE60-24	5V	5A	24V	1.5A		
PBJE60-25	24V	1.4A	24V	1.4A		
PBJE60-30	5V	5A	12V	2.5A	5V	0.5A
PBJE60-31	5V	4.5A	15V	2-2.5A	15V	0.5A
PBJE60-32	5V	5A	12V	2.5A	12V	0.5A
PBJE60-33	5V	5A	24V	1.3-1.5A	12V	0.5A

### Input/Output Connections

PIN	SINGLE Output	DUAL Output	TRIPLE Output
4	+V01	+V01	+V01
6	+V01	-V01	+V01
8	SENSE+	+V02	-V01
10	SENSE-	-V02	-V01
12	-V01	NC	+V02
14	-V01	NC	-V02
16	NC	NC	+V03
18	NC	NC	-V03
20	Log inh	Log inh	Log inh
22	Power fail	Power fail	Power fail
24	NC	NC	NC
26	NC	NC	NC
28	AC Line/DC I/P (+)	AC Line/DC I/P (+)	AC Line/DC I/P (+)
30	AC Neutral/DC I/P (-)	AC Neutral/DC I/P (-)	AC Neutral/DC I/P (-)
32	Safety Ground	Safety Ground	Safety Ground

**Note:** Above current rating are maximum current ratings. Maximum current cannot be drawn from all outputs simultaneously. Average power should not exceed the power rating of circuit.

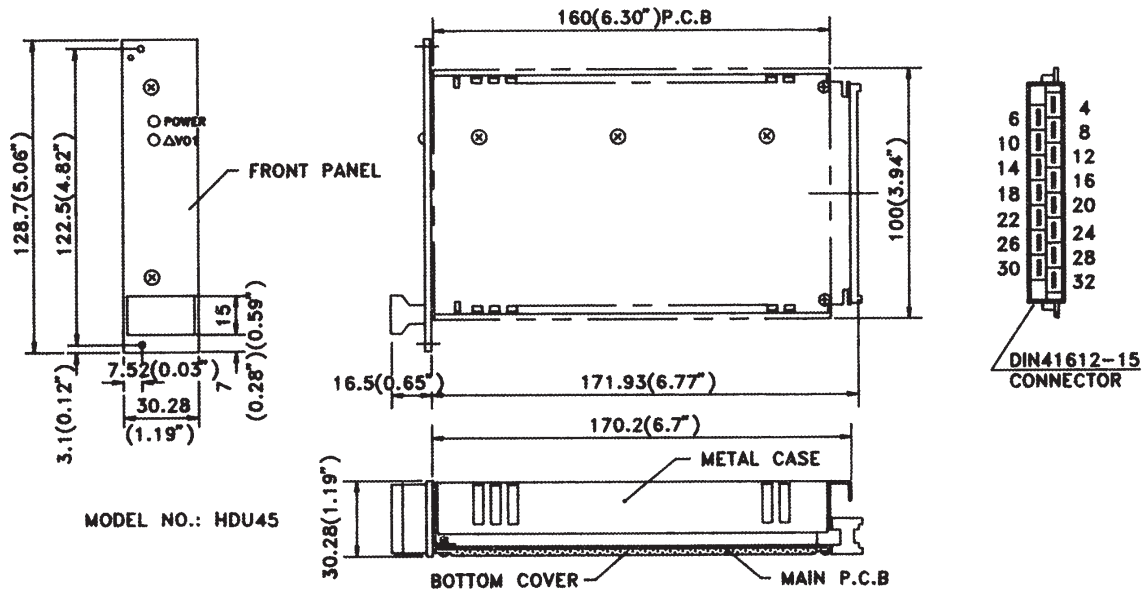
\* AC version only.

# PBJE Series

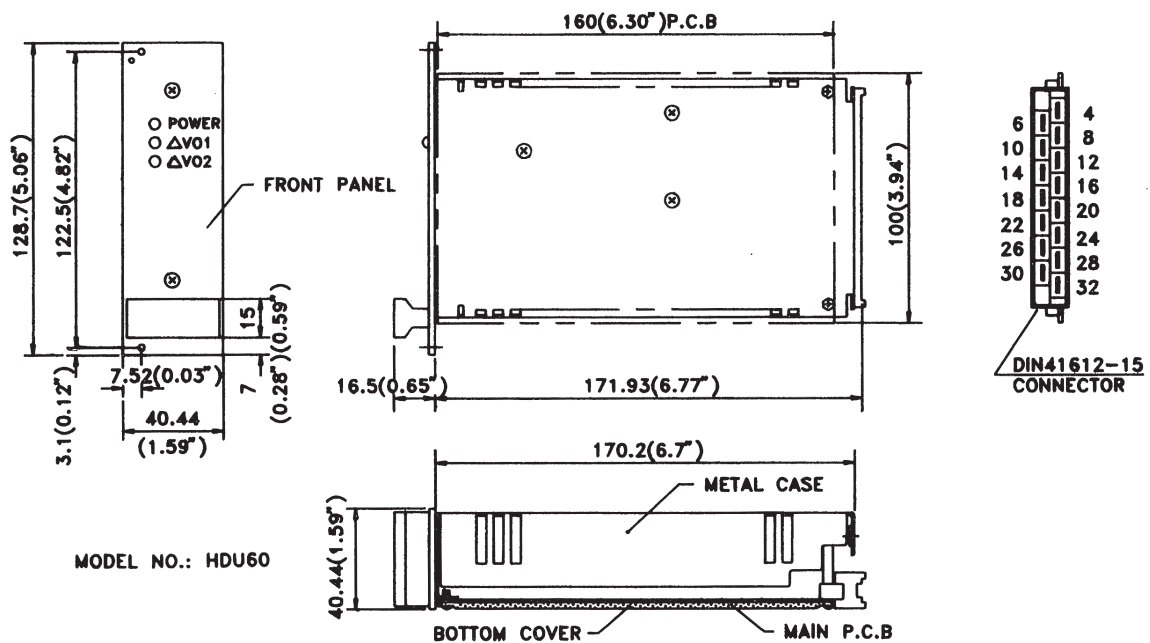
45-100 WATTS DC/DC SINGLE DUAL & TRIPLE OUTPUT

## Technical Illustrations

### PBJE45



### PBJE60



# PBJE Series

45 - 100 WATTS DC/DC SINGLE DUAL & TRIPLE OUTPUT

## PBJE100

