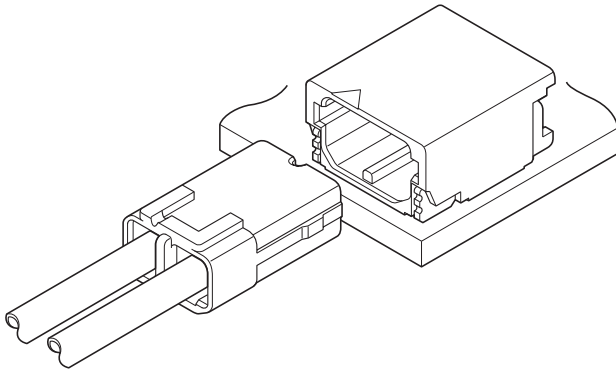




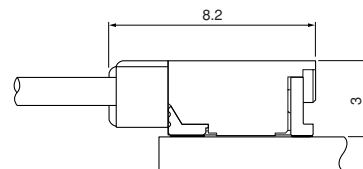
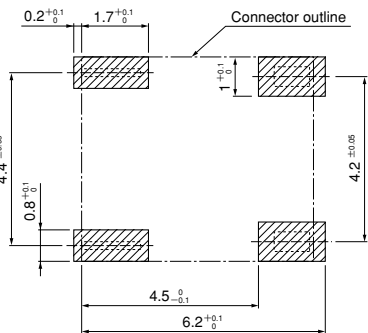
SFH CONNECTOR

1.8mm pitch/Disconnectable Crimp style connectors



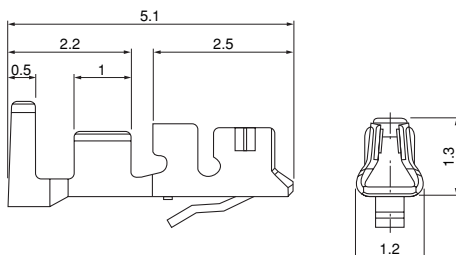
This low profile type connector with height of 3.0mm is designed for connection to stroboscope flash and realized space saving.

- Contact lance
- Countermeasure for inverse insertion and locking feature



Note: 1. The above figure is the figure viewed from the connector mounting side.
 2. Tolerances are non-cumulative: $\pm 0.05\text{mm}$ for all centers.
 3. The dimensions above should serve as a guideline. Contact JST for details.

Contact



Specifications

- Current rating: 4A AC, DC (AWG #22)
- Voltage rating: 350V AC, DC
- Temperature range: -25°C to $+85^{\circ}\text{C}$
(including temperature rise in applying electrical current)
- Contact resistance: Initial value/ 10m Ω max.
After environmental testing/ 20m Ω max.
- Insulation resistance: 1,000M Ω min.
- Withstanding voltage: 1,700V AC/minute
- Applicable wire: Conductor size/ AWG #30 to #22
Insulation O.D./ 0.7 to 1.3mm

- * Compliant with RoHS.
- * Refer to "General Instruction and Notice when using Terminals and Connectors" at the end of this catalog.
- * Contact JST for details.

Standards

- Ⓜ Recognized E60389
- Ⓢ Certified LR20812

Model No.	Applicable wire			Q'ty / reel
	mm ²	AWG#	Insulation O.D. (mm)	
SSFH-001T-P0.5	0.13~0.33	26~22	0.95~1.3	15,000
SSFH-002T-P0.5	0.05~0.13	30~26	0.7 ~1.25	15,000

Material and Finish

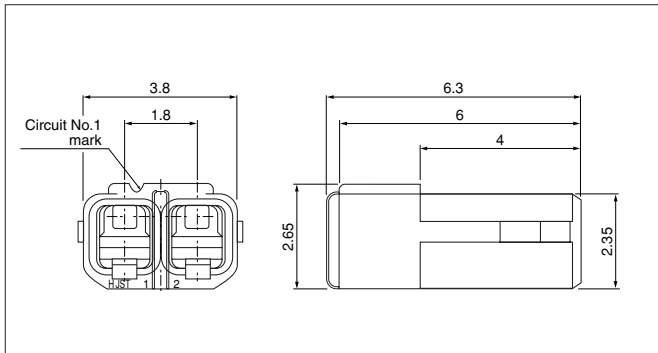
Copper alloy, tin-plated (reflow treatment)

RoHS compliance

Contact	Crimping machine	Applicator		
		Crimp applicator	Dies	Crimp applicator with dies
SSFH-001T-P0.5	AP-K2N	MKS-L	MK/SSFH-001-05	APLMK SSFH001-05
		—	—	—
SSFH-002T-P0.5	AP-K2N	MKS-L	MK/SSFH-002-05	APLMK SSFH002-05
		—	—	—

SFH CONNECTOR

Housing



Circuits	Model No.	Q'ty / bag
2	SFHR-02V-R	1,000

Material

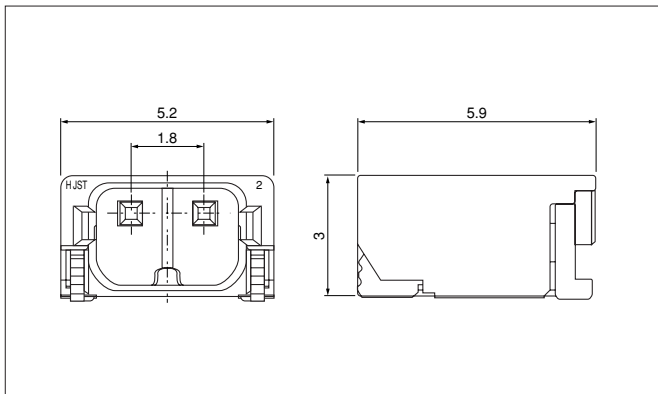
Thermoplastic resin, UL94V-0

RoHS compliance

<For reference> As the color identification, the following alphabet shall be put in the underlined part. For availability, delivery and minimum order quantity, contact JST.

ex. **SFHR-02V-R**
R...red
L...lemon yellow

Shrouded header



Circuits	Model No.	Q'ty / reel
2	SM02B-SFHRS-TF	2,000

Material and Finish

Press pin: Copper alloy, copper-undercoated, tin-plated (reflow treatment)
 Wafer: Heat resisting resin, UL94V-0
 Solder tab: Copper alloy, copper-undercoated, tin-plated (reflow treatment)

RoHS compliance This product displays (LF)(SN) on a label.

<For reference> As the color identification, the following alphabet shall be put in the underlined part. For availability, delivery and minimum order quantity, contact JST.

ex. **SM02B-SFHRS-TF**
R...red
L...lemon yellow