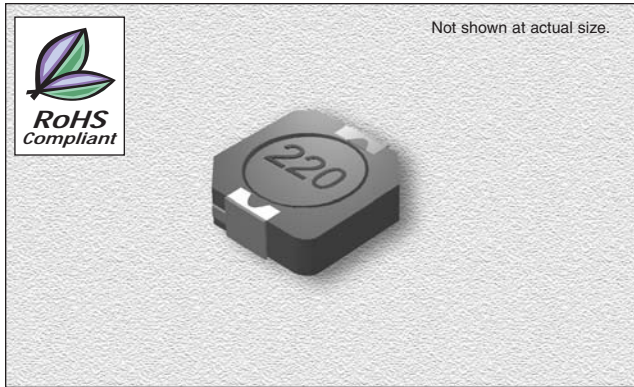


CTCDRH104RF Series

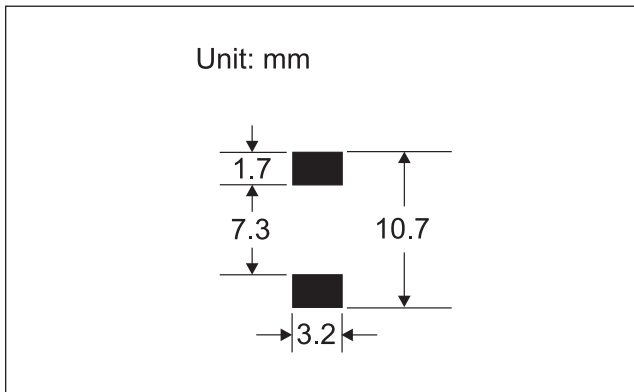
From 1.0 μH to 330 μH



CHARACTERISTICS

- Description:** SMD (shielded) power inductor
- Applications:** Power supplies for VTR, OA equipment, LCD televisions, PC notebooks, portable communication equipment, DC/DC converters, etc.
- Operating Temperature:** -40°C to +100°C
- Storage Temperature:** -40°C to +100°C
- Inductance Tolerance:** $\pm 30\%$
- Testing:** Tested on a HP4285A at 100 KHz , 0.25Vrms , 0Adc
- Packaging:** Tape & Reel
- Marking:** Parts are marked with inductance code
- Miscellaneous:** **RoHS Compliant.**
- Additional Information:** Additional electrical & physical information available upon request
- Samples available.** See website for ordering information.

PAD LAYOUT



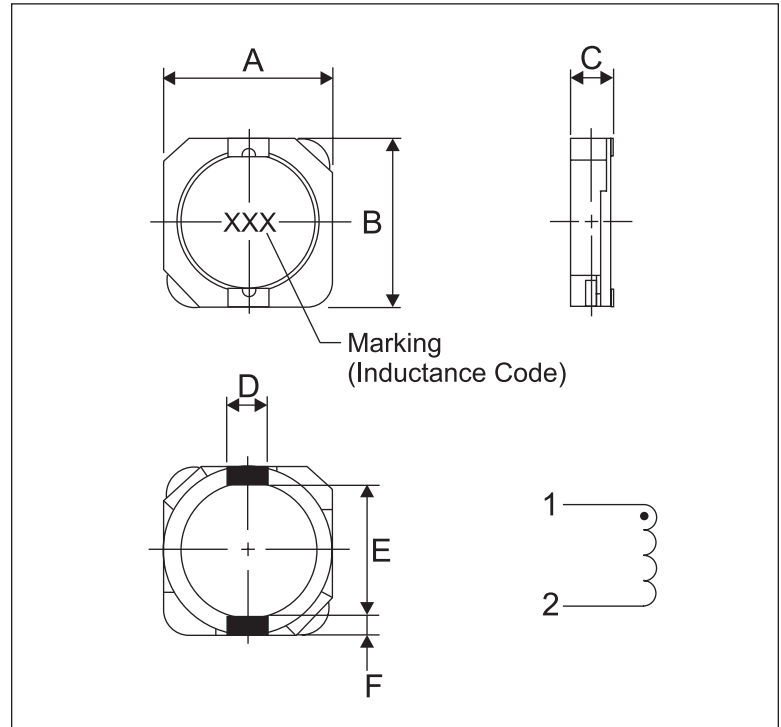
SPECIFICATIONS

Parts are available in $\pm 30\%$ tolerance only.
 *This IDC indicates the value of current when the inductance is 35% lower than the nominal value.

| Part Number | Inductance ($\mu\text{H} \pm 30\%$) | L Test Freq. (kHz) | DCR Max. (m Ω) | *IDC (A) |
|-----------------|---------------------------------------|--------------------|------------------------|----------|
| CTCDRH104RF-1R0 | 1.0 | 100 | 7.0 | 10.1 |
| CTCDRH104RF-1R5 | 1.5 | 100 | 8.1 | 10 |
| CTCDRH104RF-2R5 | 2.5 | 100 | 10 | 7.5 |
| CTCDRH104RF-3R3 | 3.3 | 100 | 15 | 7.0 |
| CTCDRH104RF-3R8 | 3.8 | 100 | 15 | 6.0 |
| CTCDRH104RF-4R7 | 4.7 | 100 | 22 | 5.8 |
| CTCDRH104RF-5R2 | 5.2 | 100 | 22 | 5.7 |
| CTCDRH104RF-5R8 | 5.8 | 100 | 22 | 5.5 |
| CTCDRH104RF-7R0 | 7.0 | 100 | 27 | 4.8 |
| CTCDRH104RF-100 | 10 | 100 | 35 | 4.4 |
| CTCDRH104RF-150 | 15 | 100 | 50 | 3.6 |
| CTCDRH104RF-220 | 22 | 100 | 73 | 2.9 |
| CTCDRH104RF-270 | 27 | 100 | 100 | 2.54 |
| CTCDRH104RF-330 | 33 | 100 | 93 | 2.3 |
| CTCDRH104RF-470 | 47 | 100 | 128 | 2.1 |
| CTCDRH104RF-680 | 68 | 100 | 213 | 1.5 |
| CTCDRH104RF-101 | 100 | 100 | 304 | 1.35 |
| CTCDRH104RF-151 | 150 | 100 | 506 | 1.15 |
| CTCDRH104RF-221 | 220 | 100 | 756 | 0.92 |
| CTCDRH104RF-331 | 330 | 100 | 1090 | 0.7 |

PHYSICAL DIMENSIONS

| Size | A | B | C | D | E | F |
|--------|-----------------|-----------------|-----------------|------------------|-----------------|------------------|
| mm | 10.0 \pm 0.3 | 10.0 \pm 0.3 | 3.8 \pm 0.2 | 3.0 \pm 0.1 | 7.7 \pm 0.3 | 1.2 \pm 0.15 |
| inches | 0.39 \pm 0.01 | 0.39 \pm 0.01 | 0.15 \pm 0.01 | 0.12 \pm 0.003 | 0.30 \pm 0.01 | 0.05 \pm 0.006 |



02.18.09