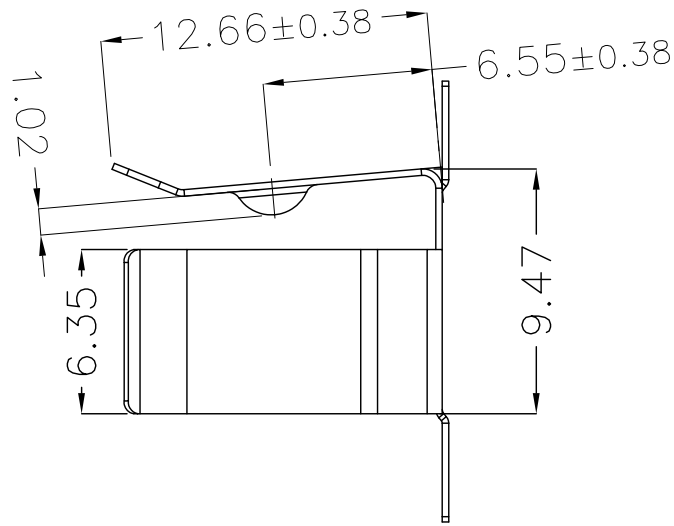
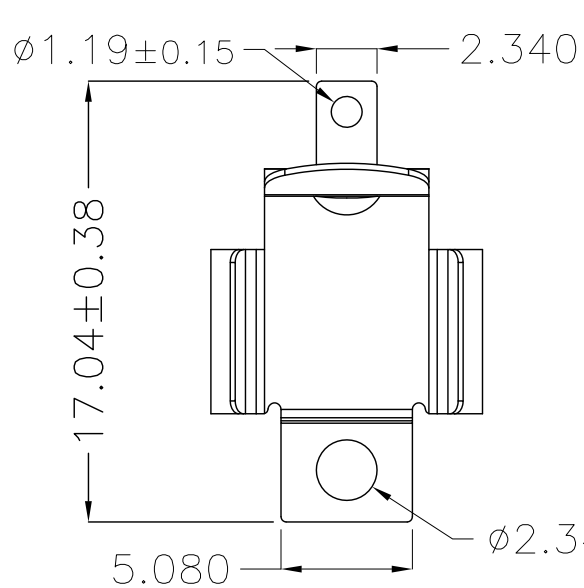
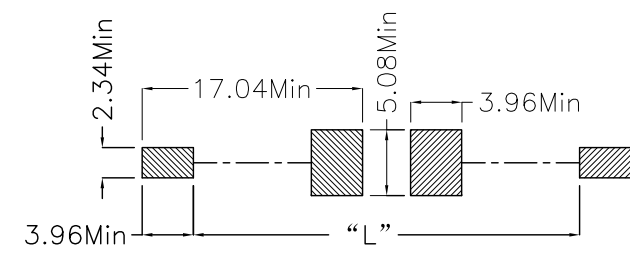
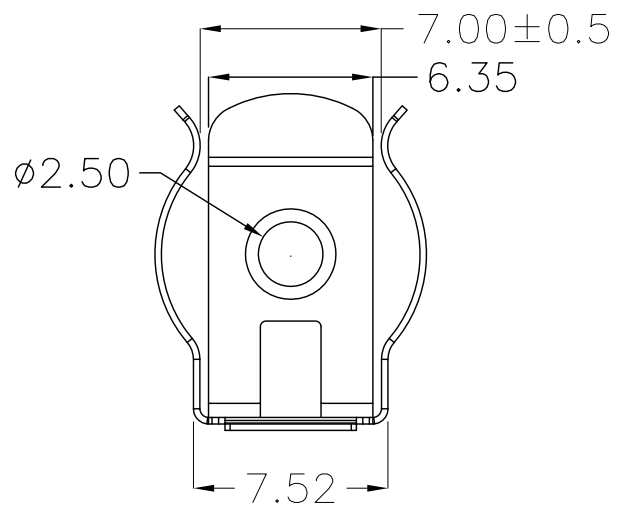




REV.	ECN NO.	REVISED	DATE



BATTERY SIZE	"L" DIMENSION
AAA	44.70
N	29.20



Scale:2:1
PCB Layout Diagram
Top View

工程部
2018-11-23
LQ. HUANG

UNLESS OTHERWISE SPECIFIED TOLERANCES		MYOUNG 美阳 www.meiyangdz.com	
DECIMALS: X :±0.30 X.X :±0.25 X.XX :±0.20 X.XXX :±0.10	ANGLES: X :±1° X.X :±0.5°	DSND YangFeng	DATE 2018-11-23
WEIGHT:		CHKD ZhouRuicai	DATE 2018-11-23
SHEET 1 OF 1		APVD XueShunyong	DATE 2018-11-23
TITLE:		SCALE: SIZE: A4	VIEW:
PART NO.:		UNIT: mm	REV.: A/0
MY-AAA-06		OBJECT: MY	DRAW NO.:MY-CP-0138

1	TERMINAL	1	Mn Steel , T=0.25mm	Ni-Plating
NO.	PART NAME	Q'TY	MATERIAL	PLATING & COLOR