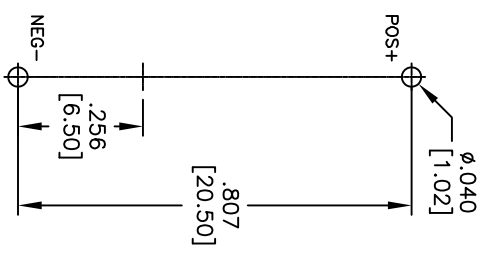
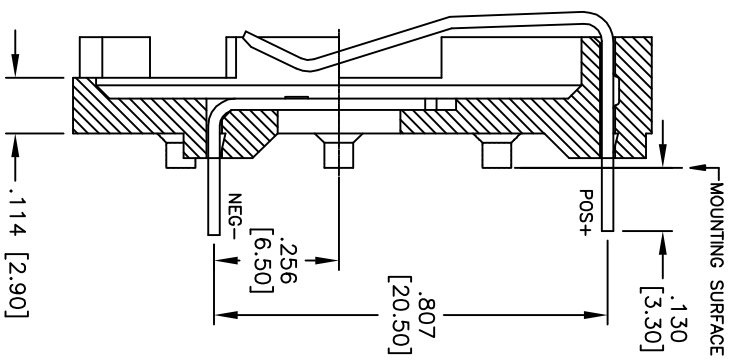
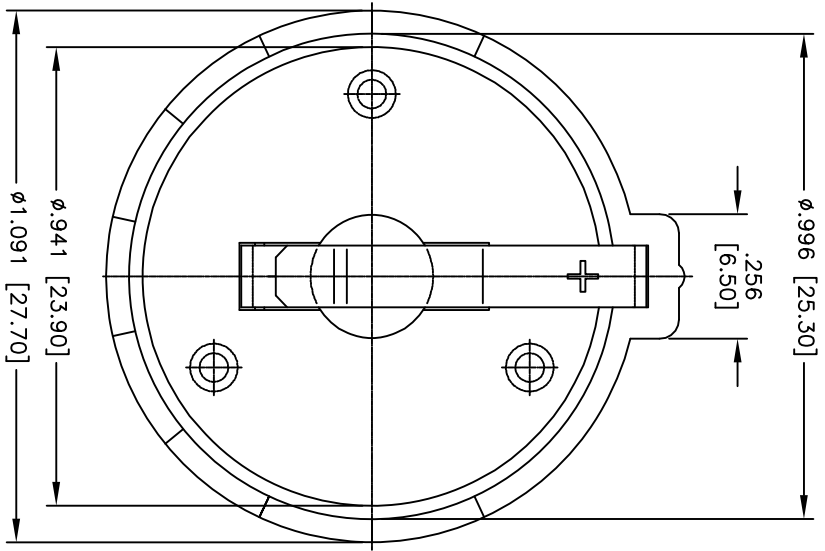


Rev	AWO #	Description	Date	Appr
-		RELEASED	3/09/11	

APPROVED: _____
 DATE: _____ TITLE: _____



PCB HOLE PATTERN

SPECIFICATIONS:

Material:
 Housing: Nylon, rated UL94V-0
 Positive Contact: Phosphor Bronze, Nickel plated
 Negative Contact: Brass, Nickel plated
Electrical:
 Rating: DC3V, 120mA
 Inter-Contact resistance: 100m ohms Max.
 Insulation resistance: 100m ohms Min.
Environmental:
 Lead free, RoHS compliant

ADAM TECH
 909 Rahway Avenue, Union, NJ 07083
 Phone: 908-687-5000 Fax: 908-687-5710

TITLE
COIN CELL BATTERY HOLDER

UNLESS OTHERWISE SPECIFIED ALL DIMENSIONS ARE IN INCHES [MM]	
TOLERANCES: EXCEPT AS NOTED	
INCHES	HOLDS
.X ± .10	ØX ± .10
.XX ± .020	ØXXX ± .015
.XXX ± .015	ØXXX ± .010
APPROVALS	DATE
DRAWN	DY
CHECKED	
APPROVED	
	3/09/11

SIZE	PART NO.	REV.
X	BH-51-1	-
REF: S0021T	SCALE: NTS	SHEET 1 OF 1