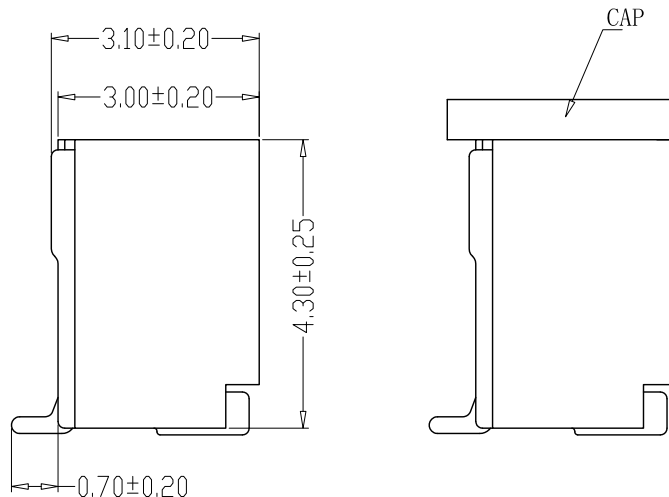
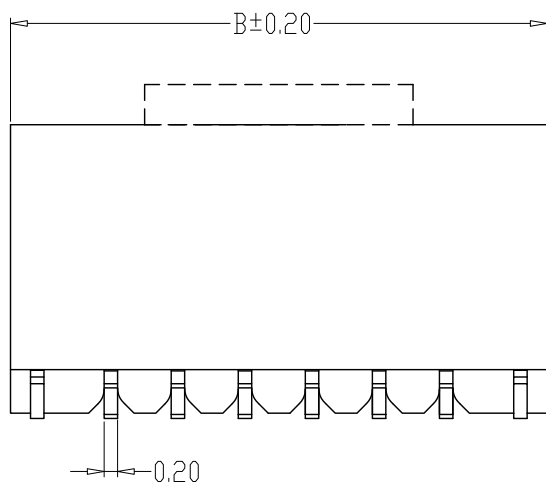


环保物料

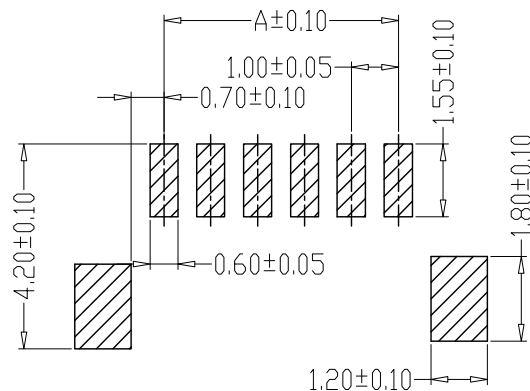
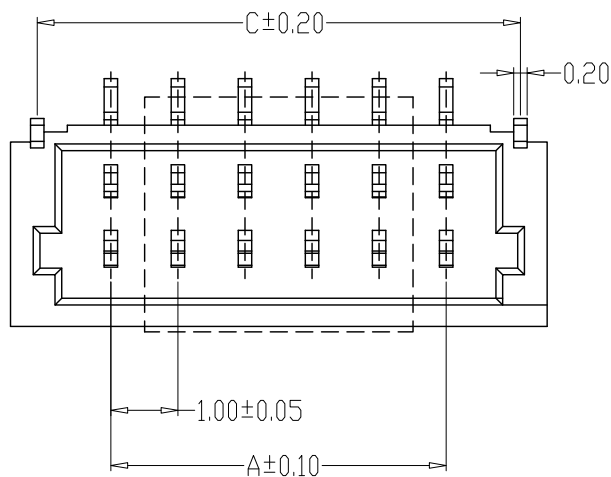
TEL: 0769-82001899



SPECIFICATIONS

- 1.Voltage rating: 50V AC, DC
 - 2.Current rating: 1A, AC, DC
 - 3.Withstanding Voltage: 500V AC/minute
 - 4.Insulation resistance:100M min
 - 5.Temperature range: -25 ° C-+85 ° C
 - 6.Contact resistance: 20m max
- WAFER
 Housing Material: PA9T/LCP UL 94V0
 Pin Material: Phosphor Bronze or Brass
 Contact Area Plating: Plated Tin or Plated Gold
 Mates with :P1010 series Housing
 Poles:02-20P
 Part No.: M1010VS-xxP

Pin位数



PCB LAYOUT

编 号	尺寸 (mm)		
	A	B	C
02	1.00	4.00	3.20
03	2.00	5.00	4.20
04	3.00	6.00	5.20
05	4.00	7.00	6.20
06	5.00	8.00	7.20
07	6.00	9.00	8.20
08	7.00	10.00	9.20
09	8.00	11.00	10.20
10	9.00	12.00	11.20
11	10.00	13.00	12.20
12	11.00	14.00	13.20
20	19.00	22.00	21.20

				TOLERANCE UNLESS OTHERWISE		DRAWN	CK tan	XFCN 兴飞连接器有限公司 XFCN CONNECTORS CO.,LTD.	SHEET	1/1
				X. ± 0.30	X° $\pm 5^\circ$	CHKD			DATE	2020.04.12
				.X ± 0.20	.X° $\pm 2^\circ$	APPD			UNITS	mm
				.XX ± 0.08	.XX° $\pm 1^\circ$	VIEW	⊕		SCALE	1:1
AO	MODIFICATION	DRAW	DATE	.XXX ± 0.03	.XXX° $\pm 0.5^\circ$	PRODUCT NAME		1.00mm Crimp Style Connectors		
VER						PART. NO.		M1010VS-xxP		
1	2	3	4	5	6	7	8	9	10	