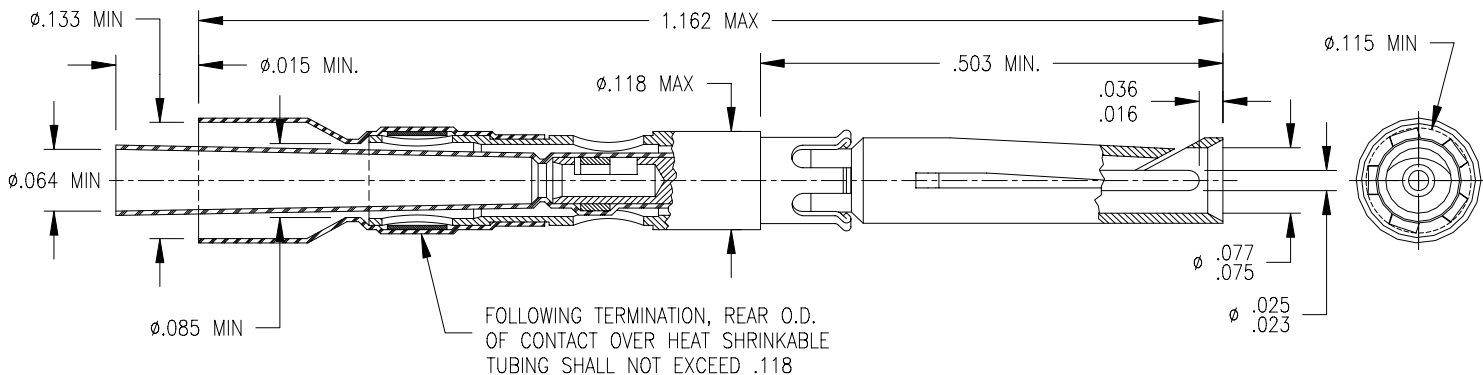


THIS DRAWING AND THE INFORMATION SET FORTH HEREON ARE THE PROPERTY OF TYCO ELECTRONICS CORPORATION, AND ARE TO BE HELD IN TRUST AND CONFIDENCE. PUBLICATION, DUPLICATION, DISCLOSURE, OR USE FOR ANY PURPOSE NOT EXPRESSLY AUTHORIZED IN WRITING BY TYCO ELECTRONICS IS PROHIBITED.

REVISIONS			
LTR	DESCRIPTION	DATE	APPROVED
R	REVISED PER ECN# T-22009	12/16/98	M.HIGGY
S	REVISED PER DCR# D030458	10/31/03	M.HIGGY

If this document is printed it becomes uncontrolled.
Check for the latest revision.



NOTES:

- THIS CONTACT IS DESIGNED FOR USE IN MIL-DTL-28748, SIZE 16 CAVITIES.
- THIS CONTACT IS DESIGNED TO ACCOMMODATE A TWISTED PAIR 30 THRU 24 AWG CABLE. OTHER APPLICATIONS SHOULD BE SUBMITTED TO RAYCHEM FOR EVALUATION.
- FOR TERMINATION PROCEDURE, SEE RAYCHEM SPECIFICATION ES 61132.
- MATING CONTACT (FOR SIMILAR CABLES): D-602-54.
- ALIGNMENT BUSHING CHA-0001 TO BE SUPPLIED WITH THE CONTACT.
- THIS CONTACT MEETS RAYCHEM SPECIFICATION D-6002.

CONTACT CHARACTERISTICS:

MATERIALS:

- OUTER BODY: COPPER ALLOY PER ASTM B196 OR B194.
PLATING: GOLD PER ASTM B488 (MIL-G-45204), NICKEL PER AMS QQ-N-290, OVER COPPER FLASH.
- INNER CONTACT: BRASS PER ASTM B16/B16M.
PLATING: GOLD PER ASTM B488 (MIL-G-45204), NICKEL PER AMS QQ-N-290, OVER COPPER FLASH.
- RETAINING CLIP: COPPER ALLOY PER ASTM B194.
PLATING: NICKEL PER AMS QQ-N-290.
- DIELECTRIC: ETFE FLUOROPOLYMER PER ASTM D3159.
- SOLDER: SN63 PER ANSI/J-STD-006.
FLUX: ROL1 PER ANSI/J-STD-004.
- CABLE SUPPORT: HEAT-SHRINKABLE, RADIATION CROSS-LINKED POLYVINYLIDENE FLUORIDE.

PERFORMANCE:

- TEMPERATURE RATING: 125°C MAXIMUM
 CURRENT RATING: 3 AMPS
 VOLTAGE RATING: DIELECTRIC WITHSTANDING VOLTAGE: 900 VOLTS RMS MAXIMUM.
 CONTACT RESISTANCE: 10 MILLIOHMS MAXIMUM (INNER)
 8 MILLIOHMS MAXIMUM (OUTER)
 INSULATION RESISTANCE: 5000 MEGAOHMS MINIMUM.
 ENGAGEMENT FORCE: OUTER SOCKET: 20.0 OZ. MAXIMUM
 SEPARATION FORCE: OUTER SOCKET: 2.0 OZ. MINIMUM

SPECIFICATION CONTROL DRAWING

UNLESS OTHERWISE SPECIFIED DIMENSIONS ARE IN INCHES. METRIC DIMENSIONS ARE IN BRACKETS.

DECIMALS
 .XXX ± _____
 .XX ± _____
 ANGLES _____

WEIGHT

DRAWN	MFORONDA	09.17.03
CHECKED		
APPROVED	M.HIGGY	09.17.03
APPROVED		
CAD NAME:	D030458.dwg	



Tyco Electronics Corporation
 300 Constitution Drive
 Menlo Park, CA. 94025 U.S.A.



TITLE			
SHIELDED CONTACT, SOCKET TWISTED PAIR			
SIZE	CODE IDENT. NO.	DWG. NO.	REV
A	06090	D-602-55	S

DO NOT SCALE THIS DRAWING		SHEET 1 OF 1	
---------------------------	--	--------------	--