

**PLEASE CHECK WWW.MOLEX.COM FOR LATEST PART INFORMATION**

**Part Number:** [0556386019](#)  
**Status:** **Contact Molex**  
**Overview:** [qf50](#)  
**Description:** 2.54mm (.100") Pitch QF-50™ Flat Ribbon Cable Header, Dual Row, Right Angle, Shrouded Header with Eject Levers, 60 Circuits, Side MatingKeys, Lead-free

**Documents:**

[3D Model](#) [Product Specification PS-54559-005 \(PDF\)](#)  
[Drawing \(PDF\)](#) [RoHS Certificate of Compliance \(PDF\)](#)

**General**

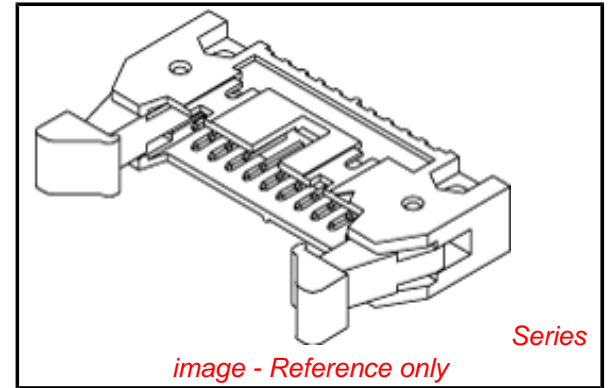
|                |                       |
|----------------|-----------------------|
| Product Family | PCB Headers           |
| Series         | <a href="#">55638</a> |
| Application    | Wire-to-Board         |
| Overview       | <a href="#">qf50</a>  |
| Product Name   | QF-50™                |

**Physical**

|                                |                |
|--------------------------------|----------------|
| Breakaway                      | No             |
| Circuits (Loaded)              | 60             |
| Circuits (maximum)             | 60             |
| Color - Resin                  | Black          |
| Durability (mating cycles max) | 500            |
| First Mate / Last Break        | No             |
| Glow-Wire Compliant            | No             |
| Guide to Mating Part           | No             |
| Keying to Mating Part          | None           |
| Lock to Mating Part            | Yes            |
| Material - Metal               | Brass          |
| Material - Plating Mating      | Gold           |
| Material - Plating Termination | Tin            |
| Material - Resin               | Polyester      |
| Number of Rows                 | 2              |
| Orientation                    | Right Angle    |
| PC Tail Length (in)            | 0.118 In       |
| PC Tail Length (mm)            | 3.00 mm        |
| PCB Locator                    | No             |
| PCB Retention                  | Yes            |
| PCB Thickness Recommended (in) | 0.062 In       |
| PCB Thickness Recommended (mm) | 1.60 mm        |
| Packaging Type                 | Tray           |
| Pitch - Mating Interface (in)  | 0.100 In       |
| Pitch - Mating Interface (mm)  | 2.54 mm        |
| Plating min: Mating (µin)      | 12             |
| Plating min: Mating (µm)       | 0.3            |
| Plating min: Termination (µin) | 40             |
| Plating min: Termination (µm)  | 1              |
| Polarized to Mating Part       | Yes            |
| Shrouded                       | Fully          |
| Stackable                      | No             |
| Surface Mount Compatible (SMC) | No             |
| Temperature Range - Operating  | -40°C to +85°C |
| Termination Interface: Style   | Through Hole   |

**Electrical**

|                               |    |
|-------------------------------|----|
| Current - Maximum per Contact | 1A |
|-------------------------------|----|



*image - Reference only*

**EU RoHS**

**ELV and RoHS  
Compliant**  
**REACH SVHC**  
 Not Reviewed  
**Halogen-Free  
Status**

**China RoHS**



**Not Reviewed**

**Need more information on product  
environmental compliance?**

Email [productcompliance@molex.com](mailto:productcompliance@molex.com)  
 For a multiple part number RoHS Certificate of Compliance, [click here](#)

Please visit the [Contact Us](#) section for any non-product compliance questions.

**Search Parts in this Series**

[55638Series](#)

**Mates With**

[54559](#) QF-50™ Flat Cable Receptacle Housing

Voltage - Maximum

300V

**Material Info**

**Reference - Drawing Numbers**

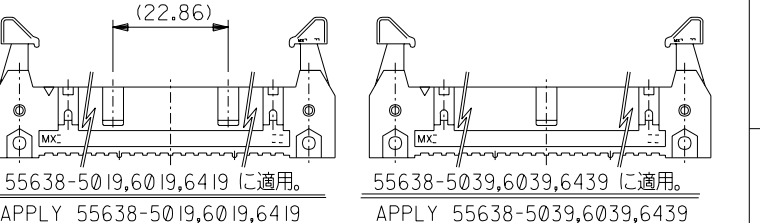
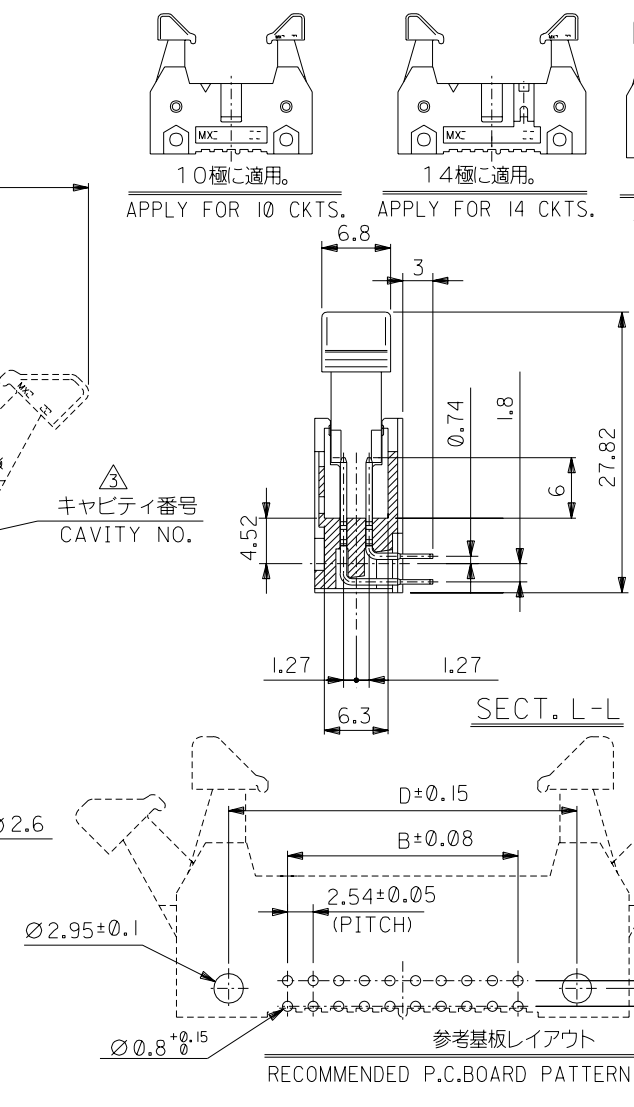
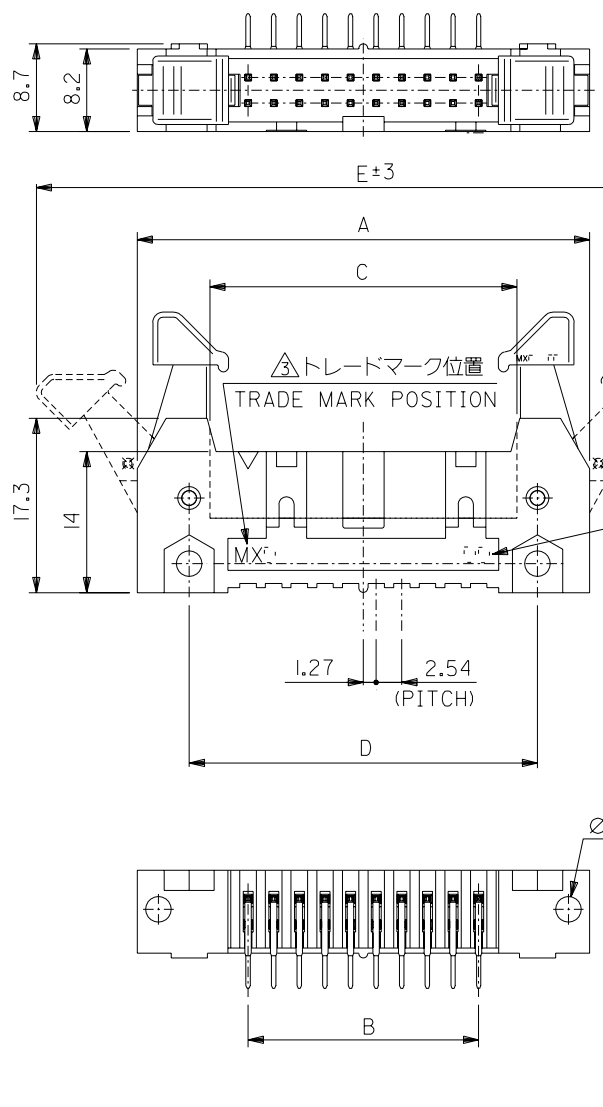
Product Specification  
Sales Drawing

PS-54559-005, RPS-54559-017  
SD-55638-003

This document was generated on 06/02/2010

**PLEASE CHECK [WWW.MOLEX.COM](http://WWW.MOLEX.COM) FOR LATEST PART INFORMATION**

DO NOT SCALE DRAWING



**注記 NOTES**

- 材料 ハウジング : PBT (UL94V-0), 黒色  
 レバー : PBT (UL94V-0), 黒色  
 ターミナル : リン青銅 (ニッケル下地 錫・金メッキ)  
 MATERIAL HOUSING : PBTP, UL94V-0, BLACK  
 LEVER : PBTP, UL94V-0, BLACK  
 TERMINAL : PHOSPHOR BRONZE (GOLD, TIN PLATING, NICKEL UNDER-PLATING)
- 嵌合相手 : 54559 シリーズ  
 MATE WITH : 54559 SERIES
- △トレードマーク: MX プラス 1 文字の製造工場を示すアルファベットにて構成  
 但し、\* J \* は JAPAN を示す。(例 MX J)  
 キャビティ番号: 1 桁の数字で表示  
 金型番号: アルファベット 1 文字にて構成。  
 FORMED BY MX AND 1 MORE LETTER OF ALPHABET WHICH MEAN THE MANUFACTORY, BUT \*J\* MEANS JAPAN. (TO TRADE MARK) (e.g. MXJ) AND BY 1 DIGIT NUMBER (TO CAVITY NO.) AND BY 1 LETTER OF ALPHABET (TO MOLD NO.)
- 本製品は55638-\*\*\*11, -\*\*\*31の鉛フリー品である。  
 THIS PRODUCT IS LEAD FREE OF 55638-\*\*\*11, -\*\*\*31.

|        |       |       |       |        |              |      |
|--------|-------|-------|-------|--------|--------------|------|
| 120.31 | 90.42 | 86.34 | 78.74 | 100.74 | 55638-6419   | 64   |
| 120.31 | 90.42 | 86.34 | 78.74 | 100.74 | 55638-6439   |      |
| 115.23 | 85.34 | 81.26 | 73.66 | 95.66  | 55638-6019   | 60   |
| 115.23 | 85.34 | 81.26 | 73.66 | 95.66  | 55638-6039   |      |
| 102.53 | 72.64 | 68.56 | 60.96 | 82.96  | 55638-5019   | 50   |
| 102.53 | 72.64 | 68.56 | 60.96 | 82.96  | 55638-5039   |      |
| 89.83  | 59.94 | 55.86 | 48.26 | 70.26  | 55638-4019   | 40   |
| 82.21  | 52.32 | 48.24 | 40.64 | 62.64  | 55638-3419   | 34   |
| 77.13  | 47.24 | 43.16 | 35.56 | 57.56  | 55638-3019   | 30   |
| 72.05  | 42.16 | 38.08 | 30.48 | 52.48  | 55638-2619   | 26   |
| 64.43  | 34.54 | 30.46 | 22.86 | 44.86  | 55638-2019   | 20   |
| 59.35  | 29.46 | 25.38 | 17.78 | 39.78  | 55638-1619   | 16   |
| 56.81  | 26.92 | 22.84 | 15.24 | 37.24  | 55638-1419   | 14   |
| 51.73  | 21.84 | 17.76 | 10.16 | 32.16  | 55638-1019   | 10   |
| E      | D     | C     | B     | A      | MATERIAL NO. | CKT. |

|                                  |                                  |                                  |                                  |                                  |  |                      |           |   |                           |  |                           |   |                                  |  |     |
|----------------------------------|----------------------------------|----------------------------------|----------------------------------|----------------------------------|--|----------------------|-----------|---|---------------------------|--|---------------------------|---|----------------------------------|--|-----|
| EC NO.<br>DRWN:<br>CHK:<br>APPR: | EC NO.<br>DRWN:<br>CHK:<br>APPR: | EC NO.<br>DRWN:<br>CHK:<br>APPR: | EC NO.<br>DRWN:<br>CHK:<br>APPR: | EC NO.<br>DRWN:<br>CHK:<br>APPR: | RELEASED<br>EC NO. J2004-3613<br>DRWN: Y.WADA '04/04/06<br>CHK: M.SASAO '04/04/06<br>APPR: M.SASAO '04/04/06 | MATERIAL<br>材料       | SEE NOTES | GENERAL TOLERANCES:<br>(UNLESS SPECIFIED)<br>一般公差 | SCALE                     | DESIGN UNITS   | THIRD ANGLE<br>PROJECTION | DIMENSIONS:   |                                  | SHT  | REV |
|                                  |                                  |                                  |                                  |                                  |  | FINISH<br>仕上げ        | SEE NOTES |   | 2 : 1                     | <input checked="" type="checkbox"/> mm <input type="checkbox"/> INCH |                           | <input type="checkbox"/> mm <input type="checkbox"/> INCH | <input type="checkbox"/> mm ONLY | REVISION<br>CAD ONLY   |     |
|                                  |                                  |                                  |                                  |                                  |  | WIRE RANGE<br>適用電線範囲 | — // —    |   | 10 UNDER<br>未満            | ±0.2   |                           | DRAWN BY & DATE<br>Y.WADA '04/04/06                       |                                  | TITLE: 2.54 mm FLAT CABLE CONN.<br>HEADER ASS'Y(R/A TYPE)<br>-LEAD FREE- |     |
|                                  |                                  |                                  |                                  |                                  |  | INS. RANGE<br>被覆外径   | — // —    |   | 10 OVER 30 UNDER<br>以上 未満 | ±0.25  |                           | CHECKED BY & DATE<br>M.SASAO '04/04/06                    |                                  | MOLEX MOLEX INCORPORATED   |     |
|                                  |                                  |                                  |                                  |                                  |  | ANGLE<br>角度          | ±3°       | CAD FILENAME<br>SD-55638-003.S01                  | MATERIAL NO.<br>SEE CHART | DRAWING NO.<br>SD-55638-003  | SHEET NO.<br>1 OF 1       |   |                                  |  |     |

THIS DRAWING CONTAINS INFORMATION THAT IS PROPRIETARY TO MOLEX INCORPORATED AND SHOULD NOT BE USED WITHOUT WRITTEN PERMISSION. SIZE B