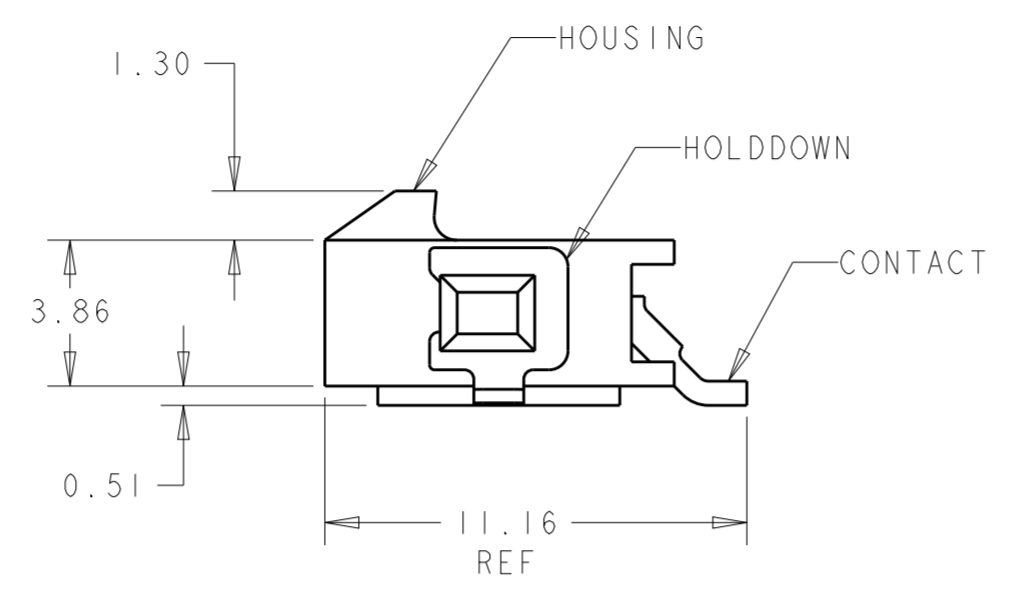
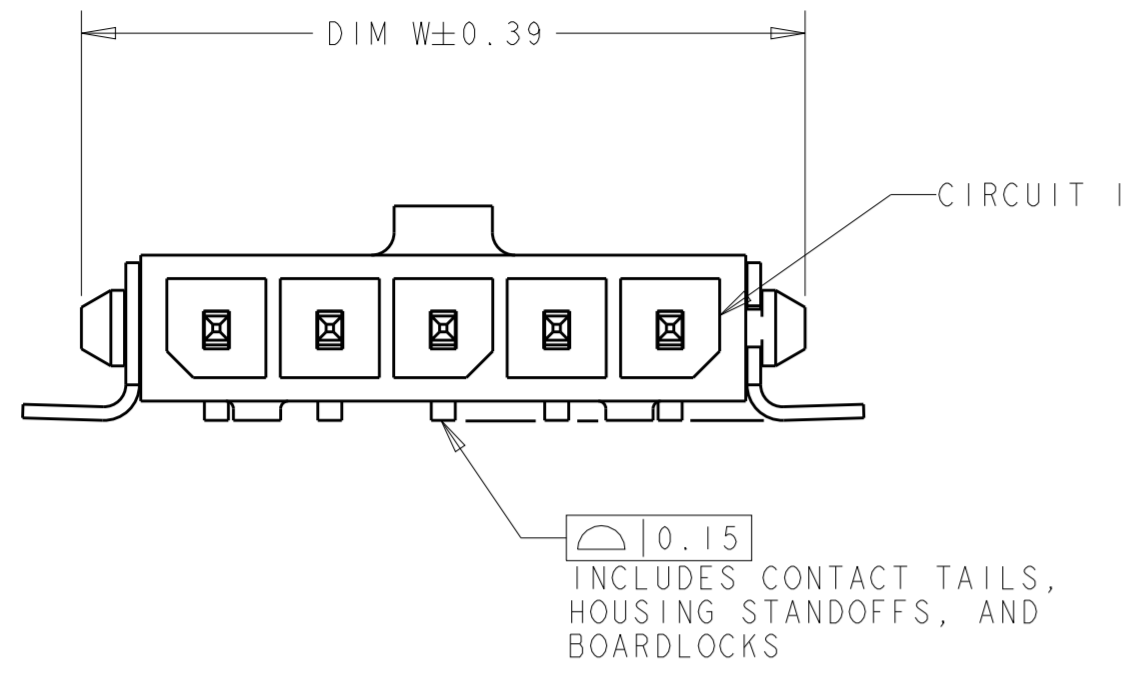
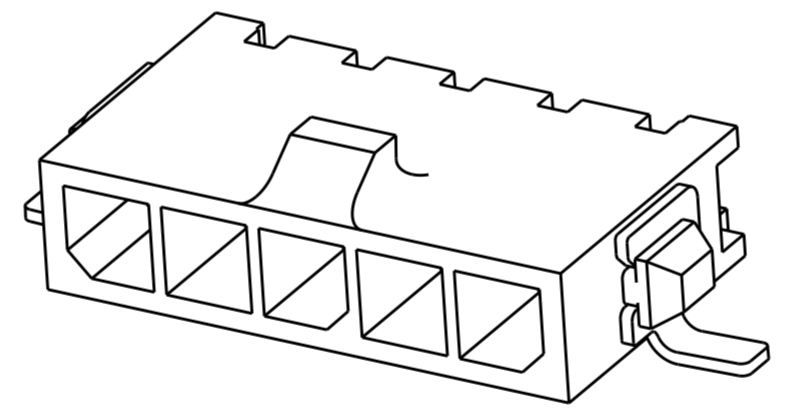
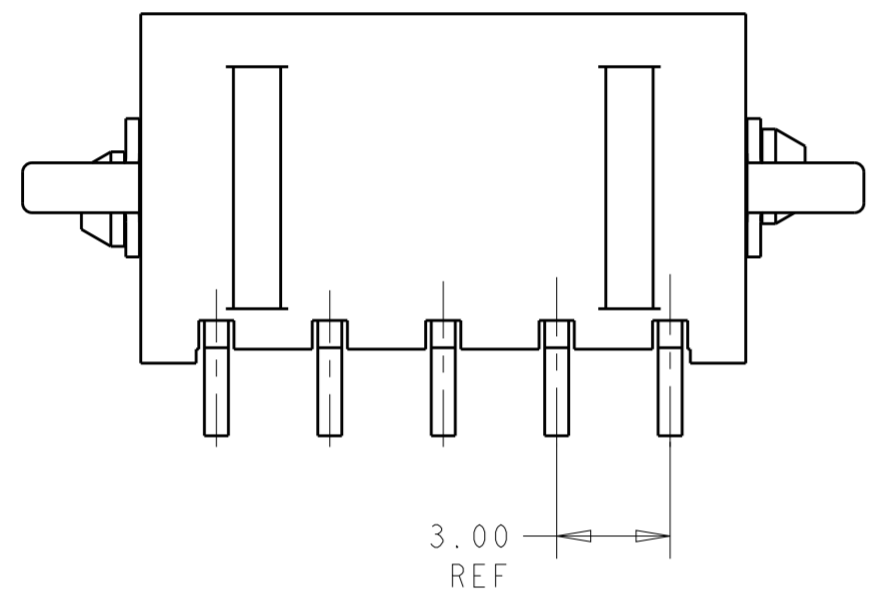


THIS DRAWING IS UNPUBLISHED. RELEASED FOR PUBLICATION 20  
 © COPYRIGHT 20 BY - ALL RIGHTS RESERVED.

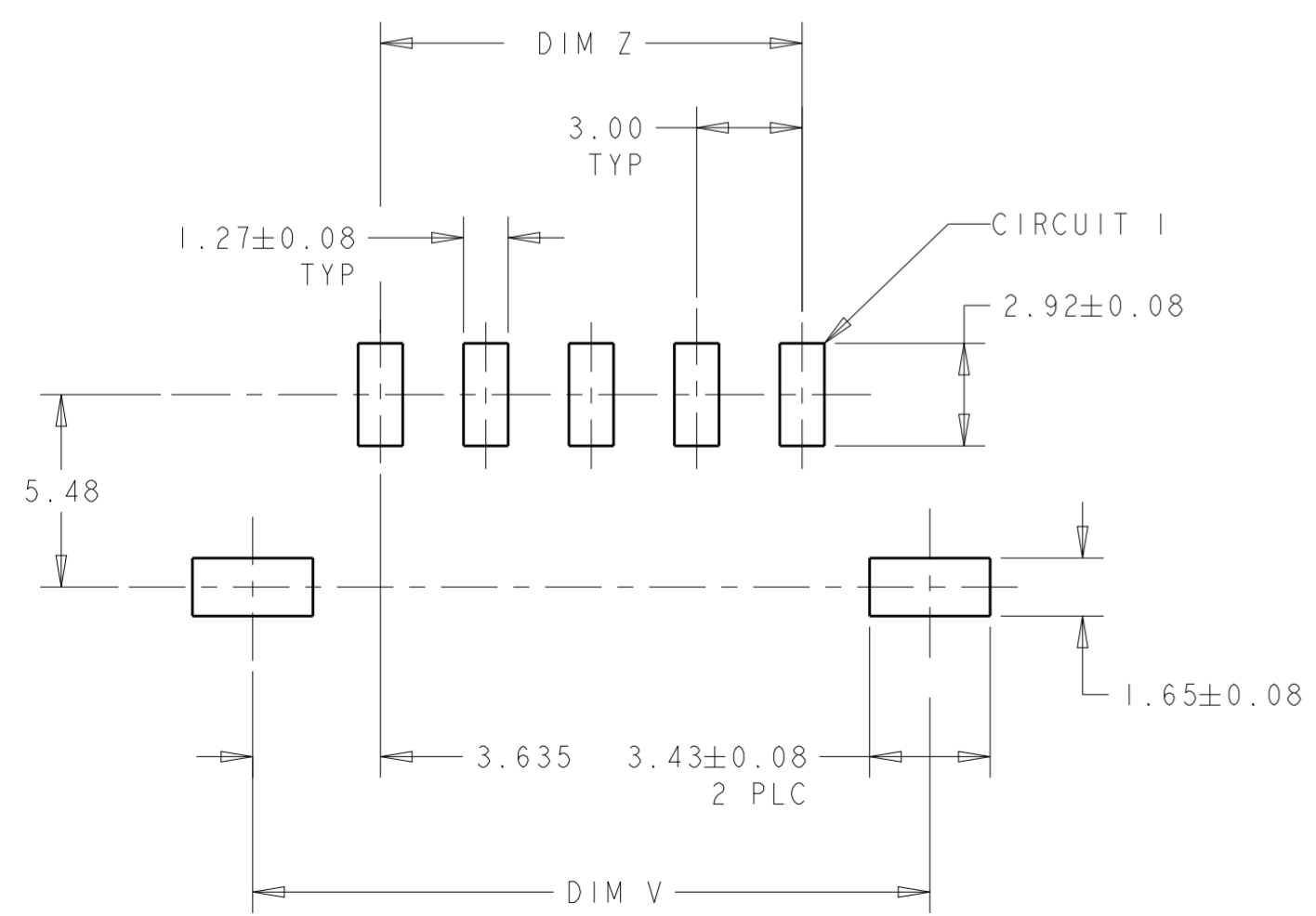
LOC		DIST		REVISIONS			
P	LTR	DESCRIPTION	DATE	DWN	APVD		
CM	00						
	C2	REVISED PER ECR-15-018732	12JAN2016	SC	DZ		



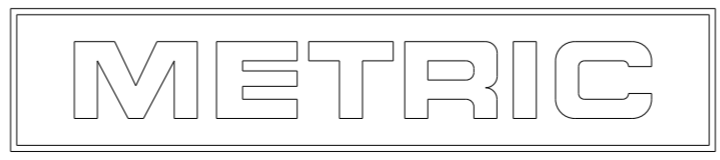
- 1 MATERIAL: CONTACTS - BRASS  
HOUSING - UL 94V-0 RATED HIGH TEMP NYLON, COLOR BLACK.  
HOLDDOWNS: - PHOSPHOR BRONZE.
- 2 PLATING: CONTACTS- 2.54µm MINIMUM TIN LEAD OVER 1.27µm MINIMUM NICKEL.  
HOLDDOWNS- 2.54µm MINIMUM TIN-LEAD OVER 1.27µm MINIMUM NICKEL.
- 4 RECOMMENDED PC BOARD THICKNESS OF 1.57.
- 5 PLATING: CONTACTS-2.54µm MINIMUM TIN OVER 1.27µm MINIMUM NICKEL.  
HOLDDOWNS- 2.54µm MINIMUM TIN OVER 1.27µm MINIMUM NICKEL.



5	33.00	40.27	40.00	12	3-1445057-2
5	30.00	37.27	37.00	11	3-1445057-1
5	27.00	34.27	34.00	10	3-1445057-0
5	24.00	31.27	31.00	9	2-1445057-9
5	21.00	28.27	28.00	8	2-1445057-8
5	18.00	25.27	25.00	7	2-1445057-7
5	15.00	22.27	22.00	6	2-1445057-6
5	12.00	19.27	19.00	5	2-1445057-5
5	9.00	16.27	16.00	4	2-1445057-4
5	6.00	13.27	13.00	3	2-1445057-3
5	3.00	10.27	10.00	2	2-1445057-2
2	33.00	40.27	40.00	12	1-1445057-2
2	30.00	37.27	37.00	11	1-1445057-1
2	27.00	34.27	34.00	10	1-1445057-0
2	24.00	31.27	31.00	9	1445057-9
2	21.00	28.27	28.00	8	1445057-8
2	18.00	25.27	25.00	7	1445057-7
2	15.00	22.27	22.00	6	1445057-6
2	12.00	19.27	19.00	5	1445057-5
2	9.00	16.27	16.00	4	1445057-4
2	6.00	13.27	13.00	3	1445057-3
2	3.00	10.27	10.00	2	1445057-2
FINISH	DIM Z	DIM V	DIM W	NO. OF POSN	PART NUMBER



PCB LAYOUT COMPONENT SIDE 4



THIS DRAWING IS A CONTROLLED DOCUMENT.

DWN J. ROOT 03-OCT-2000  
 CHK K. WHITAKER 13-MAR-2001  
 APVD K. WHITAKER 13-MAR-2001

TE Connectivity

NAME RT ANGLE SURFACE MOUNT HEADER ASSY, TIN CONTACTS W/SURF MOUNT HOLDDOWNS, SINGLE ROW, MICRO MATE-N-LOK™

PRODUCT SPEC 108-1836  
 APPLICATION SPEC 114-13000

SIZE A2 CAGE CODE 00779 DRAWING NO. C-1445057 RESTRICTED TO

MATERIAL SEE TABLE

CUSTOMER DRAWING SCALE 5:1 SHEET 1 OF 1 REV C2