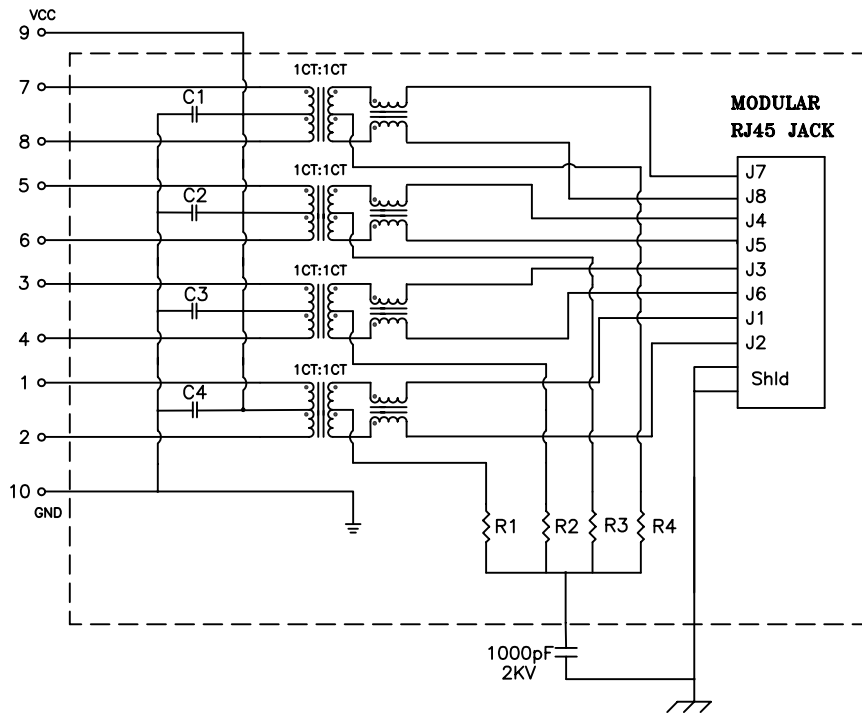


Schematic(LOWER ROW&UPPER ROW):



R1,R2,R3,R4: 75 ±1% OHMS C1,C2,C3,C4: 0.10uF

Electrical Specifications: @25°C

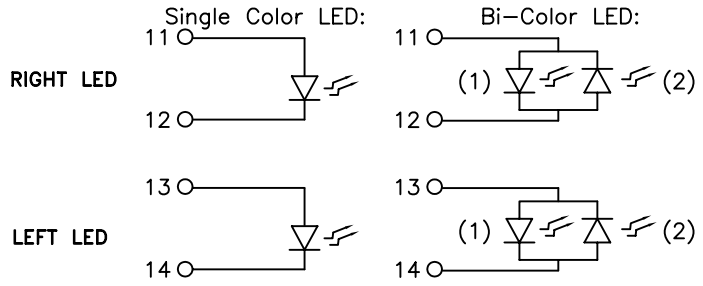
300 Vrms

RETURN LOSS: -18dB Min @1-30MHz

-30dB Typ @1-50MHz
-20dB Typ @50-150MHz

CI
Crosstalk: -40dB Typ @1-30MHz
-35dB Typ @30-60MHz
-30dB Typ @60-80MHz
Q:18Min @100KHz 100mV

- Notes:
1. Solderability: Leads shall meet MIL-STD-202G, Method 208H for solderability.
 2. Flammability: UL94V-0
 3. ASTM oxygen index: > 28%
 4. Insulation System: Class F 155°C. UL file E151556
 5. Operating Temperature Range: All listed parameters are to be within tolerance from -40°C to +85°C
 6. Storage Temperature Range: -55°C to +125°C
 7. Aqueous wash compatible
 8. Electrical and mechanical specifications 100% tested
 9. RoHS Compliant Component



LED SCHEMATIC

Complete the Combo P/N as follows:

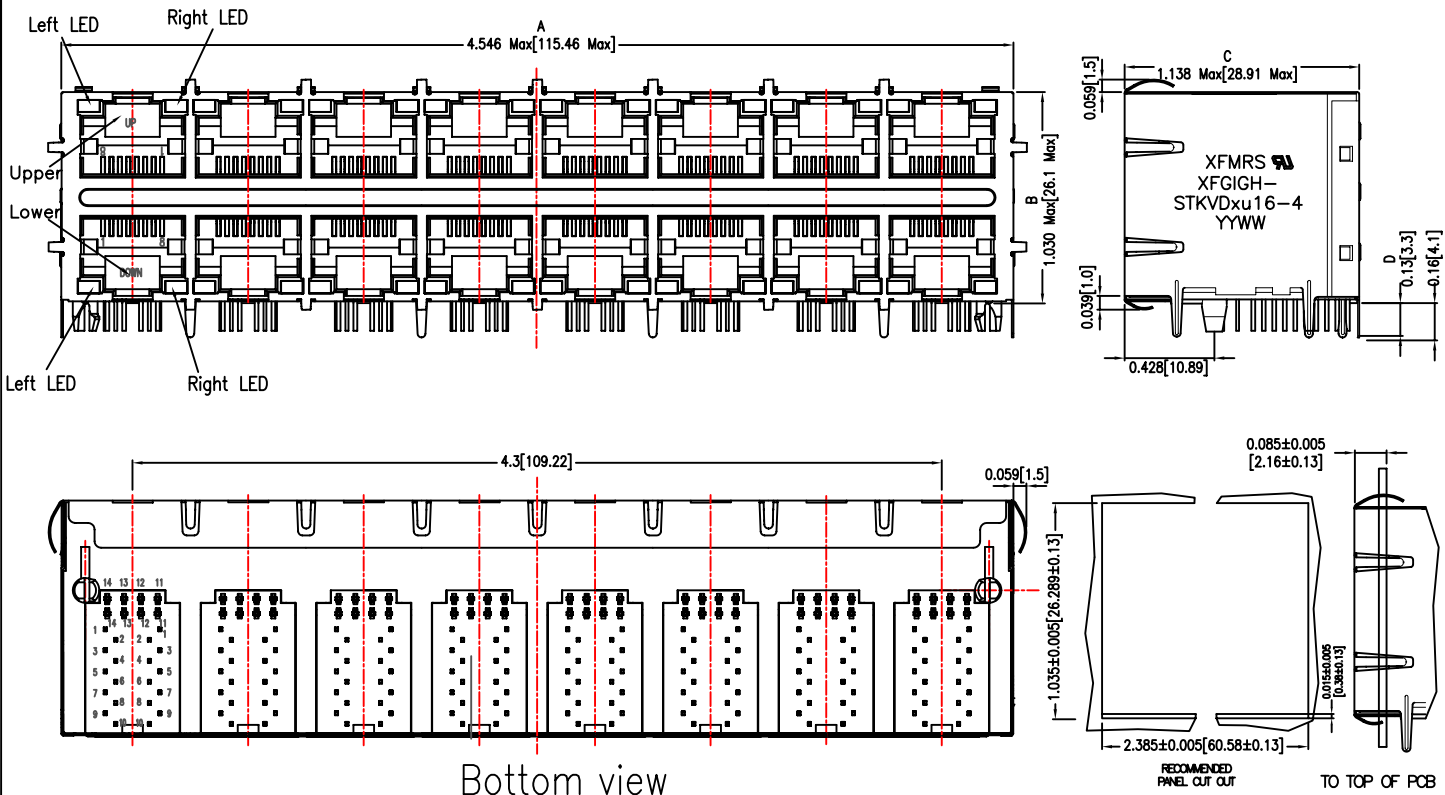
Replace 'x' & 'u' in the part number with one of the LED color letters:
 Y=Yellow 'x' = Left LED Color
 G=Green 'u' = Right LED Color
 A=Amber
 R=Red
 C=Green(1)/Amber(2) Bicolor
 D=Amber(1)/Green(2) Bicolor
 M=Green(1)/Yellow(2) Bicolor
 N=Yellow(1)/Green(2) Bicolor
 P=Red(1)/Green(2) Bicolor
 Q=Green(1)/Red(2) Bicolor
 E=Red(1)/Yellow(2) Bicolor
 F=Yellow(1)/Red(2) Bicolor
 H=Amber(1)/Yellow(2) Bicolor
 J=Green(1)/Green(2) Bicolor

DOC REV.: A/3

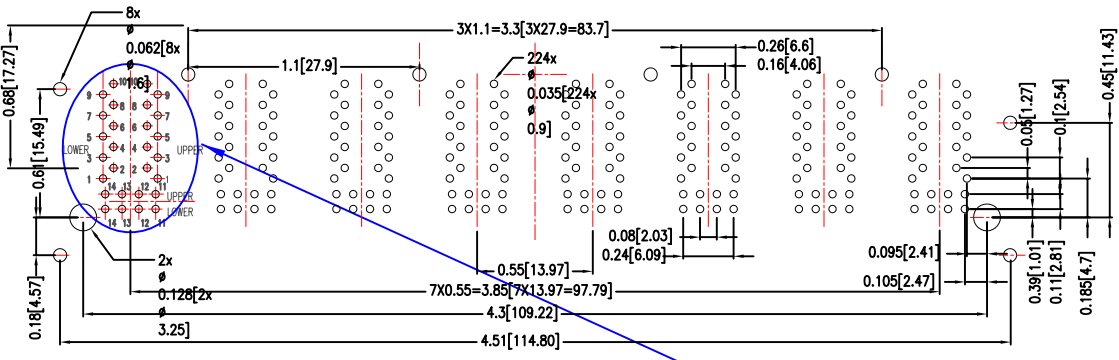
PROPRIETARY:
Document is the property of XFMR Group & is not allowed to be duplicated without authorization.

XFMR Inc. www.XFMR.com		Title: 2X8 Gigabit Stacked Combo with dual Rows LED	
UNLESS OTHERWISE SPECIFIED TOLERANCES: .xxx ±0.010 Dimensions in Inch		P/N: XFGIGH-STKVDxu16-4	REV. A
SHEET 1 OF 2		DWN. Xiany	May-13-09
		CHK. YK Liao	May-13-09
		APP. BW	May-13-09

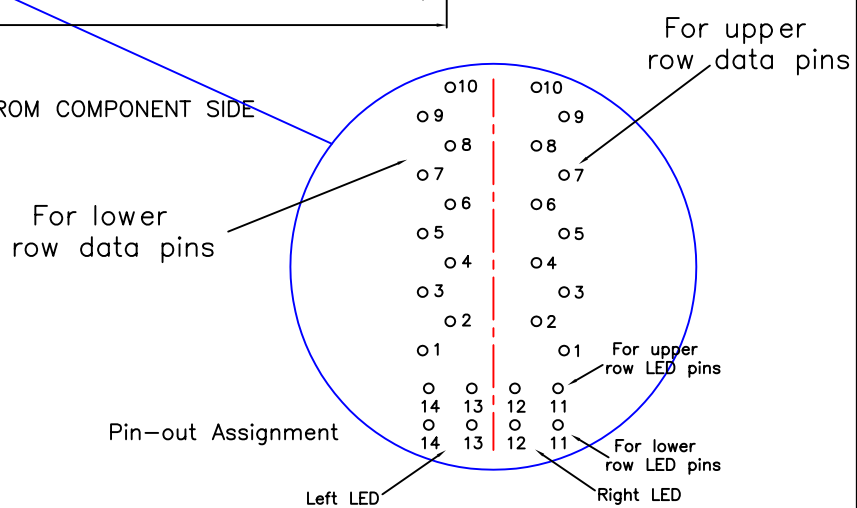
Mechanical Dimensions:



Bottom view



P.C.B. RECOMMENDED HOLE LAYOUT SEEN FROM COMPONENT SIDE



XFMRS Inc.
www.XFMRS.com

Title: Mechanical Dimensions For 2x8 Stacked COMBO with Vertical Dual lines Pins

DOC REV: A/3

UNLESS OTHERWISE SPECIFIED TOLERANCES:
.xxx ±0.010
Dimensions in Inch

P/N: XFGIGH-STKVDxu16-4	REV. A
DWN. Xiany	May-13-09
CHK. YK Liao	May-13-09
APP. BW	May-13-09

PROPRIETARY

Document is the property of XFMRS Group & is not allowed to be duplicated without authorization.