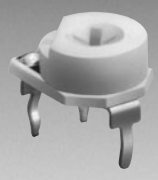


*RoHS COMPLIANT



BOURNS®

Features

- 9 mm Round / Single Turn / Carbon Commercial / Open Frame
- Both sides adjust
- Cross slot and hexagon adjustment designs
- Horizontal and vertical mounting styles

- Dust resistant/splash resistant covers
- PC board stand-offs and retention feature
- RoHS compliant*

3319 - 9 mm Round Trimming Potentiometer

Electrical Characteristics

Standard Resistance Range100 to 1 megohm
 (see standard resistance table)
 Resistance Tolerance±25 % std.
 End Resistance2 % max. (≤2K = 30 ohms)
 Contact Resistance Variation3 % max.
 Resolution.....Infinite
 Adjustment Angle235 ° nom.

Environmental Characteristics

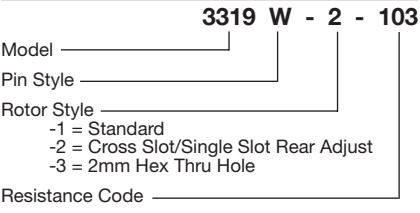
Power Rating (200 volts max.)
 70 °C.....0.2 watt
 Temperature Range-25 °C to +100 °C
 Temperature Coefficient±1000 ppm/°C
 Load Life1,000 hours 0.2 watt @ 70 °C
 (<100K = +3/-7 % ΔTR)
 (≤100K = +3/-10 % ΔTR)

Physical Characteristics

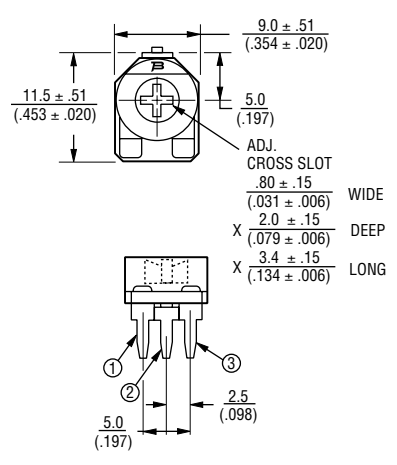
Torque (Operating)5 oz-in. max.
 Stop Strength11.0 oz-in. min.
 TerminalsSolderable pins
 MarkingManufacturer's trademark, resistance code
 Standard Packaging200 pcs. per bag
 Adjustment ToolH-90

Aqueous cleaning not recommended

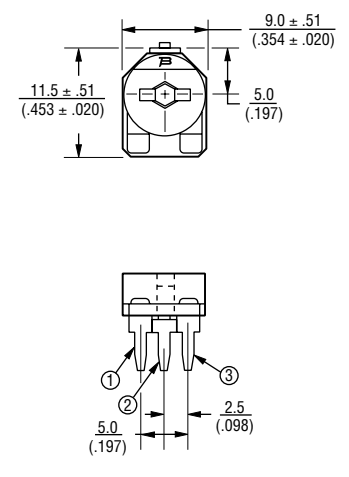
How To Order



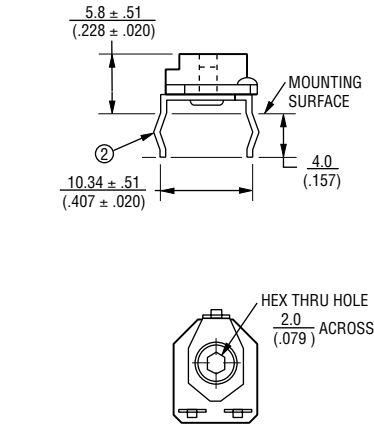
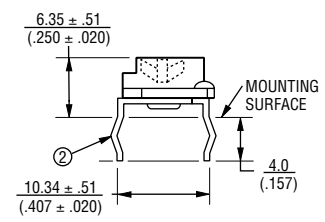
3319P Common Dimensions



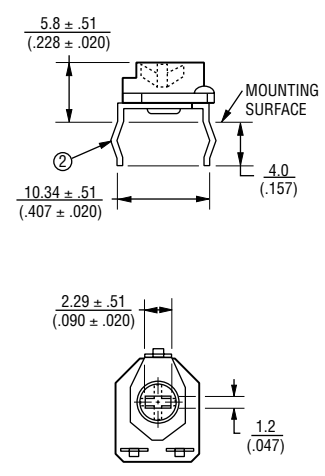
3319P-3 Both Sides Adjust/Hex



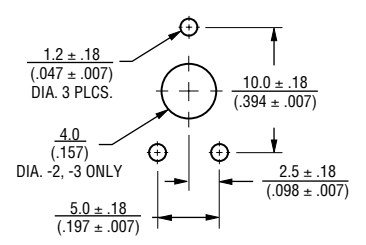
3319P-1 Top Adjust



3319P-2 Both Sides Adjust/Cross Slot



SUGGESTED PWB LAYOUT - 3319P



TOLERANCES: ± 0.25 (.010) EXCEPT WHERE NOTED

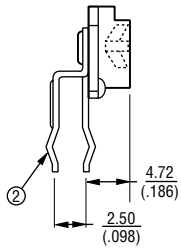
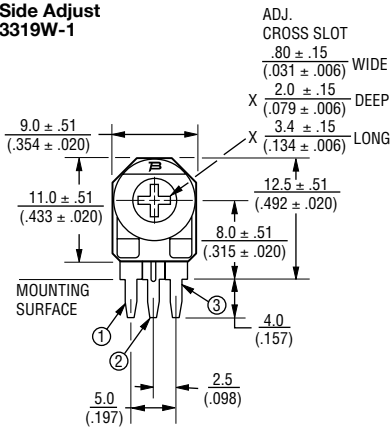
DIMENSIONS ARE: $\frac{\text{MM}}{\text{(INCHES)}}$

*RoHS Directive 2002/95/EC Jan 27 2003 including Annex. Specifications are subject to change without notice. Customers should verify actual device performance in their specific applications.

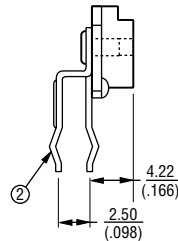
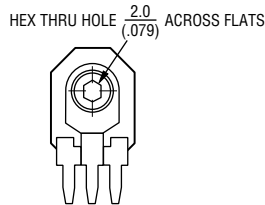
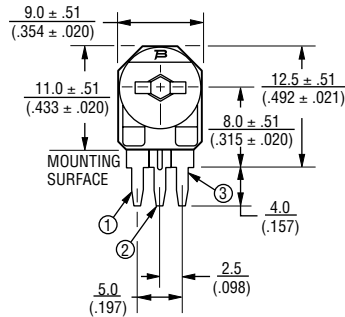
3319 - 9 mm Round Trimming Potentiometer

BOURNS®

Side Adjust 3319W-1



3319W-3 Both Sides Adjust/Hex

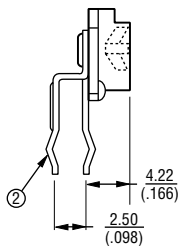
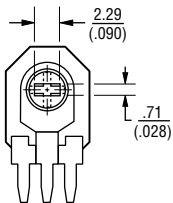


Standard Resistance Table

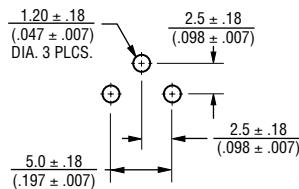
| Resistance (Ohms) | Resistance Code |
|-------------------|-----------------|
| 100 | 101 |
| 200 | 201 |
| 500 | 501 |
| 1,000 | 102 |
| 2,000 | 202 |
| 5,000 | 502 |
| 10,000 | 103 |
| 20,000 | 203 |
| 50,000 | 503 |
| 100,000 | 104 |
| 200,000 | 204 |
| 500,000 | 504 |
| 1,000,000 | 105 |

Popular distribution resistance values listed in boldface.

3319W-2 Both Sides Adjust /Cross Slot



SUGGESTED PWB LAYOUT - 3319W



TOLERANCES: ± 0.25 (.010) EXCEPT WHERE NOTED

DIMENSIONS ARE: $\frac{\text{MM}}{\text{(INCHES)}}$

