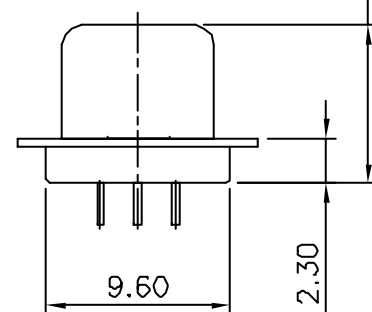
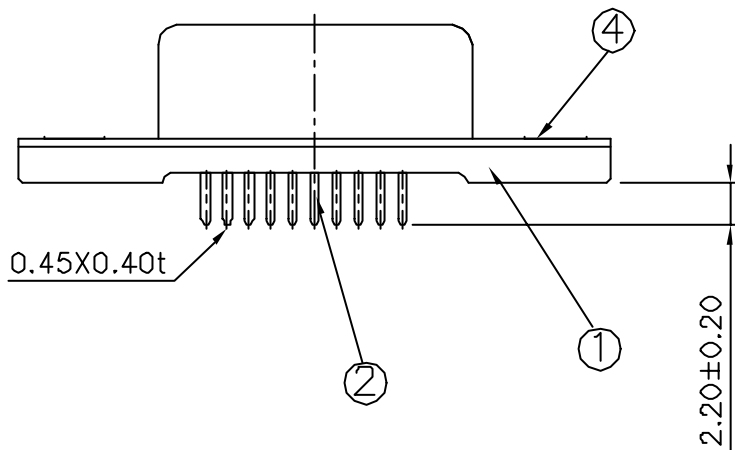


NOTE:
070907FR015□□00CU

1. Selective plating
 G1-05u"Min. Gold in contact area/
 G2-Gold flash in contact area/
 G3-10u"Min. Gold in contact area/
 G4-15u"Min. Gold in contact area/
 G5-30u"Min. Gold in contact area/
 G6-50u"Min. Gold in contact area/



4	Rivet	COPPER	—	Nickel plated
3	Shell	SPCC	—	Tin plated
2	Terminal	Pho. Bronze	—	Gold water flash
1	Housing	High Temp. ULW(8811)	—	UL 94V-0
NO.	DESCRIPTION	MATERIAL	COLOR	REMARK

SUYIN
CONNECTOR

CUSTOMER COPY	TITLE: 15 PIN HD D-SUB CONNECTOR FEMALE LOW PROFILE		
PART NO.	070907FS015GX00CU		
PART NO. (OLD)	—		
DRAWING NO.	D	070907FS015GX00CU	
SCALE	2:1	UNIT	mm
		A4	

ECN (DCN) NO.	0	REV	NEW	DATE	DESCRIPTION	CHANGE	APPRO.	Angle	±2°	DRAW
								30 ~	±0.50	DESIGN
								10 ~ 30	±0.30	CHECK
								~ 10	±0.15	APPRO.
								GENERAL TOLERANCE UNLESS OTHERWISE NOTED		