

PLEASE CHECK WWW.MOLEX.COM FOR LATEST PART INFORMATION

Part Number: [0359550150](#)
Status: **Active**
Description: 6.35mm (.250") Tab Wire-to-Wire Plug Housing, 1 Circuit, Locking Window

Documents:

[Drawing \(PDF\)](#) [RoHS Certificate of Compliance \(PDF\)](#)

General

Product Family	Crimp Housings
Series	35955
Product Name	N/A

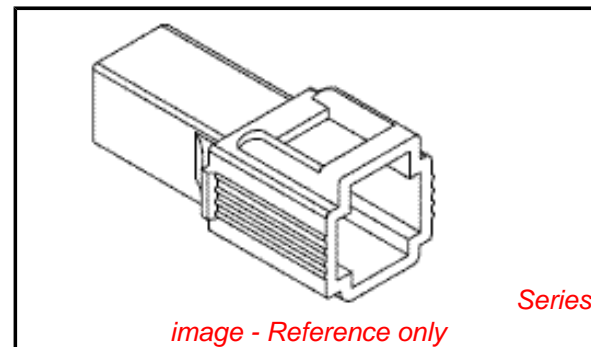
Physical

Circuits (maximum)	1
Color - Resin	Natural
Gender	Male
Glow-Wire Compliant	No
Lock to Mating Part	Yes
Material - Resin	Polyester Alloy
Number of Rows	1
Packaging Type	Bag
Panel Mount	No
Pitch - Mating Interface (in)	0.000 In
Pitch - Mating Interface (mm)	0.00 mm
Polarized to Mating Part	Yes
Stackable	No
Temperature Range - Operating	-40°C to +120°C

Material Info

Reference - Drawing Numbers

Packaging Specification	PK-35955-001
Sales Drawing	SD-35955-0110



EU RoHS

**ELV and RoHS
Compliant**
REACH SVHC
 Not Reviewed
**Halogen-Free
Status**
 Not Reviewed

China RoHS



**Need more information on product
environmental compliance?**

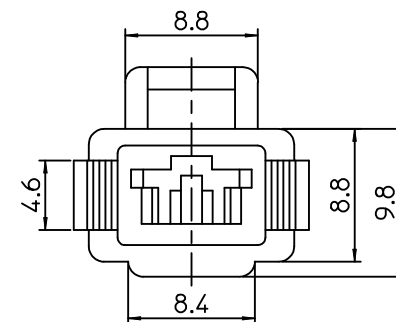
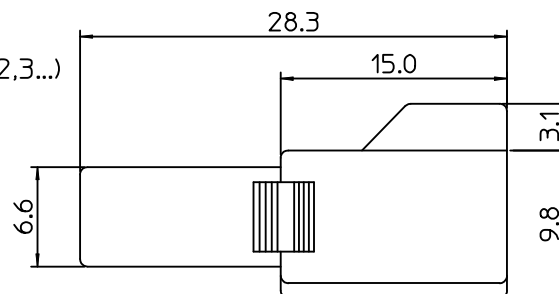
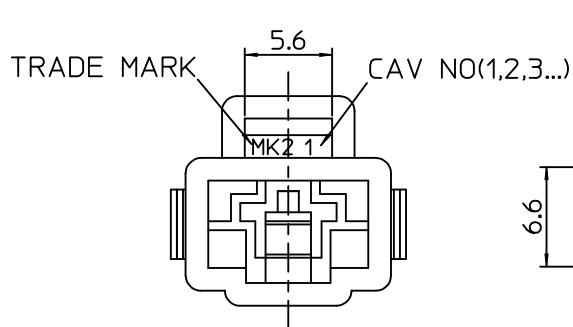
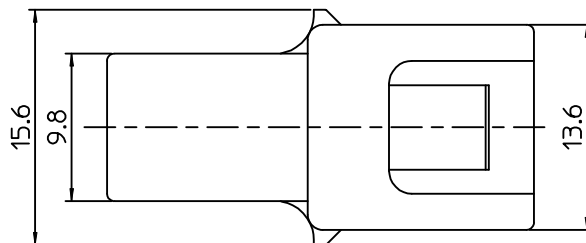
Email productcompliance@molex.com
 For a multiple part number RoHS Certificate of
 Compliance, [click here](#)

Please visit the [Contact Us](#) section for any
 non-product compliance questions.

Search Parts in this Series
[35955Series](#)

Mates With
[35955-0160](#)

Use With
[35725-18*0|35725-19*0|35725-30*0](#)



NOTES.

1. MATERIAL & COLOR & APPLICABLE TERMINAL : SEE TABLE

MATERIAL NO.	ENG NO.	MATERIAL	COLOR
359550110	35955-0110	PA66(UL94V-2)	NATURAL
359550130	35955-0130	PBT(UL94V-0)	NATURAL
359550150	35955-0150	PC/PET(UL94V-0)	NATURAL
359550151	35955-0151		BLACK
359550153	35955-0153		YELLOW

APPLICABLE TERMINAL			
35725-18*0	35725-19*0	35725-30*0	

2. MATED HOUSING & APPLICABLE TERMINAL : SEE TABLE

MATERIAL NO.	ENG NO.	MATERIAL	COLOR
359550120	35955-0120	PA66(UL94V-2)	NATURAL
359550140	35955-0140	PBT(UL94V-0)	NATURAL
359550160	35955-0160	PC/PET(UL94V-0)	NATURAL
359550161	35955-0161		BLACK
359550163	35955-0163		YELLOW

APPLICABLE TERMINAL			
35725-36*0	35725-37*0	35725-38*0	

REVISED EC NO: KOR2009-0054 DRWN: JHPARK01 2008/10/27 CHKD: WY. YANG 2008/10/27 APPR: YUNS.IKKIM 2008/10/27	QUALITY SYMBOLS	GENERAL TOLERANCES (UNLESS SPECIFIED)	DIMENSION STYLE	SCALE	DESIGN UNITS	THIRD ANGLE PROJECTION																							
	=0 =0	<table border="1"> <thead> <tr> <th></th> <th>mm</th> <th>INCH</th> </tr> </thead> <tbody> <tr> <td>4 PLACES</td> <td>± ---</td> <td>± ---</td> </tr> <tr> <td>3 PLACES</td> <td>± ---</td> <td>± ---</td> </tr> <tr> <td>2 PLACES</td> <td>± 0.30</td> <td>± ---</td> </tr> <tr> <td>1 PLACE</td> <td>± 0.30</td> <td>± ---</td> </tr> </tbody> </table>		mm	INCH	4 PLACES	± ---	± ---	3 PLACES	± ---	± ---	2 PLACES	± 0.30	± ---	1 PLACE	± 0.30	± ---	MM ONLY	3:1	METRIC									
		mm	INCH																										
	4 PLACES	± ---	± ---																										
3 PLACES	± ---	± ---																											
2 PLACES	± 0.30	± ---																											
1 PLACE	± 0.30	± ---																											
<table border="1"> <thead> <tr> <th>REV</th> <th>DESCRIPTION</th> </tr> </thead> <tbody> <tr> <td> </td> <td> </td> </tr> </tbody> </table>	REV	DESCRIPTION			<table border="1"> <thead> <tr> <th>DRAWN BY</th> <th>DATE</th> <th>TITLE</th> </tr> </thead> <tbody> <tr> <td>JS. KANG</td> <td>1999/08/16</td> <td rowspan="2">.250 RECEPTACLE HSG-1P</td> </tr> <tr> <td>CHECKED BY</td> <td>DATE</td> </tr> <tr> <td>BK. CHOI</td> <td>1999/08/16</td> <td></td> </tr> <tr> <td>APPROVED BY</td> <td>DATE</td> <td></td> </tr> <tr> <td>CW. LEE</td> <td>1999/08/16</td> <td></td> </tr> </tbody> </table>	DRAWN BY	DATE	TITLE	JS. KANG	1999/08/16	.250 RECEPTACLE HSG-1P	CHECKED BY	DATE	BK. CHOI	1999/08/16		APPROVED BY	DATE		CW. LEE	1999/08/16		<table border="1"> <thead> <tr> <th>MATERIAL NO.</th> <th>DOCUMENT NO.</th> <th>SHEET NO.</th> </tr> </thead> <tbody> <tr> <td>SEE TABLE</td> <td>SD-35955-0110</td> <td>1 OF 01</td> </tr> </tbody> </table>	MATERIAL NO.	DOCUMENT NO.	SHEET NO.	SEE TABLE	SD-35955-0110	1 OF 01
REV	DESCRIPTION																												
DRAWN BY	DATE	TITLE																											
JS. KANG	1999/08/16	.250 RECEPTACLE HSG-1P																											
CHECKED BY	DATE																												
BK. CHOI	1999/08/16																												
APPROVED BY	DATE																												
CW. LEE	1999/08/16																												
MATERIAL NO.	DOCUMENT NO.	SHEET NO.																											
SEE TABLE	SD-35955-0110	1 OF 01																											
DRAFT WHERE APPLICABLE MUST REMAIN WITHIN DIMENSIONS		THIS DRAWING CONTAINS INFORMATION THAT IS PROPRIETARY TO MOLEX INCORPORATED AND SHOULD NOT BE USED WITHOUT WRITTEN PERMISSION																											