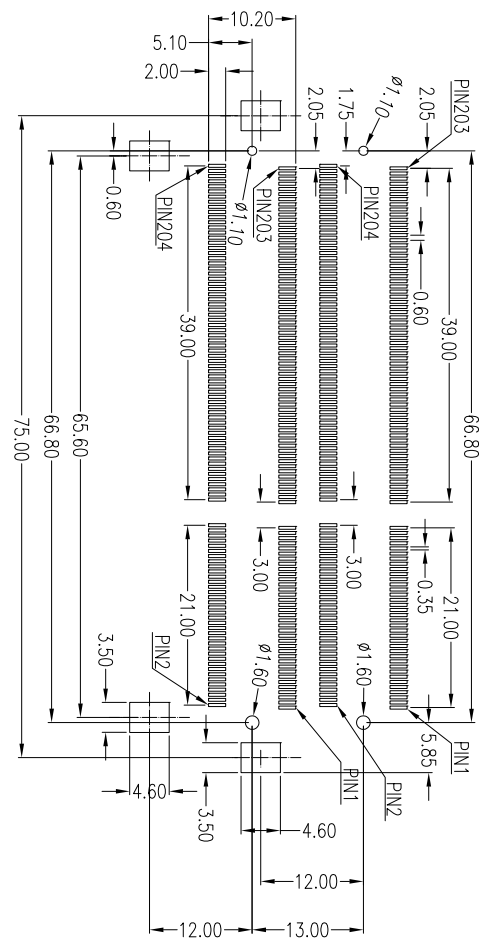
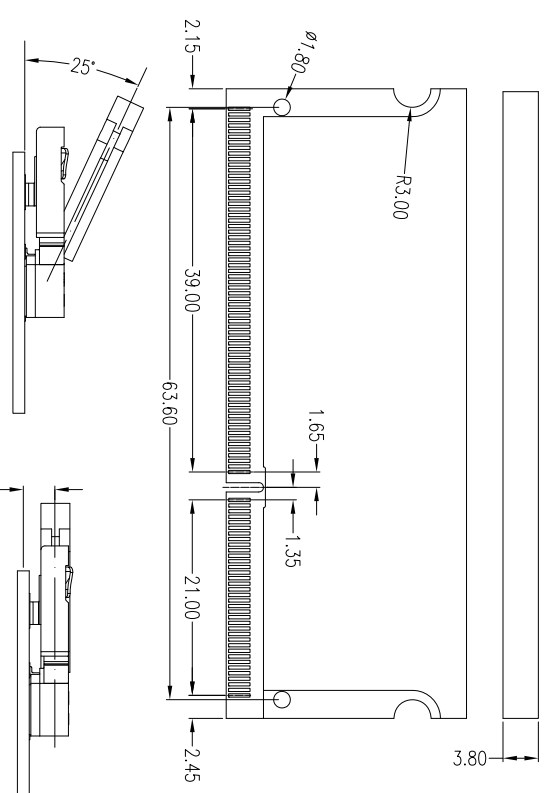
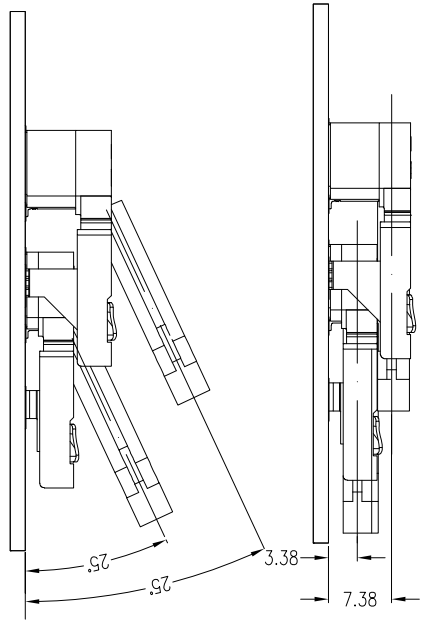
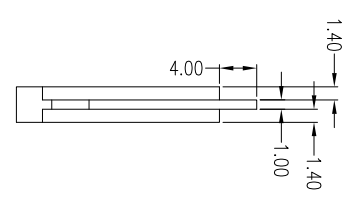
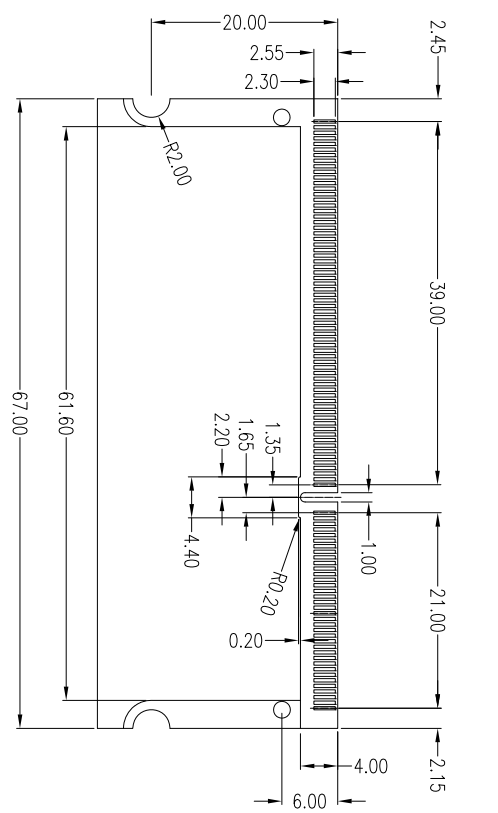


APPROVED: _____

DATE: _____ TITLE: _____

Rev	AWO #	Description	Date	Appr
		SEE SHT 1 OF 2 FOR REVISION		



UNLESS OTHERWISE SPECIFIED
ALL DIMENSIONS ARE MM
TOLERANCES: EXCEPT AS NOTED
INCHES

.X	± .10	ØXX	± .10
.XX	± .020	ØXXX	± .015
.XXX	± .015	ØXXXX	± .010

APPROVALS

DRAWN	DY	DATE
CHECKED		
APPROVED		

ADAM TECH
909 Rahway Avenue, Union, NJ 07083
Phone: 908-687-5000 Fax: 908-687-5710

TITLE
**SO DIMM SOCKET, 204 PIN, SMT
1.5V DRAM, 5.2MM HEIGHT**

SIZE	PART NO.	REV.
X	SOD-204-S-4-5.2	

REF: S00127T SCALE: NTS SHEET 2 OF 2