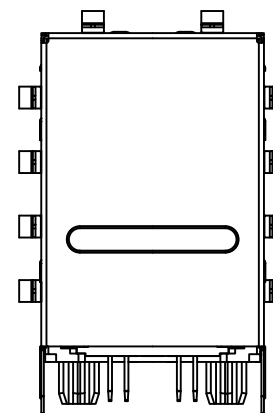
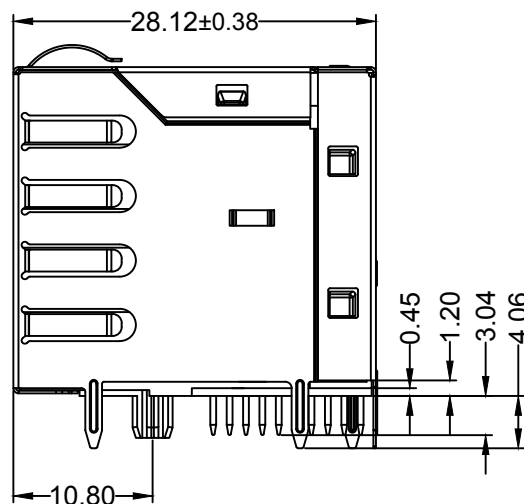
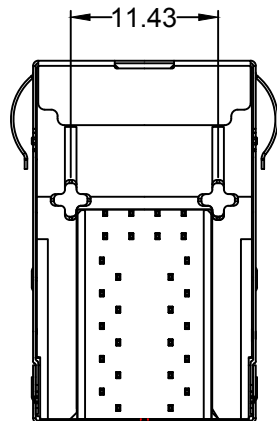
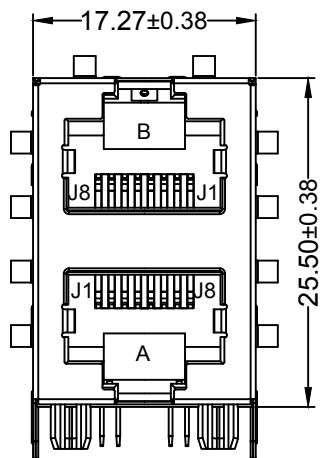
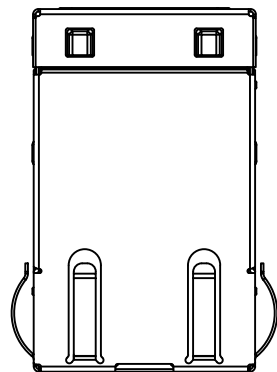



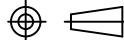
REV.	ECN. NO.	NAME	DATE

MECHANICAL DIMENSIONS :

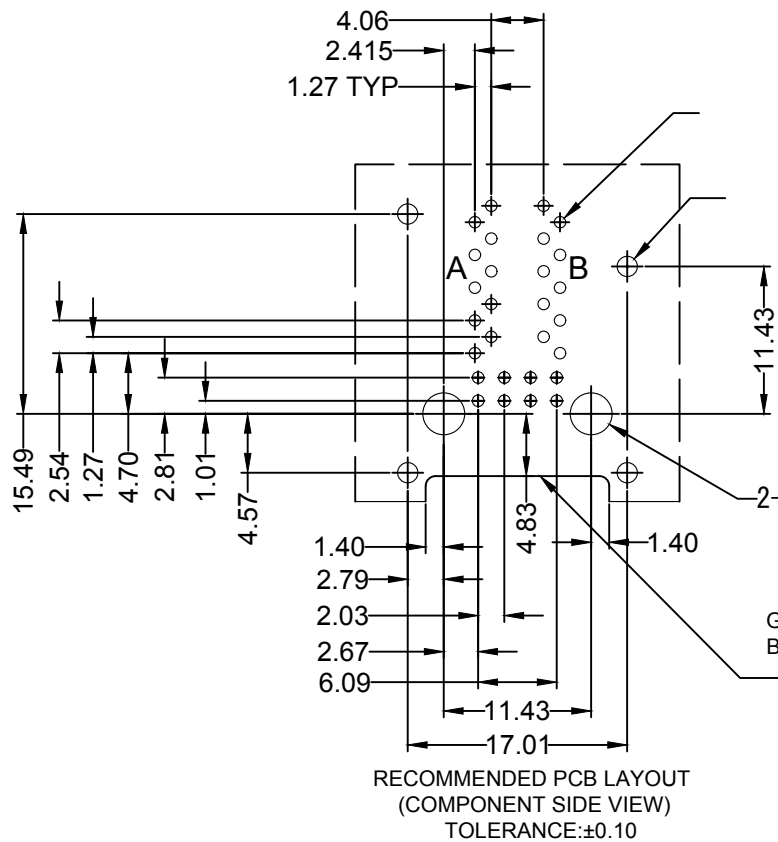


BACK VIEW

RoHS Compliant


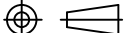
TOLERANCE UNSPECIFIED		 a vital connector company		FOR YOUR VITAL CONNECTION	
.0	± 0.38			TITLE: RJ45 2*1 10/100/1000 BASE-T	
.00	± 0.25	DRAWN BY: ALEX		PART NO: R21UG10W3DL02	
.000	± 0.10	CHECKED BY: VTA		UNIT: mm	
ANGLE	± 3.00°	APPROVED BY: QPF		SHEET: 1 of 6	
MANUFACTURING COPY		PROJECTION		FCN: B6	
				 http://www.vitalconn.com	

REV.	ECN. NO.	NAME	DATE



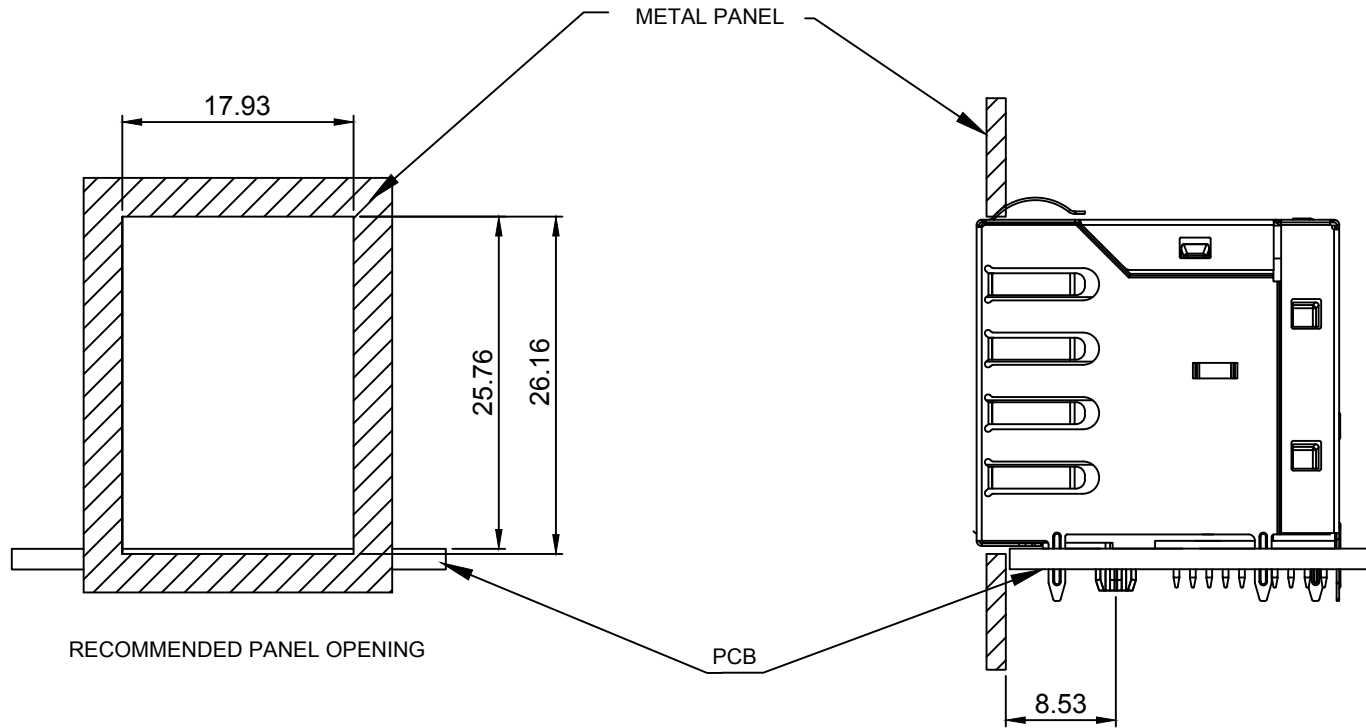
- PIN-OUT INFORMATION
(COMPONENT SIDE VIEW)
- P10 ⊕ P10
 - P9 ⊕ P9
 - P8 ⊕ P8
 - P7 ⊕ P7
 - P6 ⊕ P6
 - P5 ⊕ P5
 - P4 ⊕ P4
 - P3 ⊕ P3
 - P2 ⊕ P2
 - P1 ⊕ P1
 - D4 ⊕ D4
 - D3 ⊕ D3
 - D2 ⊕ D2
 - D1 ⊕ D1
- ← UPPER PORT LED
← LOWER PORT LED

RoHS Compliant

TOLERANCE UNSPECIFIED		 a vital connector company		FOR YOUR VITAL CONNECTION	
.0	± 0.38			TITLE: RJ45 2*1 10/100/1000 BASE-T	
.00	± 0.25	DRAWN BY: ALEX		PART NO: R21UG10W3DL02	
.000	± 0.10	CHECKED BY: VTA		UNIT: mm	
ANGLE	± 3.00°	APPROVED BY: QPF		SHEET: 2 of 6	
MANUFACTURING COPY		PROJECTION		FCN: B6	
				 http://www.vitalconn.com	

REV.	ECN. NO.	NAME	DATE


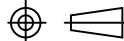
SUGGESTED PANEL OPENING



NOTE:

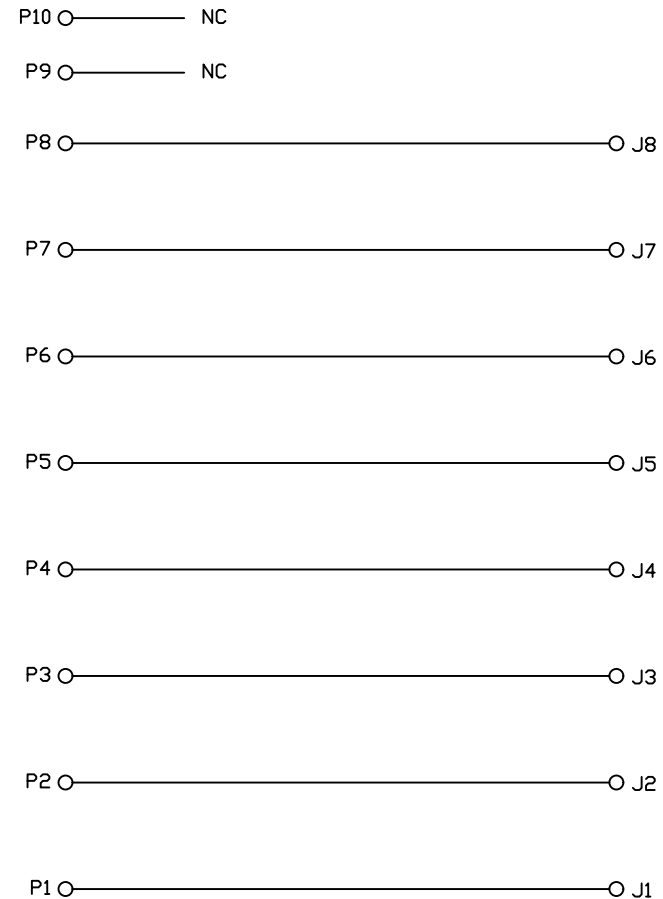
THE DISTANCE OF PANEL INSIDE SURFACE RELATIVE TO FRONT SURFACE OF PART IS ONLY A SUGGESTION.
 IN CASE THIS DISTANCE IS DIFFERENT, THE REQUIRED PANEL OPENING DIMENSIONS CHANGE ACCORDINGLY.

RoHS Compliant

TOLERANCE UNSPECIFIED		 a vital connector company		FOR YOUR VITAL CONNECTION	
.0	± 0.38			TITLE: RJ45 2*1 10/100/1000 BASE-T	
.00	± 0.25	DRAWN BY: ALEX		PART NO: R21UG10W3DL02	
.000	± 0.10	CHECKED BY: VTA		REV: A	
ANGLE	± 3.00°	APPROVED BY: QPF		SIZE: A4	
MANUFACTURING COPY		PROJECTION		UNIT: mm	
				SHEET: 3 of 6	
				FCN: B6	
				 http://www.vitalconn.com	

REV.	ECN. NO.	NAME	DATE

SCHEMATIC (PORT A) :




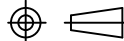
SPECIFICATIONS:

1. COMPLIES WITH IEEE STANDARDS AND ALL 10/100/1000M ETHERNET SPECIFICATIONS INCLUDING 350UH WITH 8MA DC BIAS
2. INTER GRATED MAG-MODULAR DESIGN PROVIDES HIGHER RELIABILITY AND CONSERVES MINIMIZING PCB SPACE
3. HOUSING : THERMOPLASTIC LCP UL94 V0 RATED
4. RJ45 CONTACT : PHOSPHOR BRONZE C5210, THICKNESS=0.30MM PLATED NICKEL 30U" MIN, 6U" GOLD PLATED ON CONTACT AREA
5. INPUT TERMINAL : BRASS, THICKNESS=0.30MM FINISH : 120U"MIN TIN OVER 50U" MIN NICKEL
6. METAL SHIELDING : COPPER ALLOY WITH NICKEL PLATED (C2680) THICKNESS=0.20MM NICKEL 30U" MIN
7. DIFFERENT COLOR OF LEDS OPTION AVAILABLE
8. OPERATING TEMPERATURE : -0°C TO +70°C
9. STORAGE TEMPERATURE : -40°C TO +85°C

ELECTRICAL SPECIFICATIONS (25°C±5°C) :

1. DIELECTRIC WITHSTAND :
(P1 / P3 / P5 / P7) : (P2 / P4 / P6 / P8) : 500V AC
2. DC RESISTANCE :
(P1~J1) : (P2~J2) : (P3~J3) : (P4~J4) : 1.0 OHMS MAX
(P5~J5) : (P6~J6) : (P7~J7) : (P8~J8) : 1.0 OHMS MAX

RoHS Compliant

TOLERANCE UNSPECIFIED		 a vital connector company		FOR YOUR VITAL CONNECTION	
.0	± 0.38			TITLE: RJ45 2*1 10/100/1000 BASE-T	
.00	± 0.25	DRAWN BY: ALEX		PART NO: R21UG10W3DL02	
.000	± 0.10	CHECKED BY: VTA		REV: A	
ANGLE	± 3.00°	APPROVED BY: QPF		SHEET: 4 of 6	
MANUFACTURING COPY		SIZE: A4		FCN: B6	
		PROJECTION		 http://www.vitalconn.com	

REV.	ECN. NO.	NAME	DATE

ELECTRICAL SPECIFICATIONS (25°C±5°C) :

1. TRANSMITTER FILTER & RECEIVER FILTER

1.1 INSERTION LOSS:

-1.1dB MAXIMUM AT 1MHz TO 100MHz;

1.2 RETURN LOSS(Load:100 ohms):

-16dB MINIMUM AT 1MHz TO 40MHz

-10+20LOG(F/80)dB MINIMUM AT 40MHz TO 100MHz

2. COMMON TO COMMON MODE REJECTION:

-30dB MINIMUM AT 1MHz TO 100MHz

3. CROSS TALK:

-35dB MINIMUM AT 1MHz TO 40MHz

-33+20Log(F/50)dB MINIMUM AT 40MHz TO 100MHz

4 .LX:(100KHz,100mV,8mA, DC Bias)

PINS: (P1,P2),(P3,P4),(P5,P6),(P7,P8)=350uH MINIMUM

5. HI-POT TEST:

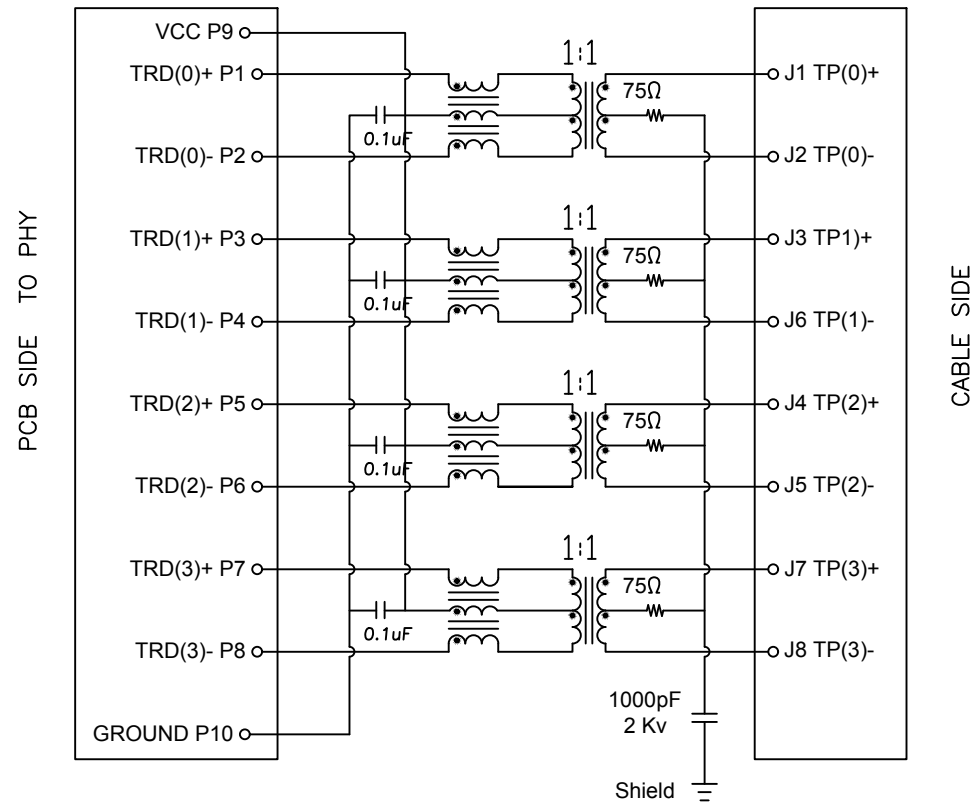
PINS:(P1-P2) TO (J1-J2) : 1500V AC 60S OR 2250VDC 60S

PINS:(P3-P4) TO (J3-J6) : 1500V AC 60S OR 2250VDC 60S


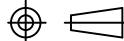
PINS:(P5-P6) TO (J4-J5) : 1500V AC 60S OR 2250VDC 60S

PINS:(P7-P8) TO (J7-J8) : 1500V AC 60S OR 2250VDC 60S

SCHEMATIC(PORT B):

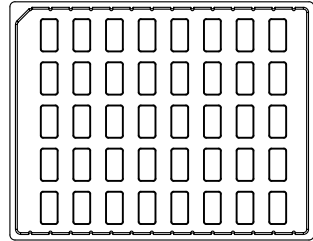


RoHS Compliant

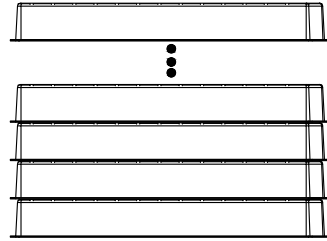
TOLERANCE UNSPECIFIED		 a vital connector company		FOR YOUR VITAL CONNECTION	
.0	± 0.38			TITLE: RJ45 2*1 10/100/1000 BASE-T	
.00	± 0.25	DRAWN BY: ALEX		PART NO: R21UG10W3DL02	
.000	± 0.10	CHECKED BY: VTA		UNIT: mm	
ANGLE	± 3.00°	APPROVED BY: QPF		SHEET:5 of 6	
MANUFACTURING COPY		PROJECTION		FCN: B6	
				 http://www.vitalconn.com	

REV.	ECN. NO.	NAME	DATE

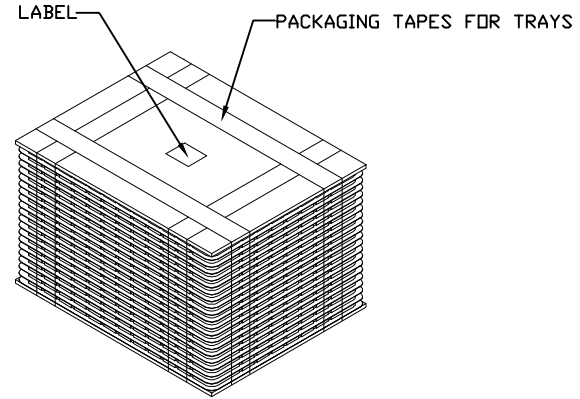
PACKAGE INFORMATION AND LABEL



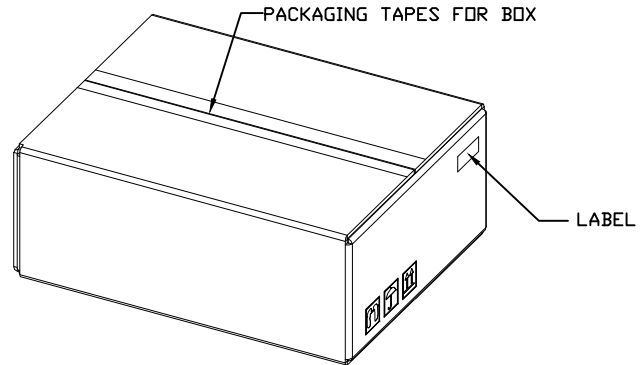
1. PRODUCTS IN TRAYS



2. TRAYS OVERLAY



3. LABEL & PACKAGING TAPES FOR TRAYS:



4. LABEL & PACKAGING TAPES FOR BOX

PACKAGING LISTS	
ITEM	Q'TY
PRODUCT	200 PCS
TRAY	5 PCS
BOX(L340*W265*H200MM)	1 PCS
LABLE	2 PCS
PACKAGING TAPES	8 M (ABOUT)

RoHS Compliant

TOLERANCE UNSPECIFIED		VITALCONN a vital connector company		FOR YOUR VITAL CONNECTION	
.0	± 0.38			TITLE: RJ45 2*1 10/100/1000 BASE-T	
.00	± 0.25	DRAWN BY: ALEX		PART NO: R21UG10W3DL02	
.000	± 0.10	CHECKED BY: VTA		SIZE: A4	
ANGLE	± 3.00°	APPROVED BY: QPF		UNIT: mm	
MANUFACTURING COPY		PROJECTION		SHEET: 6 of 6	
				FCN: B6	
				http://www.vitalconn.com	