

**PLEASE CHECK WWW.MOLEX.COM FOR LATEST PART INFORMATION**

**Part Number:** [0670688011](#)  
**Status:** **Active**  
**Description:** Universal Serial Bus (USB), Shielded I/O, Type B Receptacle, Right Angle with Straight Tabs, Color Black, 0.76µm (30µ") Gold (Au) Plating, Tray Pack, Lead Free

**Documents:**

[3D Model](#) [Product Specification PS-67998-0000 \(PDF\)](#)  
[Drawing \(PDF\)](#) [RoHS Certificate of Compliance \(PDF\)](#)

**General**

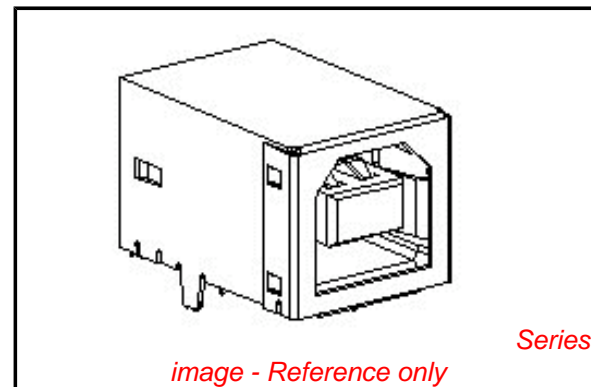
|                |                       |
|----------------|-----------------------|
| Product Family | I/O Connectors        |
| Series         | <a href="#">67068</a> |
| Application    | Wire-to-Board         |
| Comments       | Single                |
| Component Type | Receptacle            |
| Product Name   | USB                   |
| Type           | B                     |

**Physical**

|                                |              |
|--------------------------------|--------------|
| Boot Color                     | N/A          |
| Circuits (Loaded)              | 4            |
| Circuits (maximum)             | 4            |
| Gender                         | Receptacle   |
| Lock to Mating Part            | Yes          |
| Material - Plating Mating      | Gold         |
| Material - Plating Termination | Tin          |
| Number of Rows                 | 2            |
| Orientation                    | Right Angle  |
| PC Tail Length (in)            | 0.110 In     |
| PC Tail Length (mm)            | 2.80 mm      |
| PCB Locator                    | Yes          |
| PCB Retention                  | Yes          |
| PCB Thickness Recommended (in) | 0.063 In     |
| PCB Thickness Recommended (mm) | 1.60 mm      |
| Packaging Type                 | Tray         |
| Panel Mount                    | No           |
| Pitch - Mating Interface (in)  | 0.098 In     |
| Pitch - Mating Interface (mm)  | 2.50 mm      |
| Pitch - Term. Interface (in)   | 0.098 In     |
| Pitch - Term. Interface (mm)   | 2.50 mm      |
| Plating min: Mating (µin)      | 30           |
| Plating min: Mating (µm)       | 0.76         |
| Polarized to Mating Part       | Yes          |
| Polarized to PCB               | Yes          |
| Ports                          | 1            |
| Surface Mount Compatible (SMC) | Yes          |
| Temperature Range - Operating  | 0°C to +50°C |
| Termination Interface: Style   | Through Hole |
| Waterproof / Dustproof         | No           |
| Wire Size AWG                  | N/A          |

**Electrical**

|                               |             |
|-------------------------------|-------------|
| Current - Maximum per Contact | 1.5A        |
| Shield Type                   | Full Shield |
| Shielded                      | Yes         |
| Voltage - Maximum             | 30V (RMS)   |



**EU RoHS**

**ELV and RoHS  
Compliant**  
**REACH SVHC**  
 Not Reviewed  
**Halogen-Free  
Status**

**China RoHS**



**Not Reviewed**  
**Need more information on product  
environmental compliance?**

Email [productcompliance@molex.com](mailto:productcompliance@molex.com)  
 For a multiple part number RoHS Certificate of Compliance, [click here](#)

Please visit the [Contact Us](#) section for any non-product compliance questions.

**Search Parts in this Series**

[67068Series](#)

**Mates With**

[USB Type B Plug](#)

**Solder Process Data**

|  |                        |
|--|------------------------|
| Duration at Max. Process Temperature (seconds) | 5                      |
| Lead-free Process Capability                   | Wave Capable (TH only) |
| Max. Cycles at Max. Process Temperature        | 1                      |
| Process Temperature max. C                     | 260                    |

**Material Info****Reference - Drawing Numbers**

|                       |               |
|-----------------------|---------------|
| Product Specification | PS-67998-0000 |
| Sales Drawing         | SD-67068-003  |

This document was generated on 04/07/2010

**PLEASE CHECK [WWW.MOLEX.COM](http://WWW.MOLEX.COM) FOR LATEST PART INFORMATION**

10 9 8 7 6 5 4 3 2 1

NOTES :

1. MATERIAL :  
 HOUSING : (a) HIGH TEMP. NYLON ,GLASS FIBER FILLED,UL94V-0, COLOR: BLACK,  
 (b) POLYESTER , GLASS FIBER FILLED,UL94V-0, COLOR: WHITE,  
 TERMINAL : PHOSPHOR BRONZE  
 METAL SHELL : COPPER ALLOY

2. PLATING :

TERMINAL :  
 CONTACT AREA : (a) GOLD FLASH.  
 (b) GLOD (Au), THICKNESS = 30 MICROINCH MINIMUM.  
 /0.76 MICROMETER MINIMUM.

SOLDER TAIL :  
 PURE TIN(Sn) THICKNESS= 75 MICROINCH MINIMUM .  
 /1.9 MICROMETER MINIMUM.

UNDER PLATE : NICKEL (Ni), THICKNESS= 50 MICROINCH MINIMUM.  
 /1.27 MICROMETER MINIMUM.

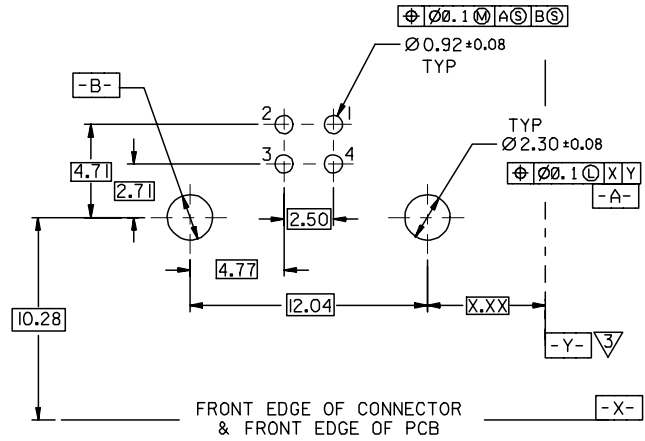
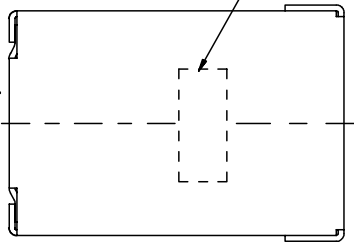
METAL SHELL :  
 PURE TIN(Sn) , THICKNESS= 50 MICROINCH MINIMUM.  
 /1.27 MICROMETER MINIMUM.

UNDER PLATE : NICKEL (Ni) , THICKNESS= 50 MICROINCH MINIMUM.  
 /1.27 MICROMETER MINIMUM.

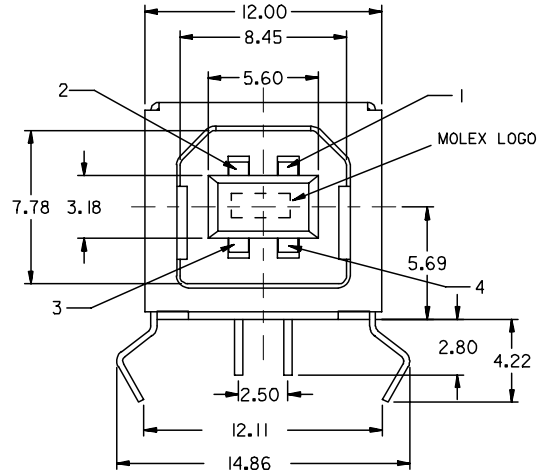
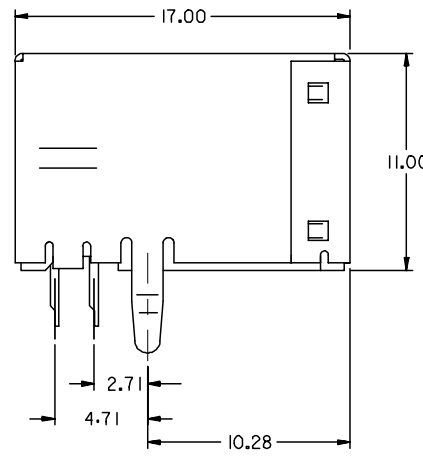
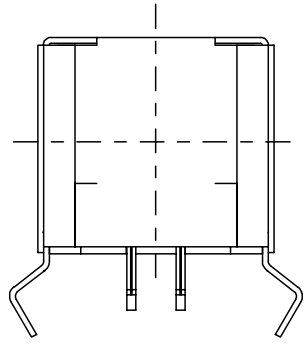
▽ DATUM AND BASIC DIMENSIONS ESTABLISHED BY CUSTOMER  
 RECOMMENDED PCB THICKNESS : 1.60±0.05

4 PRODUCT SPECIFICATION : REFER TO PS-67998-0000

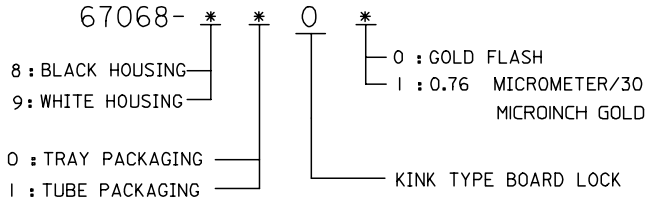
MOLEX ID OF MFG PLANT CODE



FRONT EDGE OF CONNECTOR & FRONT EDGE OF PCB  
 RECOMMENDED PCB LAYOUT



PART NUMBER LEGEND:



|   |             |
|---|-------------|
| NEW RELEASE<br>EC NO: SH2005-0142<br>DRWN: DAVID HU 2004/11/5<br>CHKD: HARVEY 2004/11/25<br>APPR: TYAP 2004/11/25 | DESCRIPTION |
| REV A   |             |

|                 |      |
|-----------------|------|
| QUALITY SYMBOLS | ▽=0  |
|                 | ▽C=0 |

| GENERAL TOLERANCES (UNLESS SPECIFIED) |              |
|---------------------------------------|--------------|
|                                       | mm INCH      |
| 4 PLACES                              | ± --- ± ---  |
| 3 PLACES                              | ± --- ± ---  |
| 2 PLACES                              | ± 0.25 ± --- |
| 1 PLACE                               | ± 0.25 ± --- |
| ANGULAR ± 3 °                         |              |

|                  |            |                      |  |
|------------------|------------|----------------------|--|
| DRAWN BY DATE    |            | TITLE                |  |
| DAVID HU         | 2004/11/05 | USB B TYPE CONNECTOR |  |
| CHECKED BY DATE  |            | KINK TYPE BOARD LOCK |  |
| HARVEY           | 2004/11/05 | (LEAD-FREE)          |  |
| APPROVED BY DATE |            |                      |  |

|                            |              |                        |                        |
|----------------------------|--------------|------------------------|------------------------|
| DIMENSION STYLE<br>MM ONLY | SCALE<br>4:1 | DESIGN UNITS<br>METRIC | THIRD ANGLE PROJECTION |
| MATERIAL NO.               |              | DOCUMENT NO.           | SHEET NO.              |
|                            |              | SD-67068-003           | 1 OF 4                 |

DRAFT WHERE APPLICABLE  
 MUST REMAIN WITHIN DIMENSIONS

SEE NOTES  
 THIS DRAWING CONTAINS INFORMATION THAT IS PROPRIETARY TO MOLEX INCORPORATED AND SHOULD NOT BE USED WITHOUT WRITTEN PERMISSION

9 8 7 6 5 4 3 2 1

10 9 8 7 6 5 4 3 2 1

NOTES :

1. MATERIAL :  
 HOUSING : (a) HIGH TEMP. NYLON, GLASS FIBER FILLED, UL94V-0, COLOR: BLACK,  
 (b) POLYESTER, GLASS FIBER FILLED, UL94V-0, COLOR: WHITE,  
 TERMINAL : PHOSPHOR BRONZE  
 METAL SHELL : COPPER ALLOY

2. PLATING :  
 TERMINAL :  
 CONTACT AREA : (a) GOLD FLASH.  
 (b) GLOD (Au), THICKNESS = 30 MICROINCH MINIMUM.  
 /0.76 MICROMETER MINIMUM.

SOLDER TAIL :  
 PURE TIN(Sn) THICKNESS= 75 MICROINCH MINIMUM .  
 /1.9 MICROMETER MINIMUM.

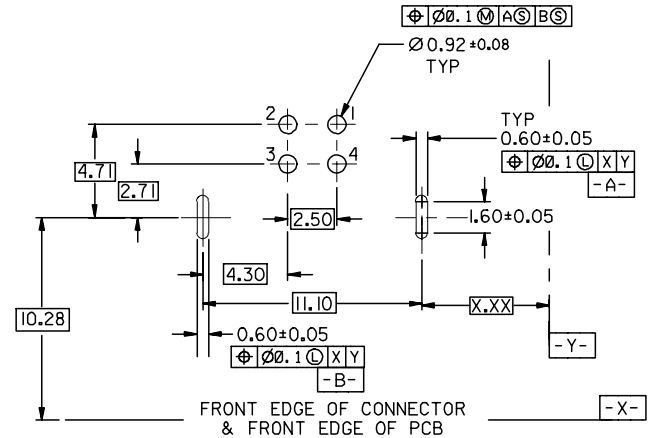
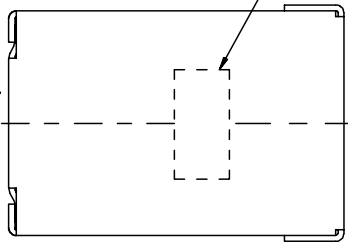
UNDER PLATE : NICKEL (Ni), THICKNESS= 50 MICROINCH MINIMUM.  
 /1.27 MICROMETER MINIMUM.

METAL SHELL :  
 PURE TIN(Sn) THICKNESS= 50 MICROINCH MINIMUM.  
 /1.27 MICROMETER MINIMUM.

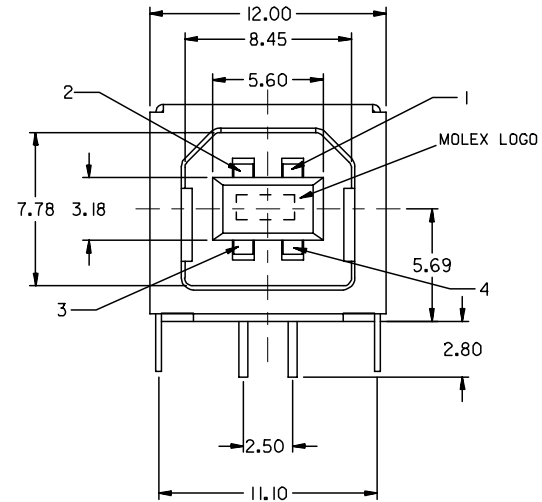
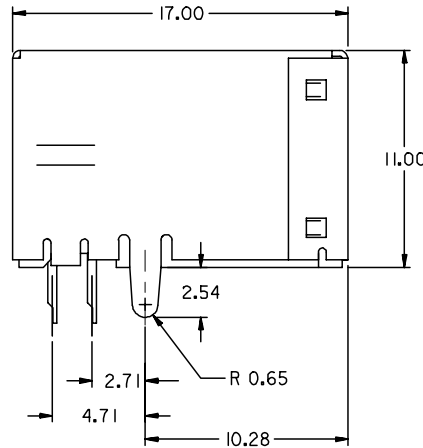
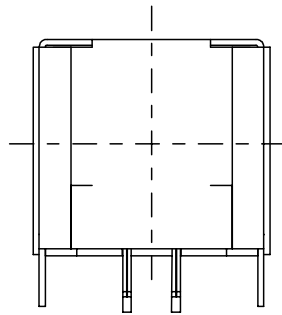
UNDER PLATE : NICKEL (Ni), THICKNESS= 50 MICROINCH MINIMUM.  
 /1.27 MICROMETER MINIMUM.

3 DATUM AND BASIC DIMENSIONS ESTABLISHED BY CUSTOMER  
 RECOMMENDED PCB THICKNESS : 1.60±0.05  
 4 PRODUCT SPECIFICATION : REFER TO PS-67998-0000

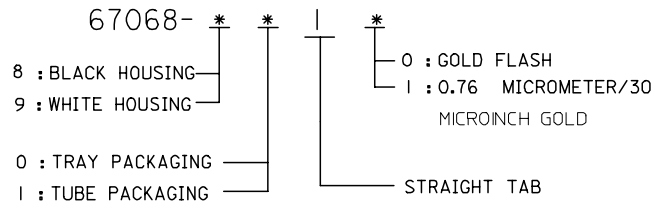
MOLEX ID OF MFG PLANT CODE



RECOMMENDED PCB LAYOUT



PART NUMBER LEGEND:



NEW RELEASE  
 EC NO: SH2005-0142  
 DRWN: DAVID HU 2004/11/5  
 CHKD: HARVEY 2004/11/25  
 APPR: TYAP 2004/11/25

| QUALITY SYMBOLS | DESCRIPTION |
|-----------------|-------------|
|                 | =0          |
|                 | =0          |

| GENERAL TOLERANCES (UNLESS SPECIFIED)                |                         |
|--|-------------------------|
|  | mm INCH                 |
| 4 PLACES   | ± --- ± ---             |
| 3 PLACES   | ± --- ± ---             |
| 2 PLACES   | ± 0.25 ± --- 2004/11/05 |
| 1 PLACE  | ± 0.25 ± ---            |
| ANGULAR ± 3 °  |                         |
| DRAFT WHERE APPLICABLE MUST REMAIN WITHIN DIMENSIONS |                         |

| DIMENSION STYLE MM ONLY |            |
|-------------------------|------------|
| DRAWN BY                | DATE       |
| DAVID HU                | 2004/11/05 |
| CHECKED BY              | DATE       |
|                         | 2004/11/05 |
| APPROVED BY             | DATE       |
|                         |            |
| MATERIAL NO.            |            |
| SEE NOTES               |            |

|  |                     |                        |
|--|---------------------|------------------------|
| SCALE 4:1  | DESIGN UNITS METRIC | THIRD ANGLE PROJECTION |
| TITLE USB B TYPE CONNECTOR WITH STRAIGHT TAB (LEAD-FREE) |                     |                        |
| molex MOLEX INCORPORATED                                 |                     |                        |
| DOCUMENT NO. SD-67068-003                                | SHEET NO. 2         |                        |

9 8 7 6 5 4 3 2 1

8 7 6 5 4 3 2 1

NOTES :  
 1. MATERIAL :  
 HOUSING : (a) HIGH TEMP. NYLON, GLASS FIBER FILLED, UL94V-0, COLOR: BLACK,

TERMINAL : PHOSPHOR BRONZE  
 METAL SHELL : COPPER ALLOY

2. PLATING :  
 TERMINAL :  
 CONTACT AREA : (a) GOLD FLASH.  
 (b) GL0D (Au), THICKNESS = 30 MICROINCH MINIMUM.  
 /0.76 MICROMETER MINIMUM.

SOLDER TAIL :  
 PURE TIN(Sn) THICKNESS= 75 MICROINCH MINIMUM .  
 /1.9 MICROMETER MINIMUM.

UNDER PLATE : NICKEL (Ni), THICKNESS= 50 MICROINCH MINIMUM.  
 /1.27 MICROMETER MINIMUM.

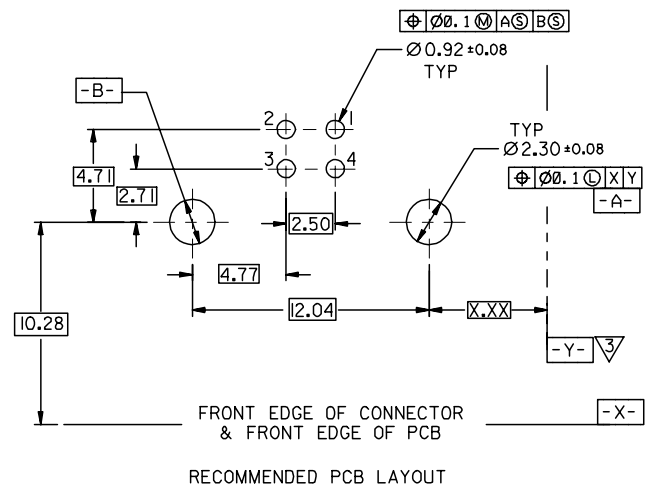
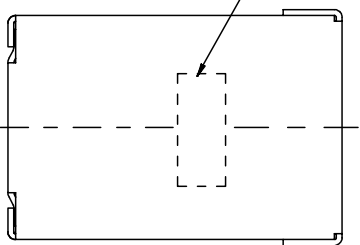
METAL SHELL :  
 PURE TIN(SN), THICKNESS= 50 MICROINCH MINIMUM.  
 /1.27 MICROMETER MINIMUM.

UNDER PLATE : NICKEL (Ni), THICKNESS= 50 MICROINCH MINIMUM.  
 /1.27 MICROMETER MINIMUM.

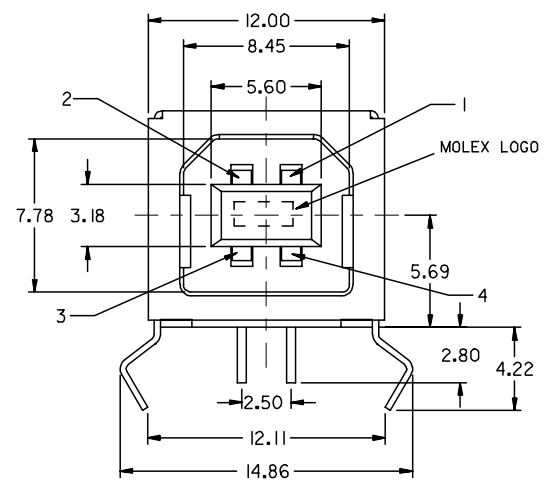
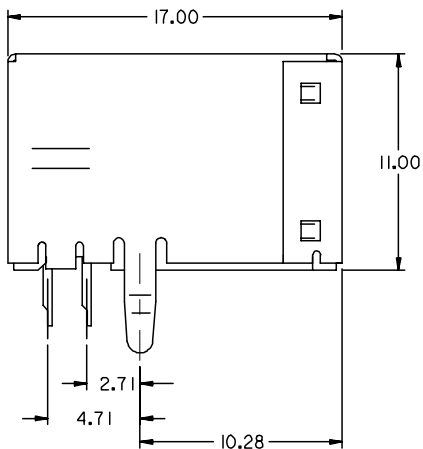
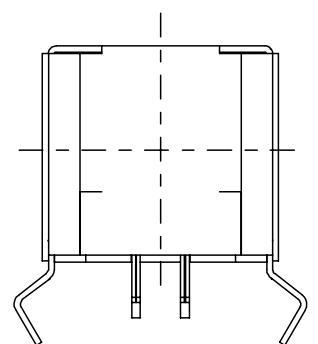
▽ DATUM AND BASIC DIMENSIONS ESTABLISHED BY CUSTOMER  
 RECOMMENDED PCB THICKNESS : 1.60±0.05

4 PRODUCT SPECIFICATION : REFER TO PS-67998-0000

MOLEX ID OF MFG PLANT CODE



FRONT EDGE OF CONNECTOR  
 & FRONT EDGE OF PCB  
 RECOMMENDED PCB LAYOUT



PART NUMBER LEGEND:  
 67068- 7041

ENG. NO.  
 EDP NO.  
 SIMILAR ITEM  
 CAD FILE :  
 DO NOT SCALE DRAWING

F  
 E  
 D  
 C  
 B  
 A

|   |                           |     |          |                         |                                |   |
|---|---------------------------|-----|----------|-------------------------|--------------------------------|---|
|   |                           |     |          | MATERIAL :<br>SEE NOTES |                                | MOLEX<br>TAIWAN LTD.<br>SHEET 3 OF 4                |
|   |                           |     |          | FINISH :<br>SEE NOTES   |                                |   |
|   |                           |     |          | WIRE RANGE :            |                                | GENERAL TOLERANCES<br>ANGLE : ± 3° DIM : ± .25/.010 |
|   |                           |     |          | INS. RANGE :            |                                | ENG. NO.: SD-67068-003                              |
| A   | NEW RELEASE FOR LEAD-FREE |     | DAVID HU | 2004/11/5               |                                | REV A   |
| LTR   | REVISION RECORD           | ECN | DR       | DATE                    | DRAWN BY 2004/11/5<br>DAVID HU | CHK'D BY  |
| REVISE ONLY ON CAD SYSTEM   |                           |     |          |                         | APPR'D BY                      | SCALE 4 : 1   |
| TITLE : HIGH TEMP.USB B TYPE CONNECTOR<br>KINK TYPE BOARD LOCK<br>(LEAD-FREE) |                           |     |          |                         |                                |   |

ENG. NO SDA-67068-\*\*\*\*

EDP NO.

SIMILAR ITEM

CAD FILE : S6706802

DO NOT SCALE DRAWING

NOTES :

1. MATERIAL :

HOUSING : (a) HIGH TEMP. NYLON, GLASS FIBER FILLED, UL94V-0, COLOR: BLACK,

TERMINAL : PHOSPHOR BRONZE  
METAL SHELL : COPPER ALLOY

2. PLATING :

TERMINAL :

CONTACT AREA : (a) GOLD FLASH.  
(b) GL0D (Au), THICKNESS = 30 MICROINCH MINIMUM.  
/0.76 MICROMETER MINIMUM.

SOLDER TAIL :

PURE TIN(Sn) THICKNESS= 75 MICROINCH MINIMUM .  
/1.9 MICROMETER MINIMUM.

UNDER PLATE : NICKEL (Ni), THICKNESS= 50 MICROINCH MINIMUM.

/1.27 MICROMETER MINIMUM.

METAL SHELL :

PURE TIN(Sn) THICKNESS= 50 MICROINCH MINIMUM.  
/1.27 MICROMETER MINIMUM.

UNDER PLATE : NICKEL (Ni), THICKNESS= 50 MICROINCH MINIMUM.

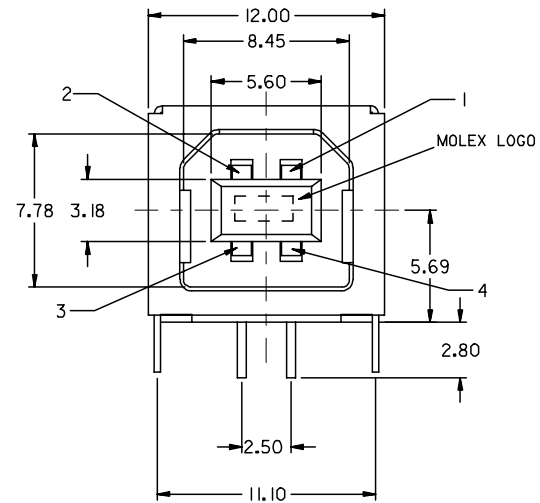
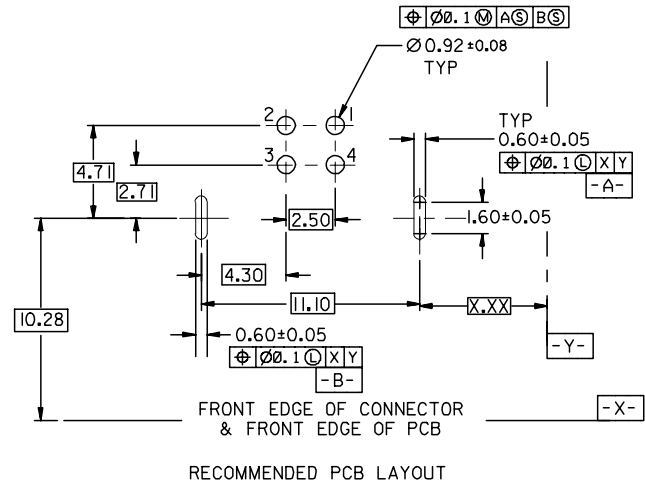
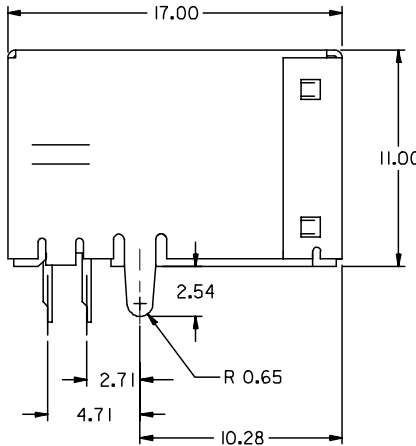
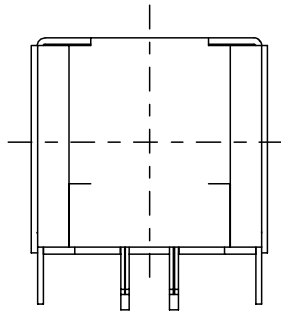
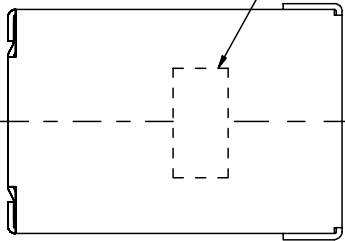
/1.27 MICROMETER MINIMUM.

3 DATUM AND BASIC DIMENSIONS ESTABLISHED BY CUSTOMER

RECOMMENDED PCB THICKNESS : 1.60±0.05


4 PRODUCT SPECIFICATION : REFER TO PS-67998-0000

MOLEX ID OF MFG PLANT CODE



PART NUMBER LEGEND:

67068- 7051

|     |                           |          |           |                                |          |   |
|-----|---------------------------|----------|-----------|--------------------------------|----------|---|
|     |                           |          |           | MATERIAL :<br>SEE NOTES        |          | <br>MOLEX<br>TAIWAN LTD.<br>SHEET 4 OF 4 |
|     |                           |          |           | FINISH :<br>SEE NOTES          |          |   |
|     |                           |          |           | WIRE RANGE :                   |          | GENERAL TOLERANCES<br>ANGLE : ± 3° DIM : ± .25/0.10   |
|     |                           |          |           | INS. RANGE :                   |          | ENG. NO.: SD-67068-003  |
| A   | NEW RELEASE FOR LEAD-FREE | DAVID HU | 2004/11/5 | DRAWN BY 2004/11/5<br>DAVID HU |          | REV<br>A  |
| LTR | REVISION RECORD           | ECN      | DR        | DATE                           | CHK'D BY | TITLE : HIGH TEMP USB B TYPE CONNECTOR<br>WITH STRAIGHT TAB<br>(LEAD-FREE)  |
|     |                           |          |           | APPR'D BY                      |          | SCALE<br>4 : 1  |