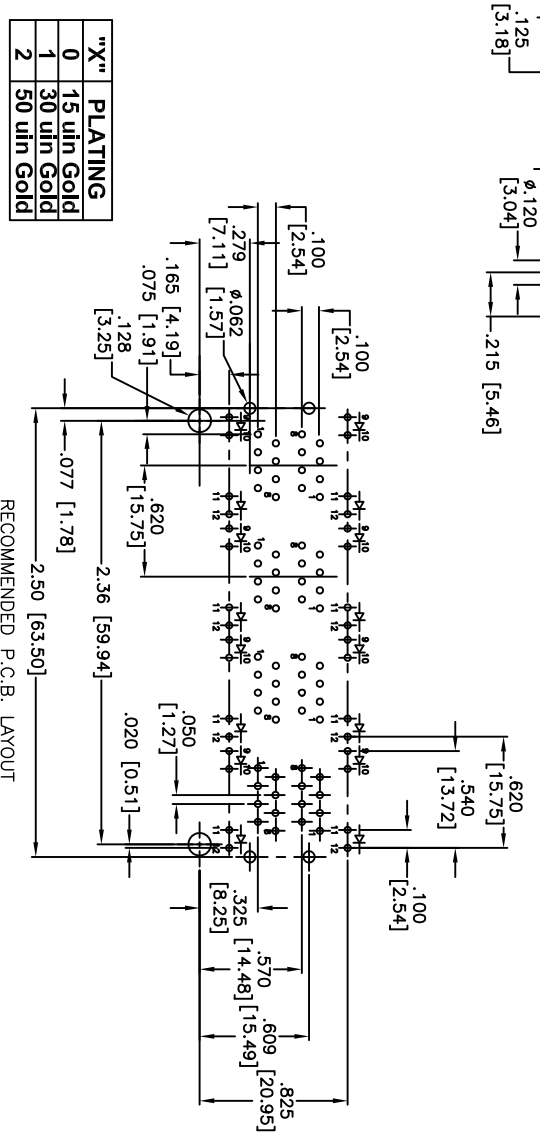
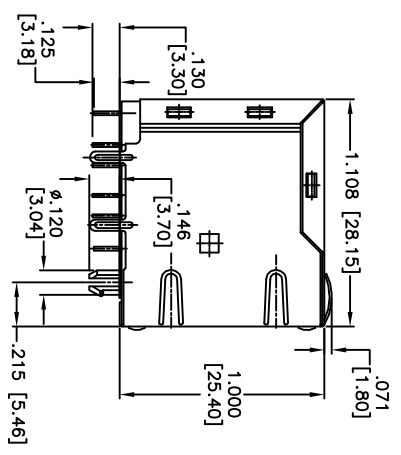
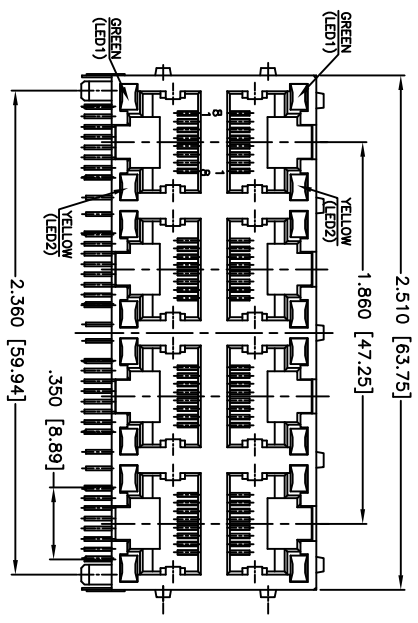


Rev	AWO #	Description	Date	Appr
-		RELEASED	5/23/11	

6 5 4 3 2 1

APPROVED: _____

DATE: _____ TITLE: _____



RECOMMENDED P.C.B. LAYOUT

SPECIFICATIONS:

- Material: Insulator: PBT, rated UL 94V-0
- Insulator color: Black
- Contacts: Phosphor Bronze
- Shield: Brass, Nickel plated
- Plating: X Gold plated over Nickel underplate on contact area, Tin over Copper underplate on solder tails

Electrical:

- Operating voltage: 125VAC
- Current rating: 1.5 Amps max
- Contact resistance: 20 Mohms
- Insulation resistance: 1000 Mohms min @ 500 VDC
- Dielectric withstanding voltage: 1000 VAC for 1 minute
- Temperature Rating: Operating temperature: -40°C to +85°C

- Environmental: Lead free, RoHS Compliant
- Recommended soldering temp: 235°C for 5 seconds

ADAM TECH

909 Rahway Avenue, Union, NJ 07083
 Phone: 908-687-5000 Fax: 908-687-5710

TITLE: MODULAR JACK GANGED, 8 PORT, 8P8C
 LED1 GREEN, LED2 YELLOW

UNLESS OTHERWISE SPECIFIED ALL DIMENSIONS ARE MM [INCHES] TOLERANCES: EXCEPT AS NOTED		INCHES		HOLES	
.X	± .10	ØX	± .10		
.XX	± .020	ØXX	± .015		
.XXX	± .015	ØXXX	± .010		
APPROVALS		DATE		DATE	
DRAWN	DRY	5/23/11			
CHECKED					
APPROVED					
SIZE	PART NO.	TITLE		REV.	
X	MTJG-8-88JX1-FSH-PG-LH	MODULAR JACK GANGED, 8 PORT, 8P8C LED1 GREEN, LED2 YELLOW		-	
REF: S0005C	SCALE: NTS	SHEET 1 OF 1			

6 5 4 3 2 1

