

# NF2000C-SJD Series (RoHS Compliant)

DC 600VDC

High voltage DC power supply



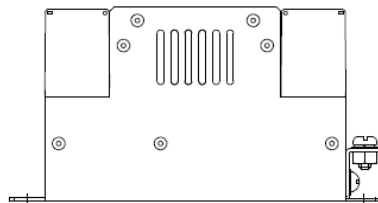
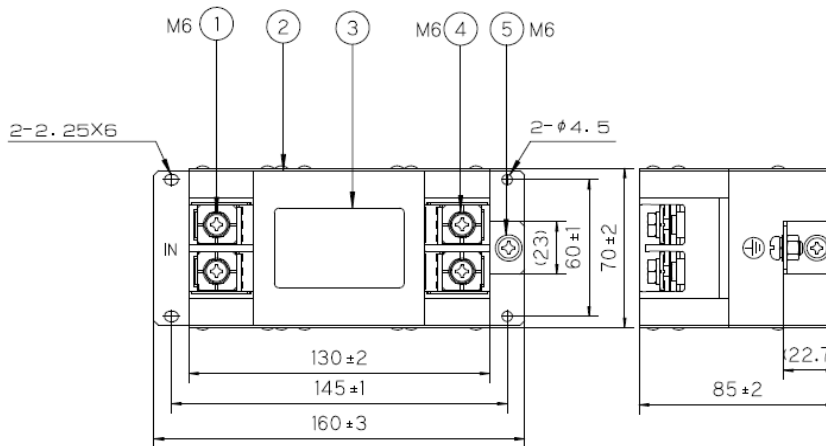
## Applications

EV quick charger, DC Feeding System

## Specifications

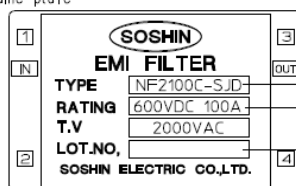
Part No.	Rated Current	Weight	fig1
NF2100C-SJD	100A	1.0kg	
NF2150C-SJD	150A	1.1kg	
Rated Voltage	600VDC max		
Ambient temp.	-20 up to 60 Deg.C		

fig.1 (100, 150A)



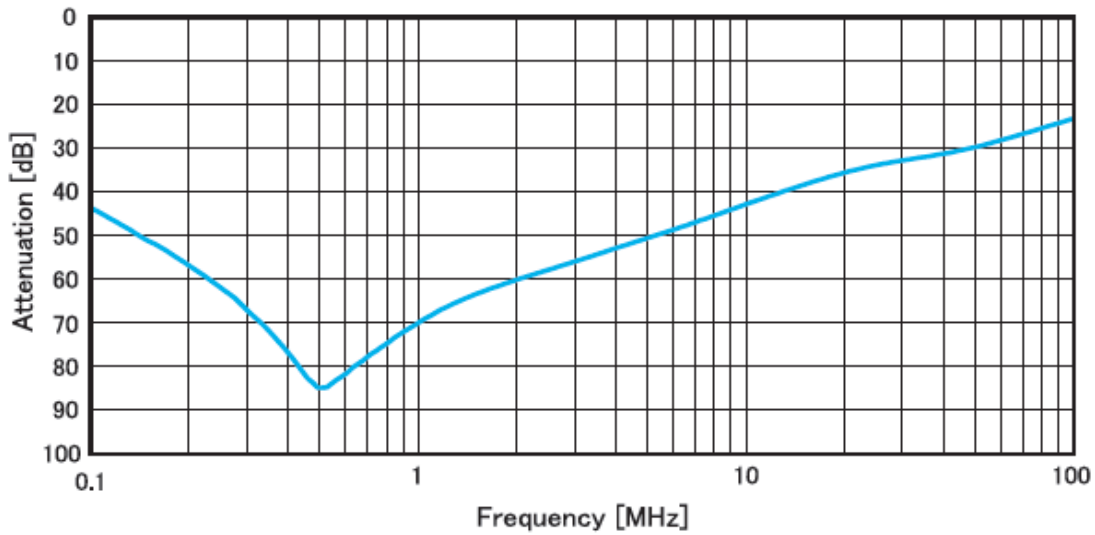
No.	名称 Item
1	入力端子 Input terminal
2	金属ケース Metal case
3	銘板 Label
4	出力端子 Output terminal
5	接地端子 Earth terminal

<< 銘板 >>  
Name plate

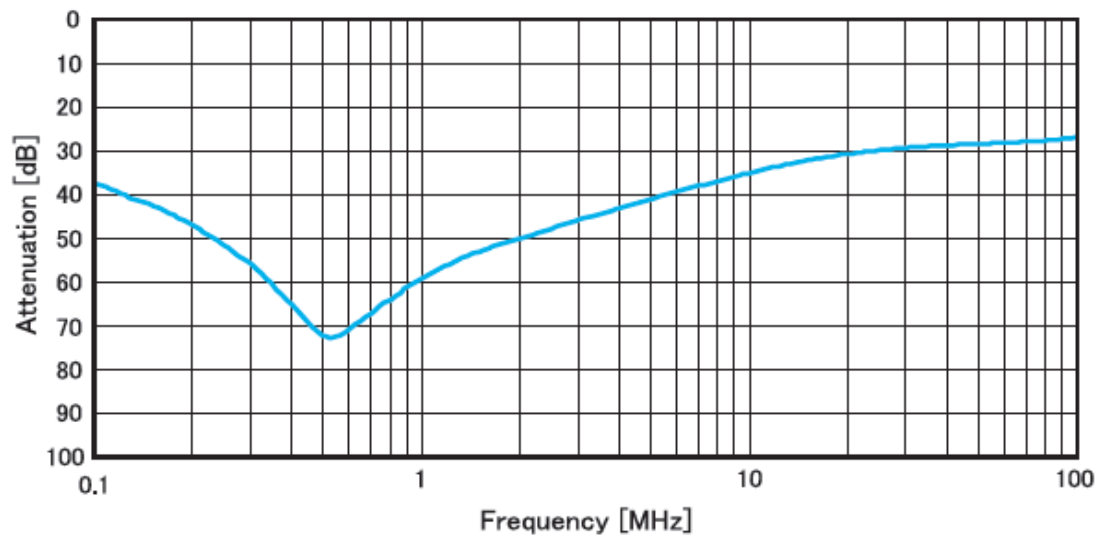


品名  
Model name  
定額電圧・電流  
Rated voltage and  
Rated current  
ロットNO.  
LOT.No.

## Characteristics (Typical) (100A)



## Characteristics (Typical) (150A)



## Circuit Diagram

