

REVISIONS			
REV.	DESCRIPTION	ECN NO.	DATE
01	FIRST RELEASE	N/A	05/17/16

When ordering, please add suffix "T" to the part number for tape & reel packaging (330mm reel).

**PAGE 4 IS FOR INTERNAL ONLY**

PART NUMBER	PART DESCRIPTION
821-C0411F	RoHS compliant per EU Directive 2011/65/EU

TITLE
TRANSFORMER, T1/E1/CEPT/ISDN-PRI, OCTAL, SMD, 40 PIN


**WARNING !**  
 ALL SHEETS OF THIS DOCUMENT ARE CONTROLLED DOCUMENTATION AND ARE NOT TO BE RELEASED OUTSIDE OF E&E OR ITS SUB-CONTRACTORS WITHOUT AUTHORIZATION.

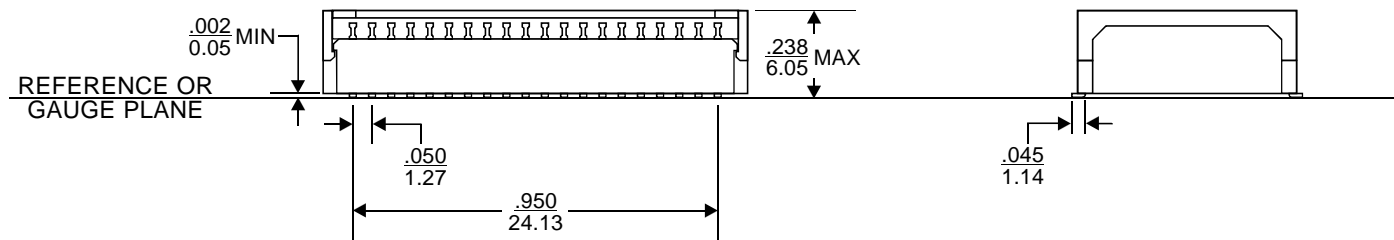
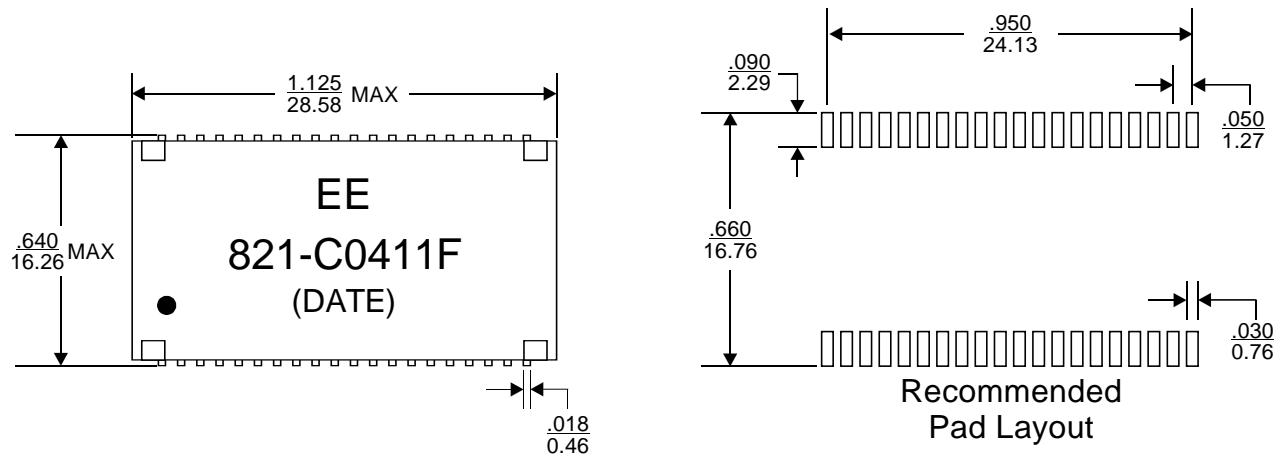
UNLESS OTHERWISE SPECIFIED, DIMENSIONS ARE IN INCH/mm.

TOLERANCE ARE:

INCH	mm	ANGLE
.XXX ± .005	.XX ± .13	X.X ± 0.3
.XX ± .02	.X ± .5	X ± 1

APPROVALS	DATE
DRAWN BY Y.L. YUNG	05/17/16
PROJ. ENG Y.L. YUNG	05/17/16
APPROVED BY D. YUNG	05/17/16
Q.A. D. LUO	05/17/16

 <b>E &amp; E Magnetic Products Ltd.</b>	
DRAWING NO./MODEL	REV
<b>821-C0411F</b>	<b>01</b>
SCALE <b>DO NOT SCALE</b>	PAGE 1 OF 4



1. Dimensions are specified in  $\frac{\text{inches}}{\text{mm}}$  with higher precedence in inches.
2. Unless otherwise specified, all tolerances are  $\pm \frac{.010}{0.25}$ .
3. Coplanarity:  $\frac{.004}{0.10}$  max.
4. "(DATE)" includes at least the manufacturing date code (in YYWW format).

## MECHANICAL OUTLINE



E & E Magnetic Products Ltd.

DRAWING NO./MODEL

821-C0411F

REV

01

SCALE

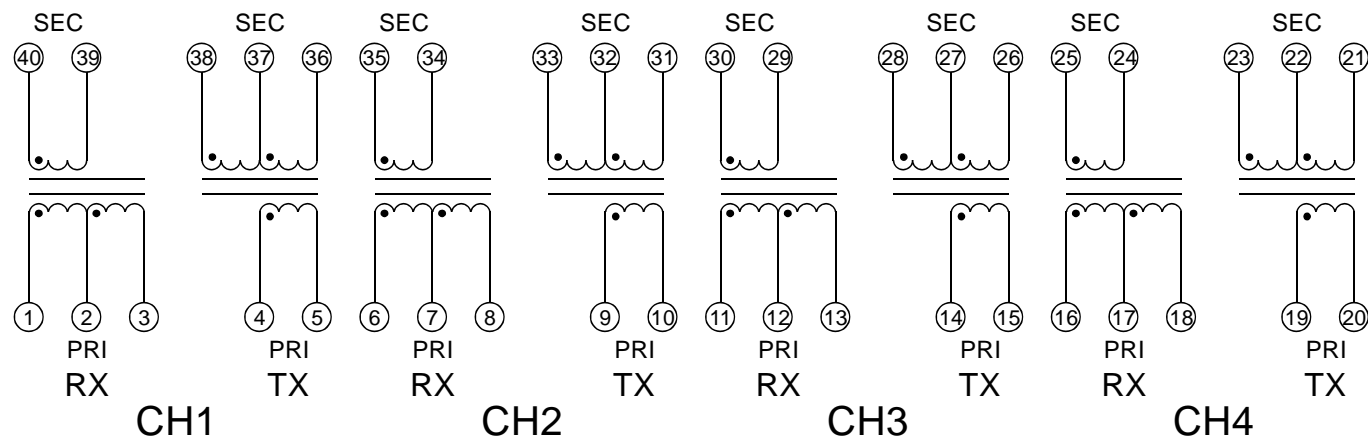
DO NOT SCALE

PAGE

2

OF

4



## SCHEMATIC

### ELECTRICAL SPECIFICATION @25°C:

PARAMETERS	UNIT	Tx-Side	Rx-Side
Turns Ratio(Pri):(Sec)	-	1:2CT ± 2%	1CT:2 ± 2%
Polarity(Pri):(Sec)	-	Per Schematic	Per Schematic
OCL(Pri) @10kHz, 0.1Vrms	mH	1.2 Min	
Leakage Inductance(Pri), short Sec @100kHz, 1.0Vrms	uH	0.6 Max	
Cww @100kHz, 1.0Vrms	pF	35 Max	
DCR(Pri)	Ω	0.7 Max	0.7 Max
DCR(Sec)	Ω	1.4 Max	1.4 Max
Isolation/HIPOT(Pri):(Sec)	Vrms	1500 Min	1500 Min
Crosstalk @100kHz-5MHz	dB	50 Min	

5. Operating temperature: 0°C to +70°C.



**E & E Magnetic Products Ltd.**

DRAWING NO./MODEL

**821-C0411F**

REV

**01**

SCALE

**DO NOT SCALE**

PAGE

**3**

OF

**4**