

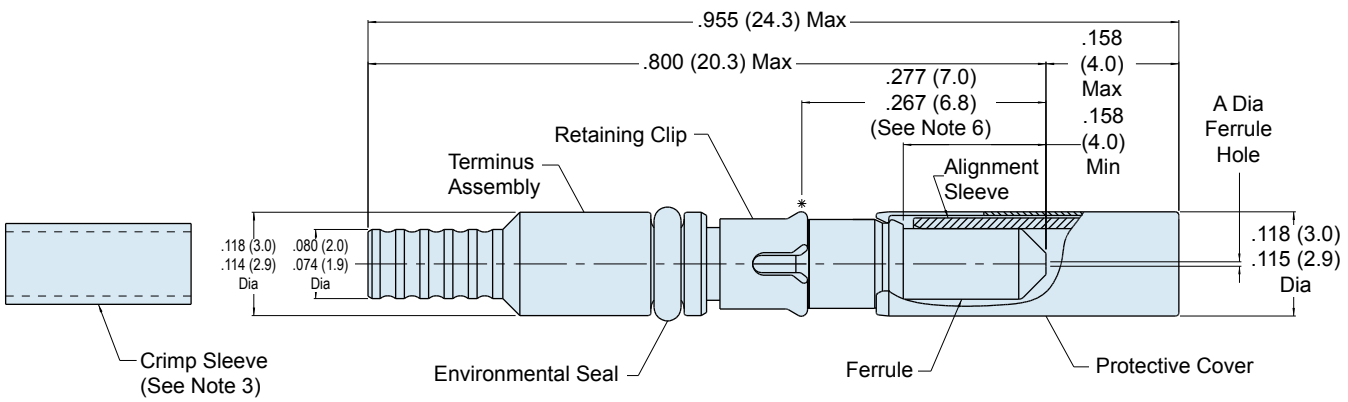


**181-040**  
**M29504/15 Style Front Release Socket Terminus**  
**Size 16**

**181-040-1260 C N**

Product Series ————  
Basic Number ————  
Dash Number (Table I) ————

N = Alignment Sleeve Assembly Not required  
(Omit to receive Alignment Sleeve)  
Crimp Sleeve Designator  
Omit if None (See Table II)



**TABLE I: DASH NUMBER**

Assembly Dash Number	A Dia (Microns)
1250	126.0 125.0
1255	126.5 125.5
1260	127.0 126.0
1270	128.0 127.0
1420	143.0 142.0

Consult Factory for Additional Sizes

**TABLE II: CRIMP SLEEVE DESIGNATOR**

Designator	Cable Diameter	Part Number
C	2.0-2.4 mm (MIL-Spec)	265-008

**TABLE III: TERMINUS ACCESSORIES**

Part Number	Accessory
265-010	Alignment Sleeve Assembly
182-012	Crimp Tool
182-013	Insertion Tool, Straight
182-014	Insertion Tool, 90°
182-015	Removal Tool
182-016	Alignment Sleeve Assembly Insertion/Removal Tool
182-017	Hand Polishing Tool

**APPLICATION NOTES**

- |   |   |
|---|---|
| <ol style="list-style-type: none"> <li>1. Assembly packaged in plastic bag and tag identified with manufacturer's name and part number</li> <li>2. Material/ Finish:<br/>Alignment Sleeve, Ferrule: Zirconia Ceramic/ N.A.<br/>Protective cover: Spring Alloy / Nickel<br/>Terminus Assembly: Stainless Steel / Passivate<br/>Retaining Clip: Spring Alloy / N.A.<br/>Seal: Fluorosilicone</li> </ol> | <ol style="list-style-type: none"> <li>3. Crimp Sleeve: Brass Alloy / Nickel</li> <li>4. Alignment Sleeve Assembly and Crimp Sleeve may be ordered separately (Tables II and III)</li> <li>5. Metric dimensions (mm) are in parentheses.</li> <li>6. Dummy Terminus: Part Number 181-051</li> <li>7. Dimension to be measured when installed into insert equivalent fixture per MIL-PRF-29504/15</li> </ol> |
|---|---|