

# General Description

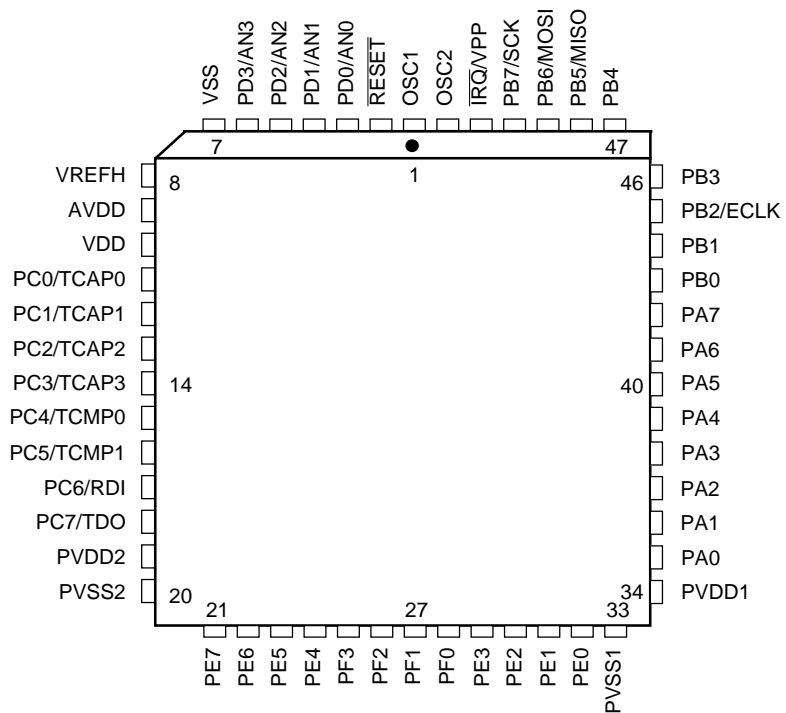
## 1.4 Mask Options

There are three mask options:

- COP watchdog timer (enable/disable)
- Low voltage reset (LVR) (enable/disable)
- Ports E/F in WAIT mode (enable/disable)

## 1.5 Pin Assignments

Figure 1-2 shows the PLCC pin assignments.



**Figure 1-2. MC68HC(7)05H12 Pin Assignments (52-pin PLCC package)**