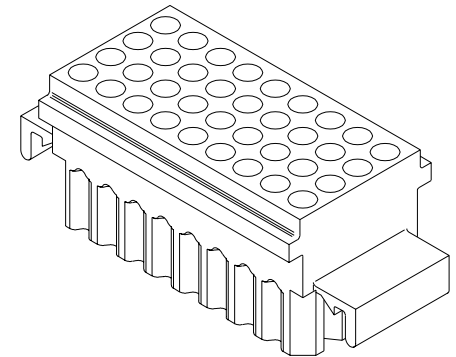
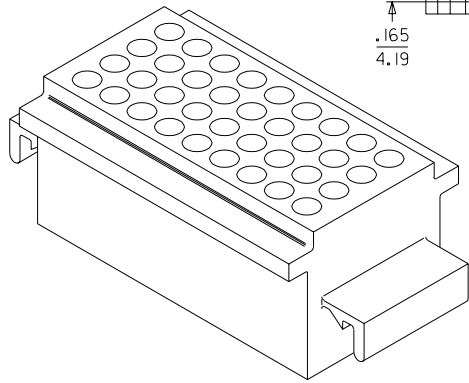
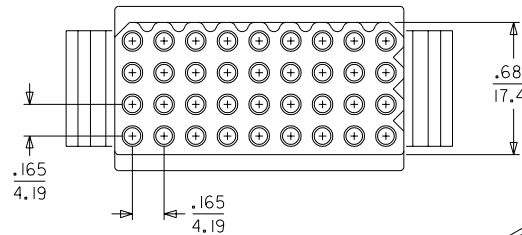
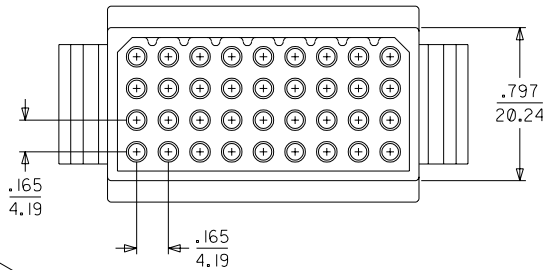
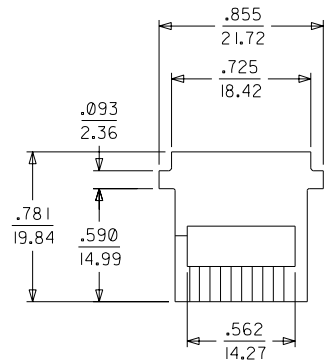
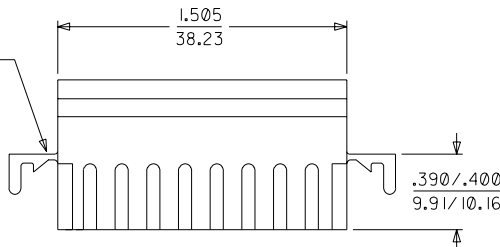


MOUNTING EARS OPTIONAL
SEE SHEET 2 FOR DETAIL.



PLUG

RECEPTACLE

CORRECT LEGENDS ADD DATE/DRAWING NO. EC NO: LCP2004-0895 DRWN: ELHAG 11/10/03 CHK: ELHAG 11/10/03 APPR: FSMITH 11/11/03	QUALITY SYMBOLS MAJOR $\blacktriangledown = 0$ CRITICAL $\nabla = 0$	GENERAL TOLERANCES: (UNLESS SPECIFIED)		SCALE 2 : 1	DESIGN UNITS <input type="checkbox"/> mm <input checked="" type="checkbox"/> INCH	DIMENSIONS: <input type="checkbox"/> mm <input checked="" type="checkbox"/> INCH <input type="checkbox"/> mm ONLY THIRD ANGLE PROJECTION	TITLE: .062/(1.57) HOUSING, PLUG AND RECEPTACLE, 36 - CIRCUIT		SHEET NO. 1 of 2
		4 PLACES $\pm 0.---$ $\pm .005$	DRAWN BY & DATE JBS 06/10/03	MOLEX INCORPORATED			REVISE ON CAD ONLY		
		3 PLACES ± 0.13 $\pm .01$	CHECKED BY & DATE BW 06/13/03	MATERIAL NO. SEE CHART			DRAWING NO. SD-1772-36*-*-*		
		2 PLACES ± 0.25 $\pm .---$	APPROVED BY & DATE BW 06/16/03	CAD FILENAME SD1772-36*.DGN			THIS DRAWING CONTAINS INFORMATION THAT IS PROPRIETARY TO MOLEX INCORPORATED AND SHOULD NOT BE USED WITHOUT WRITTEN PERMISSION.		
1 PLACE $\pm 0.$ $\pm .$	ANGLAR: $\pm .5^\circ$	DRAFT WHERE APPLICABLE MUST REMAIN WITHIN DIMENSIONS		SIZE C					

PLUG	
PART NO.	ENG. NO.
03-06-2361	1772-36P
03-06-2362	1772-36P-I
03-06-7361	1772-36P-D
03-06-7362	1772-36P-I-D

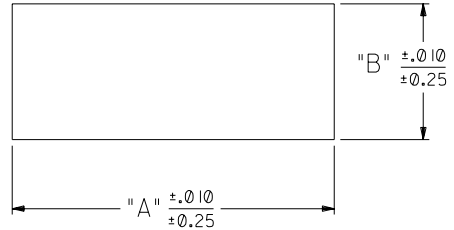
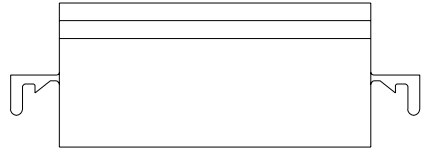
RECEPTACLE	
PART NO.	ENG. NO.
03-06-1361	1772-36R
03-06-1362	1772-36R-I
03-06-6361	1772-36R-D
03-06-6362	1772-36R-I-D

PLUG LEGEND:

1772-36P-***
 ↑ ↑ ↑ ↑
 CIRCUIT SIZE
 P = PLUG
 BLANK = W/ EARS
 I= W/O EARS
 BLANK = NATURAL
 D=DYED

RECEPTACLE LEGEND:

1772-36R-***
 ↑ ↑ ↑ ↑
 CIRCUIT SIZE
 R = RECEPTACLE
 BLANK = W/ EARS
 I= W/O EARS
 BLANK = NATURAL
 D=DYED



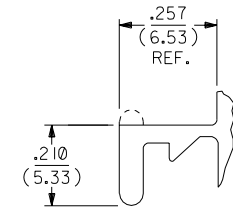
HOUSING	DIM. "A"	DIM. "B"
PLUG	1.795/(45.59)	.825/(20.96)
RECEPTACLE	1.677/(42.60)	.707/(17.96)

RECOMMENDED PANEL OPENING

* MAX. PANEL THICKNESS IS .060.

NOTES:

1. MATERIAL: PA 66, UL 94V-2; COLOR: NATURAL.
2. FINISH: NONE.
3. PRODUCT SPECIFICATION: NONE.
4. PACKAGING SPECIFICATION: NONE.
5. FOR USE WITH .062 SERIES TERMINALS.



MOUNTING EAR DETAIL

(SCALE 4:1)

DIMENSIONS SHOWN (METRIC) INCH UNLESS OTHERWISE SPECIFIED TOLERANCES: ANGULAR $\pm .5^\circ$		▽=0 ▼=2		REVISE ONLY ON CAD SYSTEM	
3 PLACE $\pm .005$ ---		INCH METRIC		TITLE .062/(1.57) HOUSING, PLUG AND RECEPTACLE, 36 CIRCUIT	
2 PLACE $\pm .01$ ± 0.13		1 PLACE --- ± 0.25		MOLEX INCORPORATED SHEET NO. DATE LITSE,ILL. 60532 U.S.A. 2 06/10/03	
DRAWING WHERE APPLICABLE MUST REMAIN WITHIN DIMENSIONS		PART NO. DRWG. NO. SEE CHART SD-1772-36***		THIS DRAWING CONTAINS INFORMATION THAT IS PROPRIETARY TO MOLEX INC. AND SHOULD NOT BE USED WITHOUT WRITTEN PERMISSION	
DRWG. BY: JBS	CHK'D. BY: BW	FILE NAME: SD 1772-36	SCALE: 2 : 1	DIV.:	SIZE: CP C
APP'D. BY: BW	SCALE: 2 : 1	LTR. REVISIONS			