

Common Mode Inductor

High Isolation

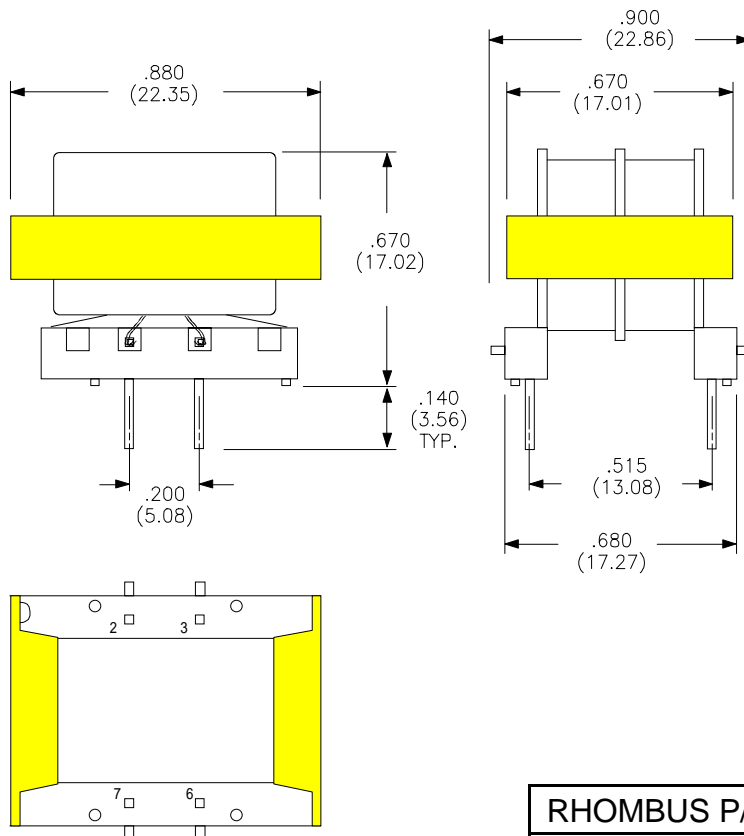
Parameter	Min.	Max.	Units
Inductance *	1.2		mH
DCR		219	mΩ
Leakage Inductance		47	μH
Interwinding Capacitance		11.5	pF

Windings Balanced to within 1%
 Rated Current 0.88 A
 Hipot (Isolation) 3000 VAC
 Insulation Resistance 100MΩ
 Temperature Rise 60°C Max
 SRF > than 900 kHz Typical.

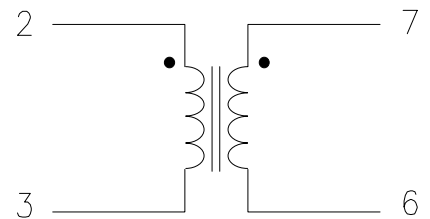
* Inductance tested at 100mV_{RMS} and 10 kHz

Physical Dimensions

inches (mm)



Schematic Diagram



RHOMBUS P/N: L-16016H	
CUST P/N:	NAME:
DATE: 3/7/97	SHEET: 1 OF 1