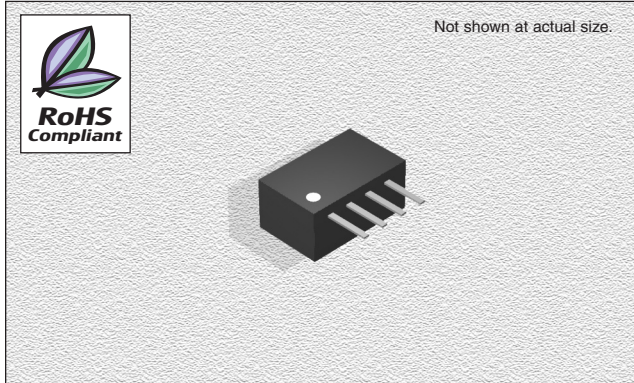


# CTDD1106SF-S1K Series

Fixed Input Isolated & Unregulated  
1W Output, Single Output



## FEATURES

- Efficiency:** To 80%
- Temperature Range:** -40°C to 85°C
- Isolation:** 1KVDC
- Package:** UL94-V0
- Miscellaneous:** Single Output Voltage. No heatsink required. No external components required. Industry standard pinout. Fixed input voltage.
- Samples available.**

## CHARACTERISTICS

- Short Circuit Protection:** 1 second
- Temperature Rise at Full Load:** 25°C Max. 15°C Typ.
- Cooling:** Free air convection
- No Load Power consumption:** 10% nominal power (typical)
- Operating Temperature Range:** -40°C to +85°C
- Storage Temperature Range:** -55°C to +125°C
- Lead Temperature:** 300°C (1.5mm from case for 10 seconds)
- Storage Humidity Range:** ≤ 95%
- Case Material:** Plastic (UL94-V0)
- MTBF:** >3,500,000 hours

## SPECIFICATIONS

Part Number	Vin Nom. (VDC)	Input Range (VDC)	Vout (VDC)	Iout Max. (mA)	Iout Min. (mA)	Effi. Typ. (%)
CTDD1106SF-2405-S1K	24	21.6-26.4	5	200	20	72
CTDD1106SF-2409-S1K	24	21.6-26.4	9	111	12	76
CTDD1106SF-2412-S1K	24	21.6-26.4	12	83	9	78
CTDD1106SF-2415-S1K	24	21.6-26.4	15	67	7	80
CTDD1106SF-2424-S1K	24	21.6-26.4	24	42	3	78

## ISOLATION SPECIFICATIONS

Item	Test Condition	MIN	TYP	MAX	Units
Isolation Voltage	Tested for 1 minute and 1mA Max.	1000			VDC
Isolation Resistance	Test at 500VDC	1000			MΩ

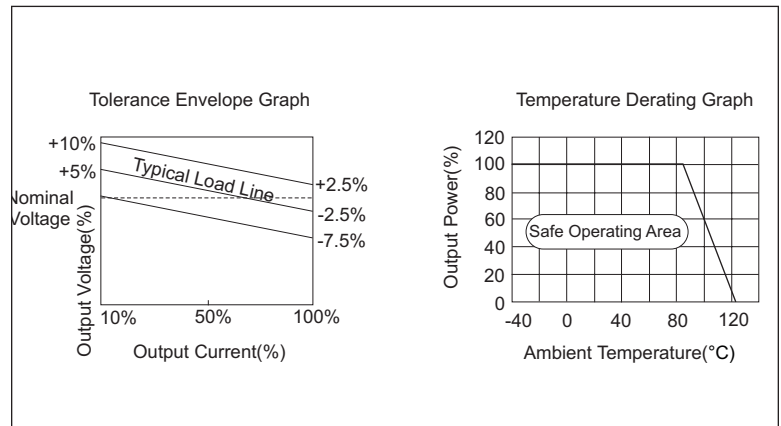
## OUTPUT SPECIFICATIONS

Item	Test Condition	MIN	TYP	MAX	Units
Output Power		0.1		1	W
Line regulation	For Vin change of 1%			1.2	%
Load regulation	10% to 100% full load		10	15	%
Output voltage accuracy	See tolerance envelope graph				
Temperature drift	100% full load			0.03	%/°C
Output ripple	20MHz Bandwidth		50	75	mVp-p
Noise	20MHz Bandwidth		75	150	mVp-p
Switching frequency	Full load, nominal input		100		KHz

Note:

1. All specifications measured at TA=25°C, humidity<75%, nominal input voltage and rated output unless otherwise specified.

## TYPICAL CHARACTERISTICS

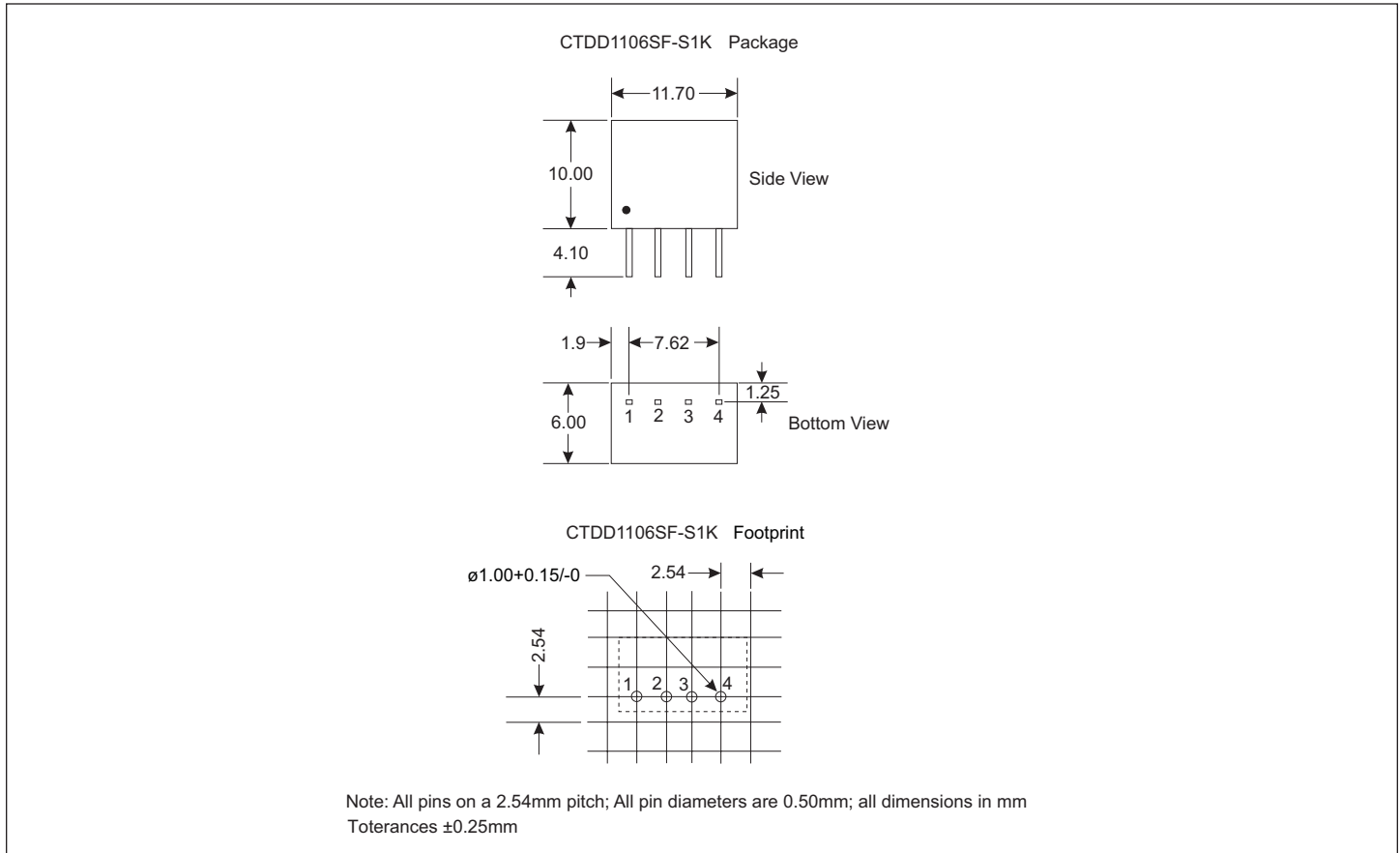


05.14.07

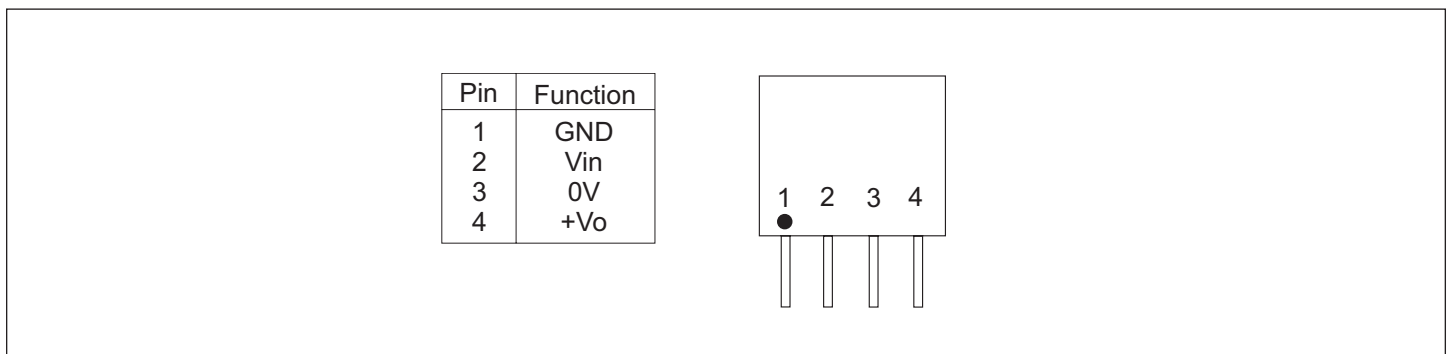
## CTDD1106SF-S1K Series

Fixed Input Isolated & Unregulated  
1W Output, Single Output

### OUTLINE DIMENSIONS & RECOMMENDED FOOTPRINT DETAILS



### PIN CONNECTIONS



05.14.07