



## BNC Female to BNC Female Adapter

### TECHNICAL DATA SHEET

PE9084

#### BNC Female to BNC Female Adapter

##### Configuration

|                |            |
|----------------|------------|
| Connector 1    | BNC Female |
| Connector 2    | BNC Female |
| Adapter Design | Standard   |
| Body Style     | Straight   |

##### Electrical Specifications

|                                       |         |
|---------------------------------------|---------|
| Frequency Range, GHz                  | DC to 4 |
| Impedance, Ohms                       | 50      |
| Maximum Operating Voltage, Volts      | 500     |
| Dielectric Withstanding Voltage, Vrms | 1,500   |

##### Mechanical Specifications

###### Temperature

|                        |             |
|------------------------|-------------|
| Operating Range, deg C | -65 to +165 |
|------------------------|-------------|

###### Size

|                     |               |
|---------------------|---------------|
| Length, in [mm]     | 1.28 [32.51]  |
| Width/Dia., in [mm] | 0.472 [11.99] |
| Dielectric Type     | Teflon        |

###### Connector 1

|                                       |                  |
|---------------------------------------|------------------|
| Type                                  | BNC Female       |
| Inner Conductor Material and Plating  | Brass, Gold      |
| Inner Conductor Plating Specification | 30μ in. minimum  |
| Body Material and Plating             | Brass, Nickel    |
| Body Plating Specification            | 100μ in. minimum |

###### Connector 2

|                                       |                  |
|---------------------------------------|------------------|
| Type                                  | BNC Female       |
| Inner Conductor Material and Plating  | Brass, Gold      |
| Inner Conductor Plating Specification | 30μ in. minimum  |
| Body Material and Plating             | Brass, Nickel    |
| Body Plating Specification            | 100μ in. minimum |

##### Compliance Certifications (visit [www.Pasternack.com](http://www.Pasternack.com) for current document)

|                |     |
|----------------|-----|
| RoHS Compliant | Yes |
|----------------|-----|

Click the following link (or enter part number in "SEARCH" on website) to obtain additional part information including price, inventory and certifications: [BNC Female to BNC Female Adapter PE9084](#)

The information contained in this document is accurate to the best of our knowledge and representative of the part described herein. It may be necessary to make modifications to the part and/or the documentation of the part, in order to implement improvements. Pasternack reserves the right to make such changes as required. Unless otherwise stated, all specifications are nominal.



TECHNICAL DATA SHEET

PE9084

**Plotted and Other Data**

Notes:

Values at 25 °C, sea level

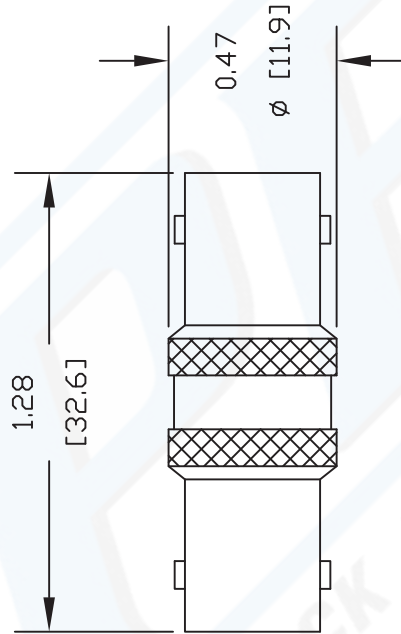
URL: <http://www.pasternack.com/bnc-female-bnc-female-straight-adapter-pe9084-p.aspx>

BNC Female to BNC Female Adapter from Pasternack Enterprises has same day shipment for domestic and International orders. Our RF, microwave and fiber optic products maintain a 99% availability and are part of the broadest selection in the industry.

The information contained in this document is accurate to the best of our knowledge and representative of the part described herein. It may be necessary to make modifications to the part and/or the documentation of the part, in order to implement improvements. Pasternack reserves the right to make such changes as required. Unless otherwise stated, all specifications are nominal.



**PE9084 CAD Drawing**  
BNC Female to BNC Female Adapter



DWG TITLE

**PE9084**

NOTES:  
1. UNLESS OTHERWISE SPECIFIED ALL DIMENSIONS ARE NOMINAL.  
2. ALL SPECIFICATIONS ARE SUBJECT TO CHANGE WITHOUT NOTICE AT ANY TIME.  
3. DIMENSIONS ARE IN INCHES [mm].

REV. -

FSCM NO. 53919

CAD FILE 082602

SCALE N/A

SIZE A

127



**PASTERNAK®**  
Pasternack Enterprises, Inc.  
P.O. Box 16759 | Irvine | CA | 92623

Phone: (949) 261-1920 | Fax: (949) 261-7451

Website: [www.pasternack.com](http://www.pasternack.com) | E-Mail: [sales@pasternack.com](mailto:sales@pasternack.com)