

PLEASE CHECK WWW.MOLEX.COM FOR LATEST PART INFORMATION

Part Number: [0359650220](#)
Status: **Active**
Description: 1.78mm (.070") Tab Multiple Wire-to-Wire Female Housing, 2 Circuits, Vertical, C-Type

Documents:

[Drawing \(PDF\)](#) [RoHS Certificate of Compliance \(PDF\)](#)
[Product Specification PS-35180-002 \(PDF\)](#)

Agency Certification

UL E29179

General

Product Family Crimp Housings
 Series [35965](#)
 Product Name N/A

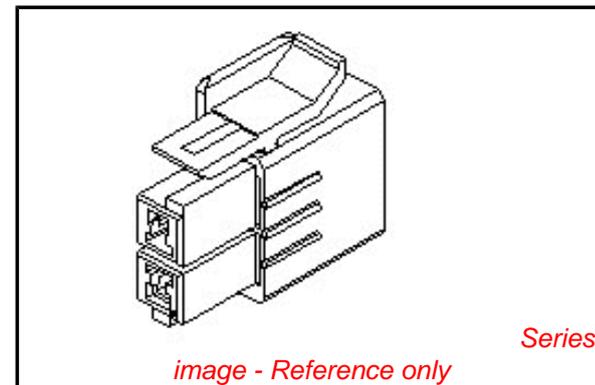
Physical

Circuits (maximum) 2
 Gender Female
 Glow-Wire Compliant No
 Number of Rows 2
 Packaging Type Bag
 Panel Mount No
 Pitch - Mating Interface (in) 0.315 In
 Pitch - Mating Interface (mm) 8.00 mm
 Stackable No
 Temperature Range - Operating -40°C to +120°C

Material Info

Reference - Drawing Numbers

Product Specification PS-35180-002
 Sales Drawing SD-35965-001



EU RoHS

ELV and RoHS Compliant
REACH SVHC
 Not Reviewed
Halogen-Free Status
Not Reviewed

China RoHS



Need more information on product environmental compliance?

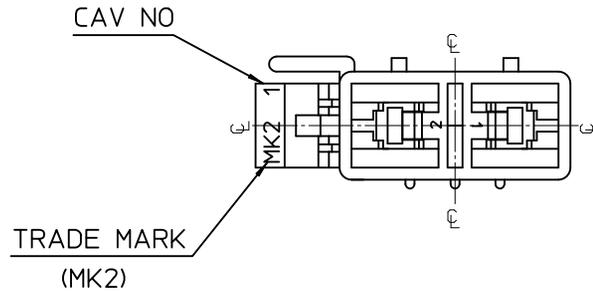
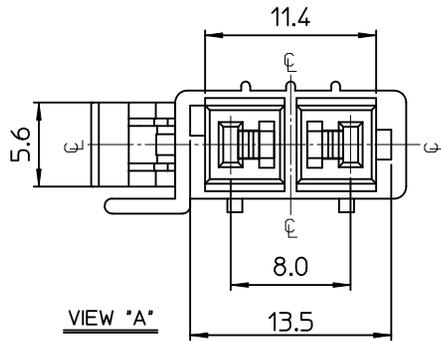
Email productcompliance@molex.com
 For a multiple part number RoHS Certificate of Compliance, [click here](#)

Please visit the [Contact Us](#) section for any non-product compliance questions.

Search Parts in this Series
[35965Series](#)

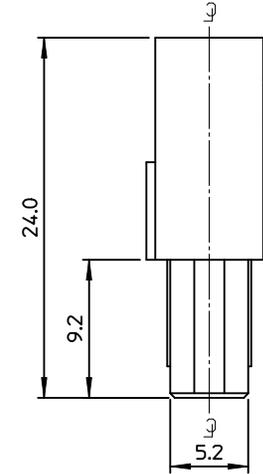
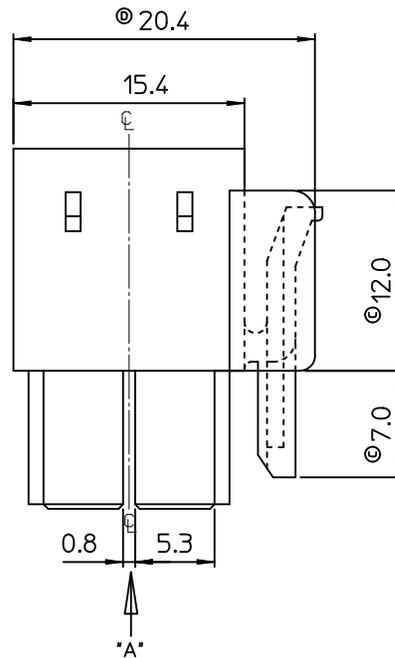
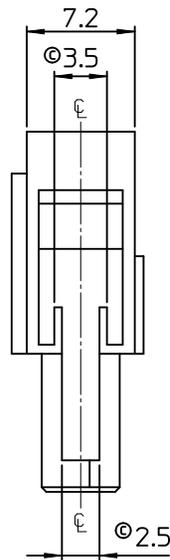
Mates With
[35180](#)

Use With
[35746](#)



NOTES.

1. MATERIAL & COLOR : SEE TABLE
2. MATED HOUSING : 35180-060*
3. APPLICABLE TERMINAL : 35748-0*10
4. APPLICABLE TPA : 35965-029*
5. PRODUCT SPECIFICATION : PS-35180-002



NO.	POLYESTER(PBT)		PC/PET(UL94V-0)	
	MATERIAL	COLOR	MATERIAL	COLOR
1	35965-0220	NATURAL	35965-9220	NATURAL
2	35965-0222	RED	35965-9222	RED
3	35965-0224	BLUE	35965-9223	YELLOW
4			35965-9224	BLUE

REVISED
 EC NO: KOR2010-0186
 DRWN: JHPARK01 2010/05/17
 CHKD: SHCHU 2010/05/17
 APPR: YUNS IKKIM 2010/05/18

QUALITY SYMBOLS
 ▽=0
 ▽=0

GENERAL TOLERANCES (UNLESS SPECIFIED)

	mm	INCH
4 PLACES	± ---	± ---
3 PLACES	± ---	± ---
2 PLACES	± ---	± ---
1 PLACE	± 0.3	± ---

ANGULAR ± 1°

DRAFT WHERE APPLICABLE MUST REMAIN WITHIN DIMENSIONS

DIMENSION STYLE
 MM ONLY

DRAWN BY JS.KANG DATE 1995/09/28
 CHECKED BY BK.CHOI DATE 1995/09/28
 APPROVED BY CW.LEE DATE 1995/09/28

MATERIAL NO. SEE TABLE

SIZE A3

SCALE 3:1
 DESIGN UNITS METRIC
 THIRD ANGLE PROJECTION

TITLE
 .070 MULTI FEMALE HSG 2P(C)

MOLEX INCORPORATED
 DOCUMENT NO. SD-35965-001
 SHEET NO. 1 OF 01

THIS DRAWING CONTAINS INFORMATION THAT IS PROPRIETARY TO MOLEX INCORPORATED AND SHOULD NOT BE USED WITHOUT WRITTEN PERMISSION