

PLEASE CHECK WWW.MOLEX.COM FOR LATEST PART INFORMATION

Part Number: [0351290500](#)
Status: **Active**
Description: 1.85mm (.070") Tab, 6.00mm (.231") Pitch Wire-to-Wire TPA™ Retainer, 5 Circuits

Documents:

[Drawing \(PDF\)](#) [RoHS Certificate of Compliance \(PDF\)](#)
[Product Specification PS-35127-001 \(PDF\)](#)

Agency Certification

CSA LR19980
TUV R72081037

General

Product Family Accessories
Series [35129](#)
Component Type Retainer
Product Name N/A

Physical

Circuits (Loaded) 5
Color - Resin Natural
Flammability 94V-0
Gender Male
Lock to Mating Part Yes
Material - Resin Polyester
Number of Rows 1
Packaging Type Bag
Temperature Range - Operating -40°C to +120°C

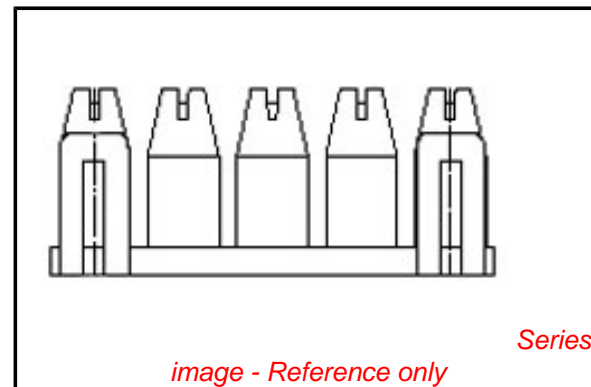
Electrical

Current - Maximum per Contact 15A

Material Info

Reference - Drawing Numbers

Product Specification PS-35127-001
Sales Drawing SD-35129-001



EU RoHS

**ELV and RoHS
Compliant**
REACH SVHC
Not Reviewed
**Halogen-Free
Status**

China RoHS



**Need more information on product
environmental compliance?**

Email productcompliance@molex.com
For a multiple part number RoHS Certificate of
Compliance, [click here](#)

Please visit the [Contact Us](#) section for any
non-product compliance questions.

Search Parts in this Series

[35129Series](#)

Use With

35127 Pitch Wire-to-Wire Male Housing.
35128 Wire-to-Wire Female Housing

DO NOT SCALE DRAWING DIMENSION IN METRIC

DWG. NO. SD-35129-001

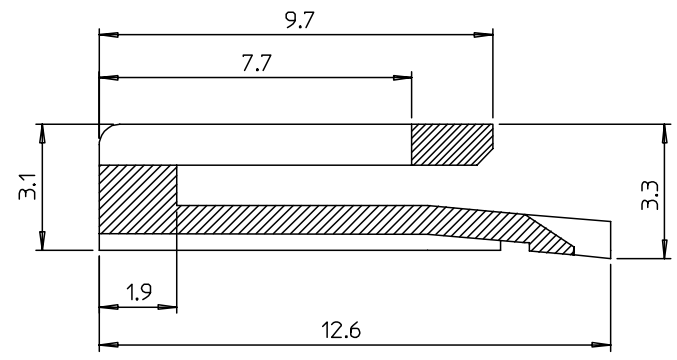
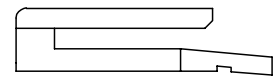
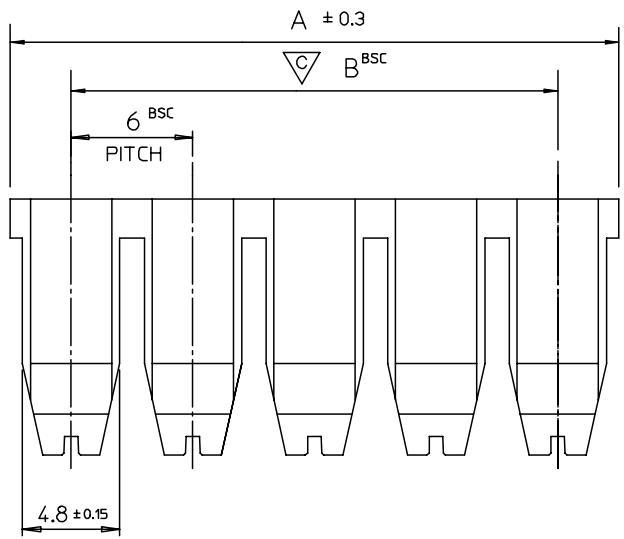
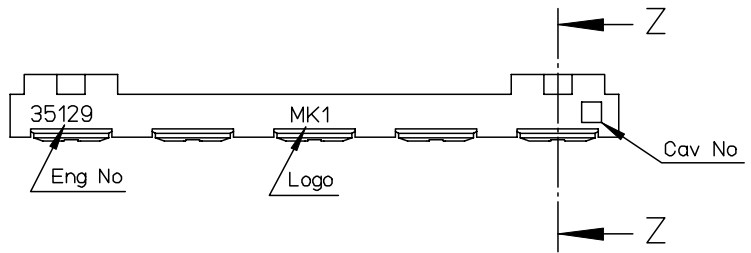
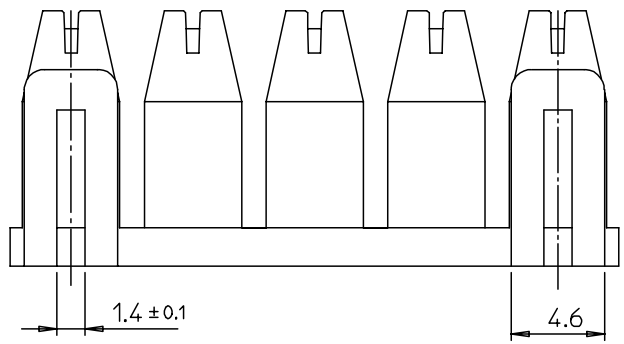
SIMILAR ITEM

PROJECT NO.

C

B

8 7 6 5 4 3 2 1



NOTES

1. MATERIALS: POLYESTER(PBT), UL94V-0, COLOR: NATURAL(WHITE)
2. DRAFT TO BE 0°30' UNLESS SPECIFIED.
3. WARPING TO BE 0.20 MAX.
4. PERMISSIBLE FLASH: 0.10MAX.
5. MATED HOUSING : 35127-****
35128-****
6. PRODUCT SPECIFICATION : PS35129

24	30	351290500	35129-0500	5
18	24	351290400	35129-0400	4
12	18	351290300	35129-0300	3
6	12	351290200	35129-0200	2
B	A	MAT'L NO	ENG NO	CIRCUITS

SECTION Z-Z

REVISED ECN NO. KOR2003-0140 DRWN: H.S.SHIN 02.12.17 CHK: J.K.OH APPR: C.W.LEE	DESCRIPTION MAJOR = CRITICAL C = 1	GENERAL TOLERANCES: (UNLESS SPECIFIED)		SCALE 4:1	DESIGN UNITS <input checked="" type="checkbox"/> mm <input type="checkbox"/> INCH	DIMENSIONS: <input type="checkbox"/> mm <input type="checkbox"/> INCH <input checked="" type="checkbox"/> mm ONLY	SHT REV	
		4 PLACES ±0.	3 PLACES ±0.	2 PLACES ±0.	1 PLACE ±0.2	DRAWN BY & DATE Y.J.KIM 92.01.29		TITLE: 6.0 PITCH W-t-W TPA
		CHECKED BY & DATE Y.J.KIM 92.01.29		APPROVED BY & DATE C.W.LEE 92.01.29		MOLEX INCORPORATED		
		CAD FILENAME SD35129A_C.MI		MATERIAL NO. SEE TABLE				
DRAFT WHERE APPLICABLE MUST REMAIN WITHIN DIMENSIONS		THIS DRAWING CONTAINS INFORMATION THAT IS PROPRIETARY TO MOLEX INCORPORATED AND SHOULD NOT BE USED WITHOUT WRITTEN PERMISSION.				SHEET NO. 1 of 1	SIZE B	

8 7 6 5 4 3 2 1 KOREA MX-A3

F
E
D
C
B
A