

PLEASE CHECK WWW.MOLEX.COM FOR LATEST PART INFORMATION

Part Number: [0003091032](#)
Status: **Active**
Overview: [standard_093](#)
Description: 2.36mm (.093") Diameter Standard .093 Pin and Socket Receptacle Housing, 3 Circuits, Single Row

Documents:

3D Model	Product Specification PS-02-09 (PDF)
Packaging Specification (PDF)	Product Specification PS-43660-9999 (PDF)
Drawing (PDF)	RoHS Certificate of Compliance (PDF)

Agency Certification

CSA	LR19980
UL	E29179

General

Product Family	Crimp Housings
Series	1396
Comments	17.0A max. can be achieved when housing is used with 42477 or 42478 terminals
Overview	standard_093
Product Name	Standard .093"

Physical

Circuits (maximum)	3
Color - Resin	Natural
Flammability	94V-2
Gender	Dual
Glow-Wire Compliant	No
Material - Resin	Nylon
Number of Rows	1
Packaging Type	Bag
Panel Mount	No
Pitch - Mating Interface (in)	0.198 In
Pitch - Mating Interface (mm)	5.03 mm
Stackable	No
Temperature Range - Operating	-40°C to +105°C

Electrical

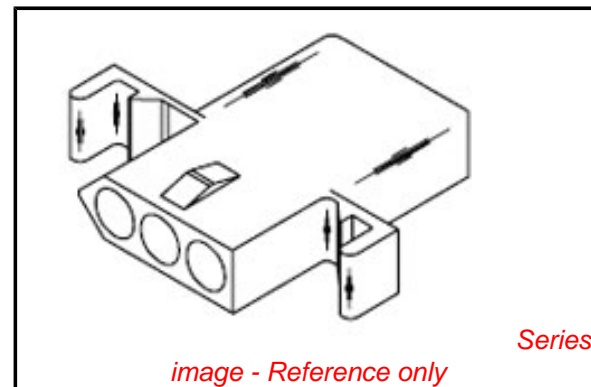
Current - Maximum per Contact	14A
-------------------------------	-----

Material Info

Old Part Number	1396-R1
-----------------	---------

Reference - Drawing Numbers

Packaging Specification	PK-1396-001
Product Specification	PS-02-09, PS-43660-9999
Sales Drawing	SD-1396-*, SD-1396-001, SDA-1840-3-*



EU RoHS

ELV and RoHS Compliant
REACH SVHC
Contains SVHC: No
Halogen-Free
Status

China RoHS



Need more information on product environmental compliance?

Email productcompliance@molex.com
 For a multiple part number RoHS Certificate of Compliance, [click here](#)

Please visit the [Contact Us](#) section for any non-product compliance questions.

Search Parts in this Series

[1396Series](#)

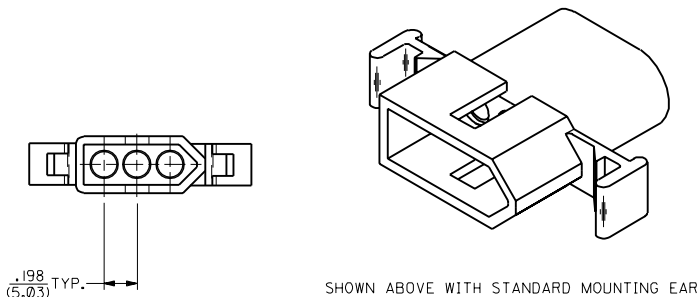
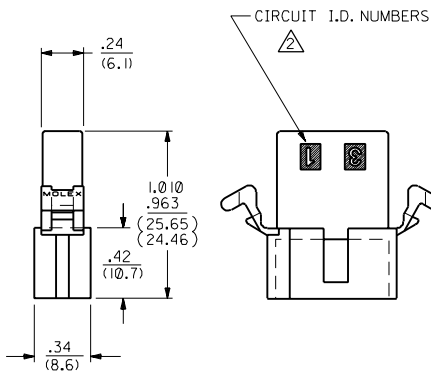
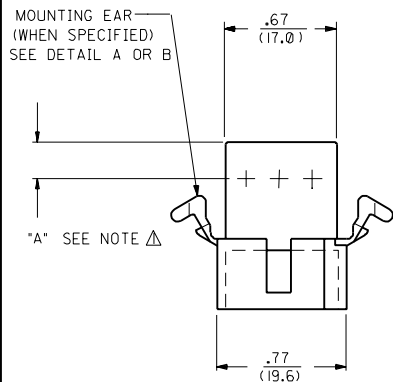
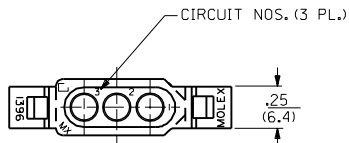
Mates With

[3099](#) shrouded PCB connector, [1396p](#)

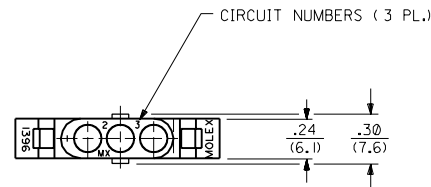
Use With

[1189](#) Crimp Terminals, [1190](#) Crimp Terminals, [1376](#) Male PC Tail Terminals, [1377](#) Female PC Tail Terminals, [1380](#) Male Crimp Terminals, [1381](#) Female Crimp Terminals, [1433](#) Crimp Terminals, [1434](#) Male Crimp Terminals, [1973](#) , [2151](#) , [2273](#) , [2870](#) , [2871](#) , [4272](#) , [4550](#) , [6271](#) , [6310](#) , [42477](#) , [42478](#)

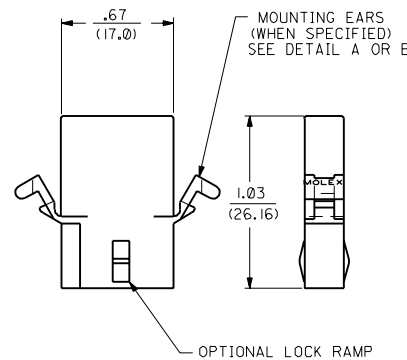
PLUG



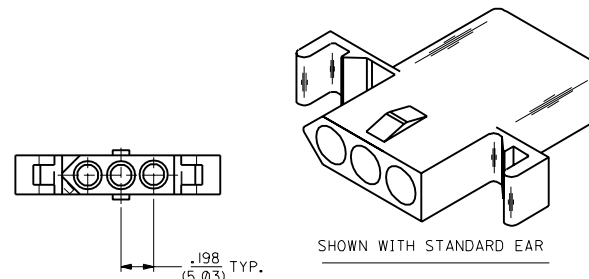
RECEPTACLE



OPTIONAL END CONFIGURATION



"B" SEE NOTE Δ



NOTES:
 Δ DIMENSION FROM THE BACK OF HOUSING TO THE END OF THE BRUSH ON THE WIRE INSERTED INTO THE HOUSING
 DIM "A" = .256/6.50 FOR 42477 & 42478 TERMINALS
 .216/5.49 FOR ALL OTHER .093 TERMINALS
 DIM "B" = .377/9.58 FOR 42477 & 42478 TERMINALS
 .337/8.56 FOR ALL OTHER .093 TERMINALS

Y3	REVISED PER UCR2000-0583 3/1/00 DDS
Y2	REMOVE -R3, -R5 VER. PER ECN #16 1479 6-10-96 RW
Y1	X-REMOVE 1396-R4 ECR U3 1583 GC 10/26/93 RW
Y	ADD CKT. I.D. #'S PER ECR U3 0683 GC 5/4/93 RW
X	REV MAT'L SPECS. ECR U2-1491 10-08-92 A.GUZIK
W1	ADD -D VERSIONS. ECR U1 1106 GC 7/25/91 RW
W	REVISE ON CAD ECR #UB 1381 JJS 4-24-88 RW
2	Y2
1	Y3
MFG. SH.	REV. LTR.
REVISE ONLY ON CAD SYSTEM	

DIMENSIONS SHOWN (METRIC) INCH
 UNLESS OTHERWISE SPECIFIED TOLERANCES ANGULAR ± 1/2°

	INCH	METRIC
3 PLACE	± .010	---
2 PLACE	± .014	± 0.25
1 PLACE	---	± 0.36

DRAFT WHERE APPLICABLE MUST REMAIN WITHIN DIMENSIONS

DRWG. BY: RAS
 APP'D: RAS
 FILE NAME: S1396.3X1.DWG
 DATE: 4/3/88

TITLE: .093/(2.36) HOUSING, PLUG & RECEPTACLE
 3 CIRCUIT, 198/(5.03) C

PART NO. L15LEJLL 60532
 MOLEX INCORPORATED
 U.S.A.

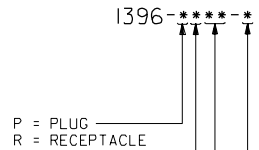
SHEET NO. 1 OF 2
 DATE 4/3/88

DRWG. NO. SD-1396-•

THIS DRAWING CONTAINS INFORMATION THAT IS PROPRIETARY TO MOLEX INC. AND SHOULD NOT BE USED WITHOUT WRITTEN PERMISSION. CP

PLUG		RECEPTACLE	
ORDER NO.	ENG. NO.	ORDER NO.	ENG. NO.
03-09-2031	I396-P	03-09-1031	I396-R
03-09-2032	I396-P1	03-09-1032	I396-R1
03-09-7032	I396-P1BK	03-09-1033	I396-R2
03-09-7031	I396-PBK	03-09-6033	I396-R2BK
PRELIMINARY	I396-P-B	03-09-6032	I396-R1BK
		03-09-6031	I396-RBK
		PRELIMINARY	I396-R-B
		PRELIMINARY	I396-R1-B
		03-09-1081	I396-R4

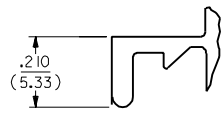
LEGEND:



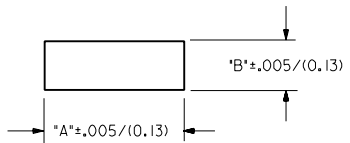
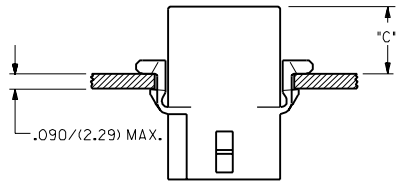
- BLANK = WITH STANDARD EARS
 1 = WITHOUT EARS
 2 = RECEPTACLE WITHOUT EARS, WITHOUT LOCK RAMP
 3 = PLUG ONLY, W/ SIDE MOUNT (SEE SD-I396-P3)
 4 = WITH PREBENT EARS

COLOR: BLANK=NATURAL COLOR
 AM=AMBER BK=BLACK BU=BLUE
 BN=BROWN GY=GRAY GN=GREEN
 OR=ORANGE RD=RED YW=YELLOW

BLANK = NYLON 6/6, 94V-2
 B = NYLON TYPE 6/6, 94V-2, UV STABILIZED



DETAIL A
 STANDARD MOUNTING EAR
 (SCALE 4:1)

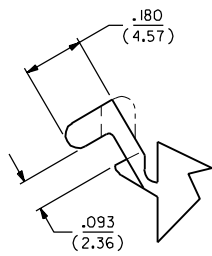
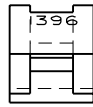


RECOMMENDED PANEL MOUNTING HOLE

HOUSING	DIM. *A*	DIM. *B*	*C* PREBENT EAR	*C* STANDARD EAR
PLUG	.933/(23.70)	.375/(9.53)	.40/(10.2)	.38/(9.7)
RECEPT.	.830/(21.08)	.312/(7.92)	.41/(10.4)	.39/(9.9)

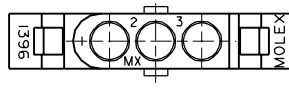
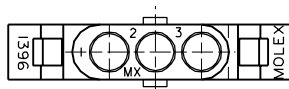
NOTES:

- 1. MOLEX PRODUCT SPEC Q2-09 APPLIES.
- 2. CIRCUIT I.D. NUMBERS ON SIDE OF HOUSING APPEAR ON PARTS FROM TOOLS BUILT AFTER 5/4/93.

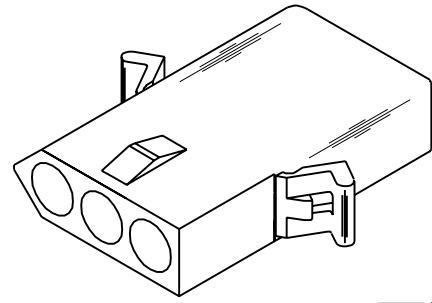


DETAIL B
 PREBENT MOUNTING EAR
 (SCALE 4:1)

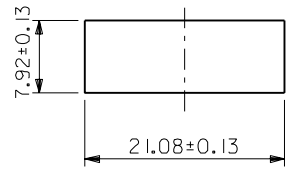
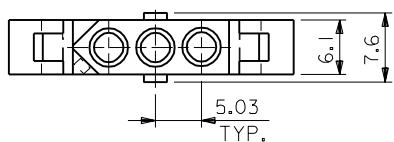
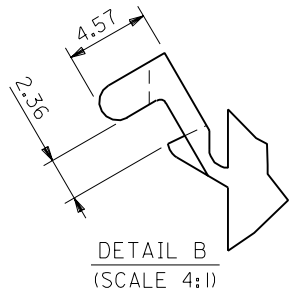
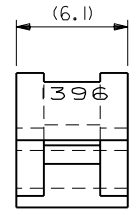
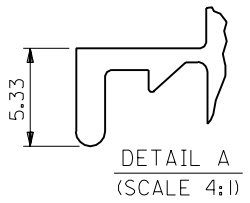
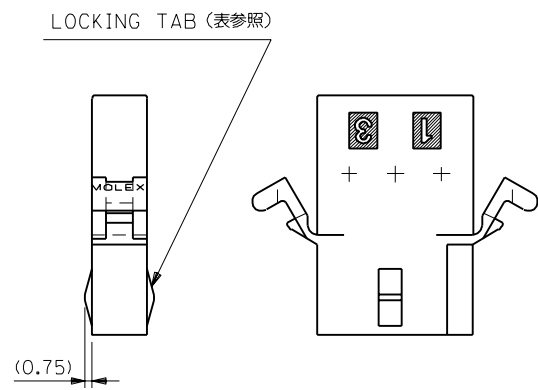
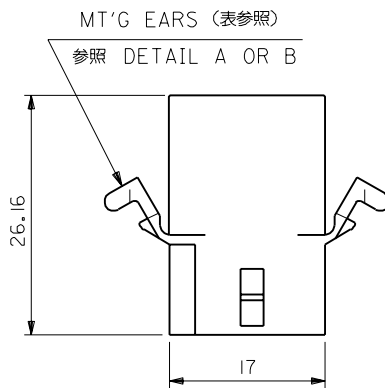
DIMENSIONS SHOWN METRIC (INCH)		UNLESS OTHERWISE SPECIFIED TOLERANCES: ANGULAR ± 1/2°		REVISIONS ONLY ON CAD SYSTEM	
Y2	SEE SHEET I	INCH	METRIC	TITLE	
Y1	SEE SHEET I	3 PLACE ± .010	---	.093/(2.36) HOUSINGS	
Y	SEE SHEET I	2 PLACE ± .014	± 0.25	PLUG & RECEPTACLE	
X	SEE SHEET I	1 PLACE ---	± 0.35	3 CIRCUIT .198/(5.03)E	
W1	SEE SHEET I	DRAFT WHERE APPLICABLE MUST REMAIN WITHIN DIMENSIONS			
W	SEE SHEET I	PART NO. MOLEX INCORPORATED SHEET NO. 2 DATE 4/8/88			
LTR.	REVISIONS	LTR.	REVISIONS	DRAWING NO. SD-1396-*	
APP'D: RAS		CHK'D: RW		FILE NAME: S1396.3X2.DWG	
SCALE: :		SCALE: :		DIV: CP	



OPTIONAL END CONFIGURATION



RECEPTACLE



パネル取付穴寸法
(パネル厚 2.29最大)

I396R4	03-09-1081	有	WITH	有	WITH DETAIL B
I396R2	03-09-1033	無	WITHOUT	無	WITHOUT
I396R1	03-09-1032	有	WITH	無	WITHOUT
I396R	03-09-1031	有	WITH TABS	有	WITH DETAIL A
ENG. NO.	EDP NO.	LOCKING TABS	MT'G EARS		

DO NOT SCALE DRAWING

EC NO. DRWN: CHK: APPR:	EC NO. DRWN: CHK: APPR:	EC NO. DRWN: CHK: APPR:	EC NO. DRWN: CHK: APPR:	RELEASED EC NO. JC2001-0078 DRWN: K.KOHAMA '00/08/28 CHK: T.YAMAGUCHI APPR: M.FUKUSHIMA
----------------------------------	----------------------------------	----------------------------------	----------------------------------	---

MATERIAL 材料	NYLON66 94V-2
FINISH 仕上り	
WIRE RANGE 適用線径範囲	
INS. RANGE 被覆径	

GENERAL TOLERANCES: (UNLESS SPECIFIED) 一般公差	SCALE 2 : 1	DESIGN UNITS <input checked="" type="checkbox"/> mm <input type="checkbox"/> INCH
10 UNDER 未満	+0.25 ±0.2	DRAWN BY & DATE K.KOHAMA '00/08/28
10 OVER 以上	+0.3 ±0.25	CHECKED BY & DATE T.YAMAGUCHI '00/08/28
30 UNDER 未満	+0.35 ±0.3	APPROVED BY & DATE M.FUKUSHIMA '00/08/28
30 OVER 以上		CAD FILENAME I396001.S01
ANGLE 角度	+3°	

MODEL NO.	03-09-1***	DIMENSIONS:	SHT	REV
		<input type="checkbox"/> mm <input type="checkbox"/> INCH <input checked="" type="checkbox"/> mm ONLY		
THIRD ANGLE PROJECTION		REVISE ON CAD ONLY		
TITLE: 3 CIRCUITS RCPT HSG (0.093 DIA TERMINAL)				
MATERIAL NO. SEE NOTES		DRAWING NO. SD-1396-001		SHEET NO. 1 OF 1
MOLEX INCORPORATED				
THIS DRAWING CONTAINS INFORMATION THAT IS PROPRIETARY TO MOLEX INCORPORATED AND SHOULD NOT BE USED WITHOUT WRITTEN PERMISSION.				
				SIZE B

13 12 11 10 9 8 7 6 5 4 3 2 1

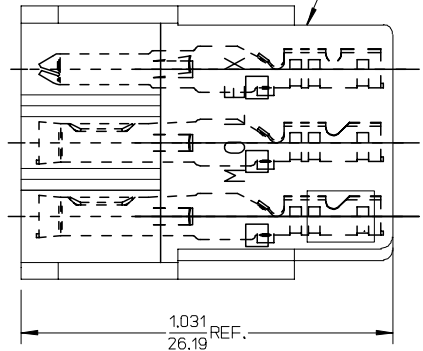
$\frac{.063}{1.59}$ REF.
 $\frac{.060}{1.52}$ DIA. HOLE (TYP.)

$\frac{.051}{1.30}$ DIA. (TYP.)

RECEPTACLE REF.
 03-09-1032
 (1396-R1)

$\frac{.109}{2.78}$ REF.

TERMINAL MUST BE FULLY SEATED OR .010/0.25 MAX GAP



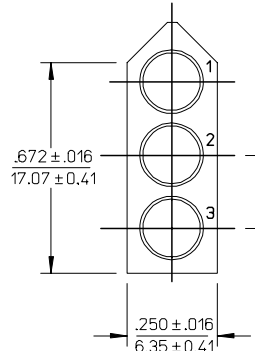
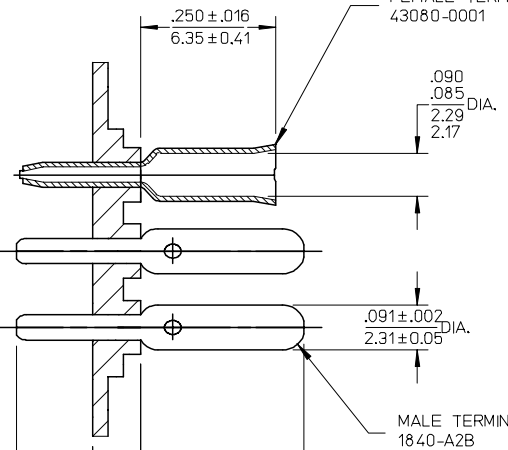
$\frac{1.031}{26.19}$ REF.

PART NO.	ENG. NO.	TERM PATTERN		
		1	2	3
09-18-5032	A-1840-3-01	M	M	M
09-18-5031	A-1840-3-02	F	M	M
09-18-5035	A-1840-3-05	M	F	F
09-18-5930	A-1840-3-09	M	B	M

J
I
H
G
F
E
D
C
B
A

J
I
H
G
F
E
D
C
B
A

FEMALE TERMINAL
 43080-0001



$\frac{.198}{5.03}$ (2 PL.)
 NON-ACCUMULATIVE

NOTES:

- MATERIAL:
 BASE AND RECEPTACLE: NYLON
 TERMINALS: MALE - BRASS
 FEMALE - BRONZE
- FINISH:
 999 - UNPLATED
 102 - (MALE TERMINALS ONLY)
 OVERALL TIN: .000200/0.00508 MIN.
 OVER COPPER: .000100/0.00254 MIN.
 126 - (FEMALE TERMINALS ONLY)
 OVERALL TIN: .000050/0.00127 MIN.
 OVER NICKEL: .000050/0.00127 MIN.
- PRODUCT SPECIFICATION: N/A
- PACKAGING SPECIFICATION: N/A
- POLARIZATION ACCOMPLISHED THROUGH AN INTER-MIX OF MALE AND FEMALE TERMINALS. (MOLEX .093 TERMINALS)
- TERMINAL PATTERN CODE:
 M = MALE TERMINALS
 F = FEMALE TERMINALS
 B = NO TERMINALS
- PARTS TO BE MOUNTED ON SUPPORTED EDGE OF P.C. BOARD

$\frac{.172 \pm .016}{4.37 \pm 0.41}$

$\frac{.094 \pm .016}{2.38 \pm 0.41}$

A-1840-3-2 SHOWN

CONVERT TO ME10 EC NO: UCP2006-0237 DRAWN:FSM/TH 2005/08/11 CHKD:ADERR 2005/08/11 APPR:FSM/TH 2005/08/11 REVISIONS DESCRIPTION	QUALITY SYMBOLS	GENERAL TOLERANCES (UNLESS SPECIFIED)	DIMENSION STYLE	SCALE	DESIGN UNITS	THIRD ANGLE PROJECTION	
	$\nabla=0$	mm INCH	IN/MM	4:1	INCH		
	$\nabla=0$	4 PLACES ± --- ± ---	DRAWN BY DATE	EWC 1974/04/30	TITLE	CONNECTOR-P.C. BOARD	
		3 PLACES ± --- ± .005	CHECKED BY DATE		WAFERCONN		
		2 PLACES ± 0.13 ± .010	APPROVED BY DATE		3 CIRCUIT		

1 PLACE ± 0.25 ± ---	ANGULAR ±1/2°	MATERIAL NO.	DOCUMENT NO.	SHEET NO.
DRAFT WHERE APPLICABLE MUST REMAIN WITHIN DIMENSIONS		SEE CHART	SDA-1840-3-*	1 OF 1

THIS DRAWING CONTAINS INFORMATION THAT IS PROPRIETARY TO MOLEX INCORPORATED AND SHOULD NOT BE USED WITHOUT WRITTEN PERMISSION	
---	--

MOLEX INCORPORATED	
--------------------	--

12 11 10 9 8 7 6 5 4 3 2 1