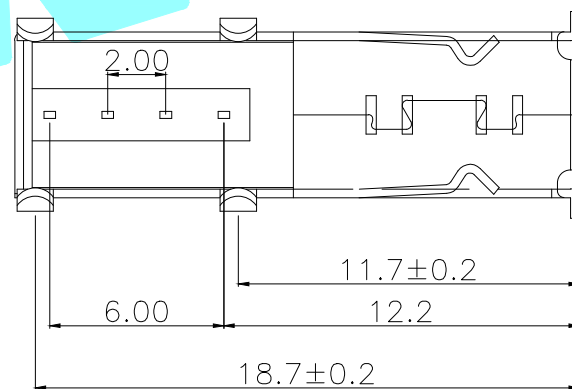



Recommended PCB Layout



NOTES:

- 1 INSULATION MATERIAL THERMOPLASTIC.
- 2 SHELL: SPCC, T: 0.30mm  
PLATING: NICKEL
- 3 TERMINAL: COPPER ALLOY, T: 0.25mm  
PLATING: GOLD/TIN PLATED.
- 4 INSERTION FORCE: 3.57Kgf MAX.
- 5 EXTRACTION FORCE: 1.02Kgf MIN.

③	Base	—	1	NYLON	—	
②	Terminal	—	4	Phosphor Bronze	Ag Plated	
①	Housing	—	1	SPCC	Sn Plated	
ITEM	PART NAME	TER'NO.	QTY.	MATERIAL	FINISHING	REMARK

APPROVALS		DATE		 ELECTRONICS CO.,LTD		
DRAWN	xu qi feng	2018/8/1				
CHECKED				TITLE:	USB CONNECTOR	
APPROVALS				PART NO.	U-A-24DD-Y-13	
TOLERANCES ARE	30~以上	±0.30	ANGLE	UNIT:	mm	SCALE: 1:1
	10~30	±0.25		DRAWING NO.	—	
	5~10	±0.20				
	~ 5	±0.15				
		±2'	SHEET 1 OF 1			

—	A	—	NEW	—	—	—
ECN NO.	REV.	DATE.	DESCRIPTION.	CHANGE.	CHECK.	APPRO.