

NOTES: UNLESS OTHERWISE SPECIFIED
 1. INTERFACE PER CECC 22230.

2. MATERIAL SPECIFICATIONS:
 BODY : BRASS PER ASTM B16.
 OUTER CONTACT & CONTACT: BERYLLIUM COPPER, ASTM B-196.
 INSULATOR: TEFLON PER ASTM D1710.
 FERRULE: COMMERCIAL BRONZE, ASTM-B-135 OR ASTM B-36

3. FINISH SPECIFICATIONS:
 FERRULE: .000050 MIN NICKEL PER AMS-QQ-N290 OVER .000050 MIN COPPER PER ASTM B734 (ROHS)
 CONTACT: .000030 MIN GOLD PER ASTM B488 OVER .000080 MIN NICKEL PER AMS-QQ-N-290 (RoHS).
 ALL OTHER METAL PARTS: .000100 MIN NICKEL PER AMS-QQ-N-290 OVER COPPER FLASH PER ASTM B734 (RoHS).

4. CONTACT AND FERRULE SHIPPED LOOSE.

5. DESIGNED FOR USE WITH BELDEN 1694A CABLE OR EQUIVALENT.

6. FOR CRIMPING USE KINGS KTH-5000 & KTH-5017 OR KTH-1000 & KTH-2325 (.046 AND .278 HEX CAVITY).

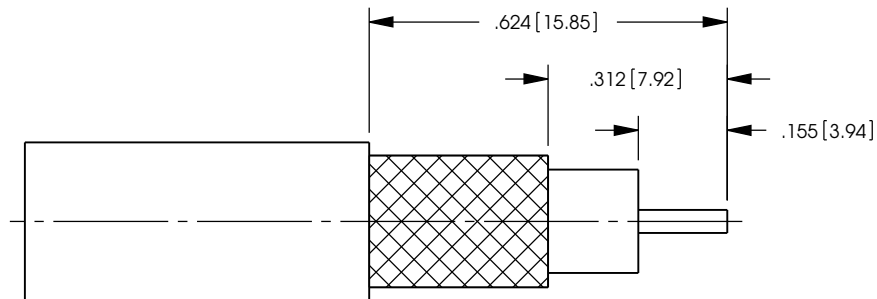
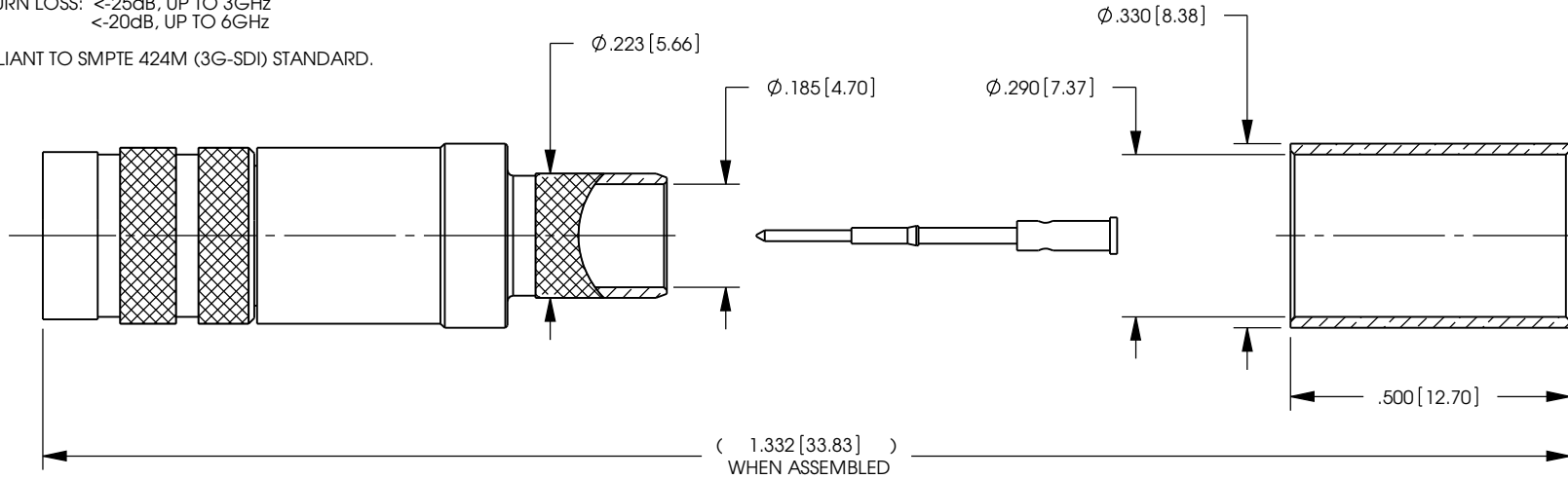
7. ASSEMBLE TO CABLE SEE 3-661-1.

8. ELECTRICAL SPECIFICATIONS:
 IMPEDANCE: 75 OHMS.
 FREQUENCY RANGE: DC-6.0 GHz.
 RETURN LOSS: <-25dB, UP TO 3GHz
 <-20dB, UP TO 6GHz

9. COMPLIANT TO SMPTE 424M (3G-SDI) STANDARD.

REV	DESCRIPTION	BY DATE	APPD
02	PRELIMINARY DRAWING EWR-11-ER32067 ER32387	KPL 04/28/11	DCAM

P/N	DESCRIPTION	QTY
0345-E00-C90001N	SINGLE PACK	1
0345-E00-C90001NU	BULK PACK	400



RECOMMENDED CABLE TRIM DIMENSIONS

CATALOG P/N: 0345-E00-C90001N

PER ASME Y14.5M-1994 UNLESS OTHERWISE SPECIFIED: DIMENSIONS ARE IN INCHES (MM) TOLERANCES: DECIMAL: XX (X.X) ± .01 (0.3) .XXX (X.XX) ± .005 (0.13) .XXXX (X.XXX) ± .XXXX ANGLES: ± 2° SCALE: 3:1				 by WINCHESTER <small>ELECTRONICS</small> Winchester Electronics Corporation 62 Barnes Industrial Road North Wallingford, Connecticut 06492	
CUSTOMER SALES DRAWING			 THIRD ANGLE	75 OHM 1.0/2.3 PLUG FOR BELDEN 1694A CABLE OR EQUIVALENT (ROHS COMPLIANT)	
DRAWN CY	DATE 04/20/11	APPROVED DCam	DATE 04/22/11	A SD0345-E00-C9001N	SHT OF 1 1
APPROVED XXX	DATE XX/XX/XX	APPROVED XXX	DATE XX/XX/XX		