

**PLEASE CHECK WWW.MOLEX.COM FOR LATEST PART INFORMATION**

**Part Number:** [0352840810](#)  
**Status:** **Active**  
**Description:** 2.28mm (.090") Tab Wire-to-Wire Uniconn Housing, Female, 8 Circuits

**Documents:**

[3D Model](#) [Product Specification PS-35282-001 \(PDF\)](#)  
[Drawing \(PDF\)](#) [RoHS Certificate of Compliance \(PDF\)](#)

**General**

Product Family Crimp Housings  
 Series [35284](#)  
 Product Name Uniconn

**Physical**

Circuits (maximum) 8  
 Color - Resin Black, Natural  
 Gender Female  
 Glow-Wire Compliant No  
 Material - Resin Polyester  
 Number of Rows 2  
 Packaging Type Bag  
 Panel Mount No  
 Pitch - Mating Interface (in) 0.150 In  
 Pitch - Mating Interface (mm) 3.80 mm  
 Temperature Range - Operating -40°C to +80°C

**Material Info**

**Reference - Drawing Numbers**

Product Specification PS-35282-001  
 Sales Drawing SD-35284-0810

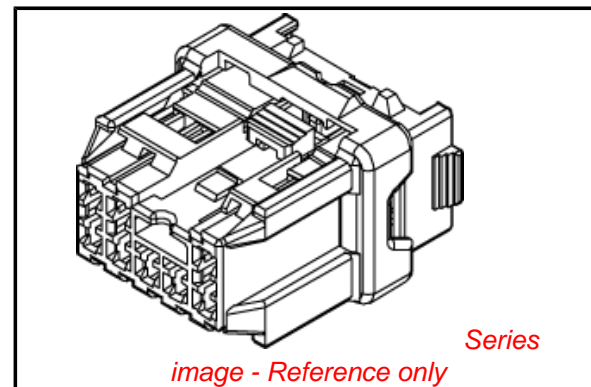


image - Reference only

**EU RoHS**

**ELV and RoHS Compliant**  
**REACH SVHC**  
 Not Reviewed  
**Halogen-Free Status**

**China RoHS**



**Need more information on product environmental compliance?**

Email [productcompliance@molex.com](mailto:productcompliance@molex.com)  
 For a multiple part number RoHS Certificate of Compliance, [click here](#)

Please visit the [Contact Us](#) section for any non-product compliance questions.

**Search Parts in this Series**

[35284Series](#)

**Mates With**

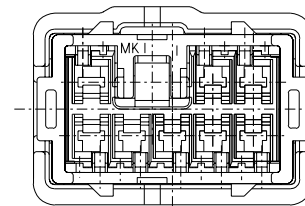
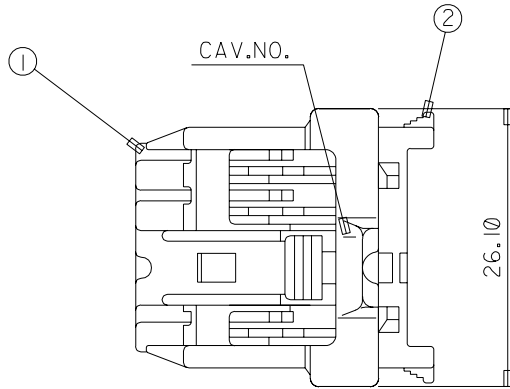
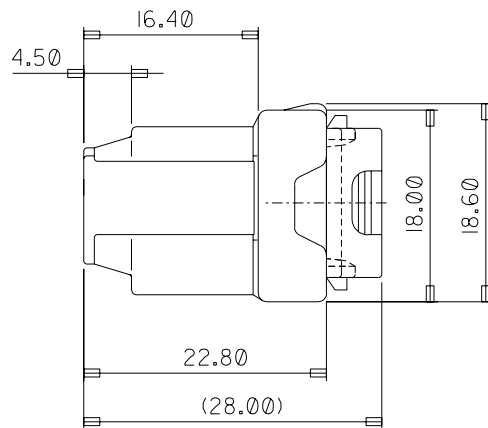
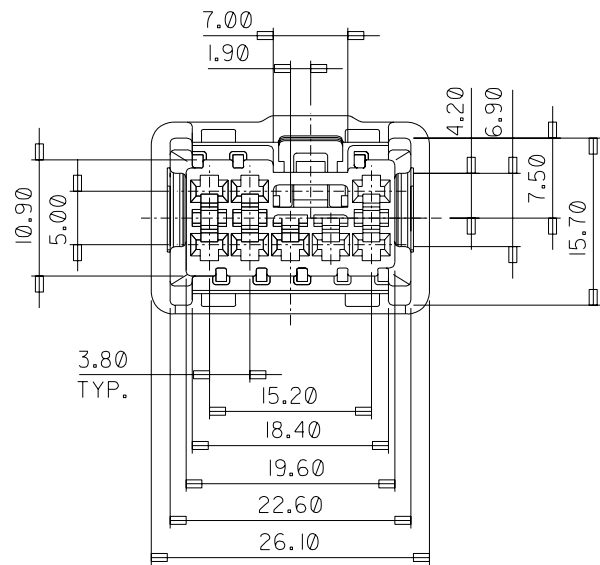
[35282](#)

**Use With**

[35420](#) , [35421](#)

DO NOT SCALE DRAWING  
DIMENSION IN METRIC

PROJECT NO.  
SIMILAR ITEM  
DWG. NO. SD-35284-0810



	PART NO.	PART NAME	MATERIAL
①	35284-0890	UNICONN FEMALE HOUSING-8P	PBT,NATURAL
②	35285-0881	UNICONN FEMALE TPA-8P	PBT,BLACK

352840810	35284-0810
MATERIAL NO.	ENG. NO.

REVISED  
EC NO. KOR2003-0057  
DRWN: S.M.KIM 03/09/10  
CHKR: C.YOON 03/09/10  
APPR: C.W.LEE

QUALITY SYMBOLS  
MAJOR  
CRITICAL

GENERAL TOLERANCES: (UNLESS SPECIFIED)	SCALE	DESIGN UNITS
4 PLACES ±0.1	1:1	<input checked="" type="checkbox"/> mm <input type="checkbox"/> INCH
3 PLACES ±0.15		
2 PLACES ±0.2		
1 PLACE ±0.30		
ANGULAR: ±1.0°		

DRAWN BY & DATE  
W.Y. YANG, 97/11/17  
CHECKED BY & DATE  
B.K. CHOI, 97/11/17  
APPROVED BY & DATE  
C.W. LEE, 97/11/17

DIMENSIONS: <input type="checkbox"/> mm <input type="checkbox"/> INCH		SHT REV	
THIRD ANGLE PROJECTION		REVISE ON CAD ONLY	
TITLE: UNICONN FEMALE ASS'Y-8P		MATERIAL NO. SEE TABLE	
DRAWING NO. SD 35284-0810		SHEET NO. 1/1	
MOLEX INCORPORATED		SIZE C	
CAD FILENAME SD2840810.DGN		THIS DRAWING CONTAINS INFORMATION THAT IS PROPRIETARY TO MOLEX INCORPORATED AND SHOULD NOT BE USED WITHOUT WRITTEN PERMISSION.	