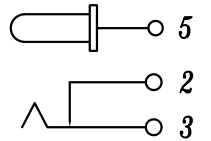
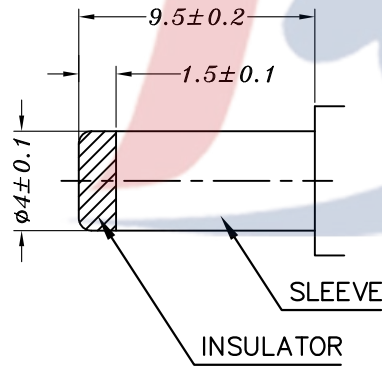


HOLE LAYOUT  
(BOTTOM VIEW)

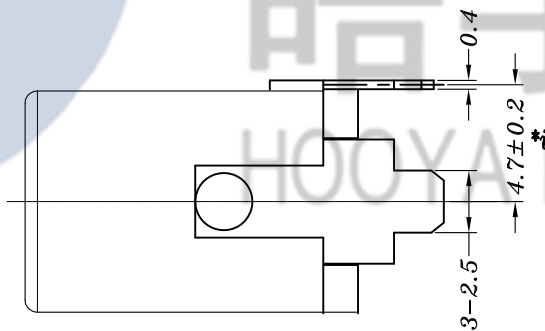


DC-013D

SCHEMATIC



MATE PLUG



Specification:

1. Rating : DC 12V 3A.
2. Contact resistance:  $\leq 50m\Omega$ . After test:  $\leq 100m\Omega$ .
3. Insulation resistance:  $\geq 100M\Omega$  (500VDC).
4. Withstanding voltage: 500VAC.
5. Insertion and extraction force: 5N~30N.
6. life test: 5000cycles min.
7. Operation temperature range:  $-20^{\circ}C \sim 70^{\circ}C$ .

					TOLERANCE UNLESS SPECIFIED							
					UP TO 5mm: $\pm 0.1$	ANGULAR	A0	2020.03.20	首次发行		GYW	
					ABOVE 5mm: $\pm 0.2$	$\pm 1^{\circ}$	NO	DATE	REVISIONS		BY	APPD
6	DC005C PING	BRASS	1	Ni PLATED	TITLE:DC JACK			UNIT : MM	ROHS COMPLIANT	DWN		
5	DC013D 3#SPRING	PBS	1	Ag PLATED	MODEL:DC-013D $\phi$ 1.65-PU			SCALE: 3:1	CHK'D			
4	DC013D 2#CURVE PIECE	BRASS	1	Ag PLATED	HOOYA ELECTRONIC CO. LTD 皓宇电子有限公司			APPD				
3	DC013D 5#FLAT PIECE	BRASS	1	Ag PLATED				PRO.AGL:			REV :A0	
2	DC013A BASE	PHENOLIC RESIN	1	YELLOW								
1	DC005CA CASE	LCP	1	BLACK								
NO.	PART NAME	MATERIAL	QTY	FINISHING								