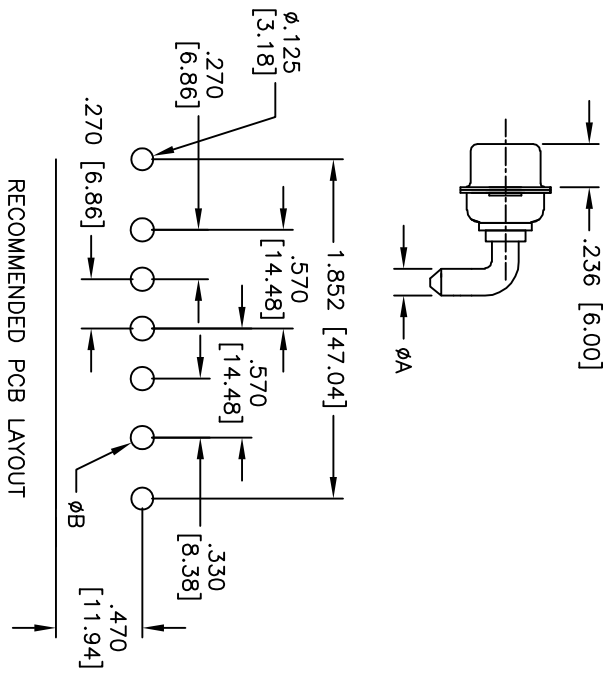
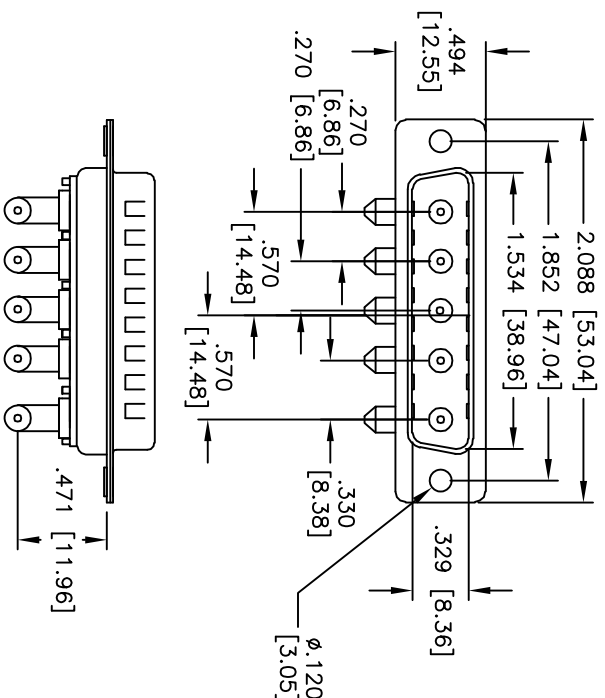


Rev	AWO #	Description	Date	Appr
-		RELEASED	5/03/10	

APPROVED: \_\_\_\_\_  
 DATE: \_\_\_\_\_ TITLE: \_\_\_\_\_



PART NO.	CURRENT RATING	DIMENSION	
		ØA	ØB
D5W5-PLP-3-1	10 AMPS	Ø.067 [1.70]	Ø.087 [2.20]
D5W5-PLP-4-1	20 AMPS	Ø.110 [2.80]	Ø.129 [3.28]
D5W5-PLP-5-1	30 AMPS	Ø.126 [3.20]	Ø.144 [3.65]
D5W5-PLP-6-1	40 AMPS	Ø.148 [3.75]	Ø.165 [4.20]

**B SPECIFICATIONS:**  
 Material:  
 Insulator: PBT, glass reinforced, rated UL 94V-0  
 Insulator color: Black  
 Contacts: Brass  
 Shell: Steel, Tin plated  
 Hardware: Brass, Nickel plated  
 Plating:  
 Gold flash over Nickel underplate overall  
 Electrical:  
 Current rating: 10, 20, 30, 40 Amps max. (See Chart)  
 Contact resistance: 10 mohms max  
 Insulation resistance: 5,000 Mohms min  
 Dielectric withstanding voltage: 1,000 VAC for 1 minute  
 Temperature Rating:  
 Operating temperature: -55°C to +125°C  
 Environmental:  
 Lead free, RoHS compliant  
 Recommended soldering temp: 235°C for 5 seconds

UNLESS OTHERWISE SPECIFIED  
 ALL DIMENSIONS ARE INCHES [MM]  
 TOLERANCES: EXCEPT AS NOTED  
 INCHES Holes  
 .X ±.10 Ø.X  
 .XX ±.020 Ø.XXX  
 .XXX ±.015 Ø.XXX  
 APPROVALS \_\_\_\_\_ DATE \_\_\_\_\_  
 DRAWN \_\_\_\_\_ DY \_\_\_\_\_ 5/03/10  
 CHECKED \_\_\_\_\_  
 APPROVED \_\_\_\_\_

**ADAM TECH**  
 909 Rahway Avenue, Union, NJ 07083  
 Phone: 908-687-5000 Fax: 908-687-5710  
 TITLE: D-SUB, MALE POWER, D5W5, RIGHT  
 ANGLE, PCB 10A, 20A, 30A, 40A



SIZE	PART NO.	REV.
X	D5W5-PLP-X-1	-

REF: S00019T SCALE: NTS SHEET 1 OF 1