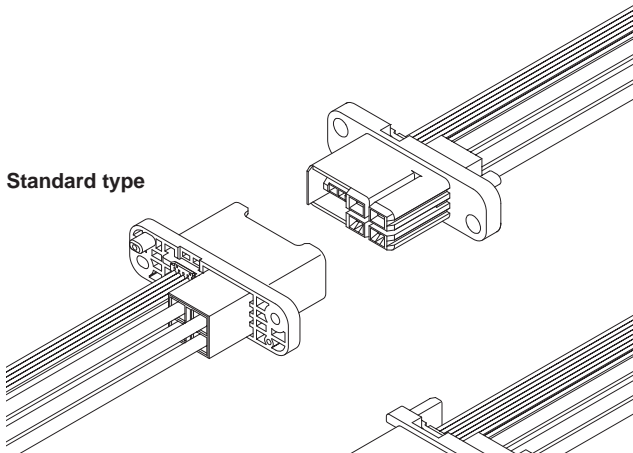


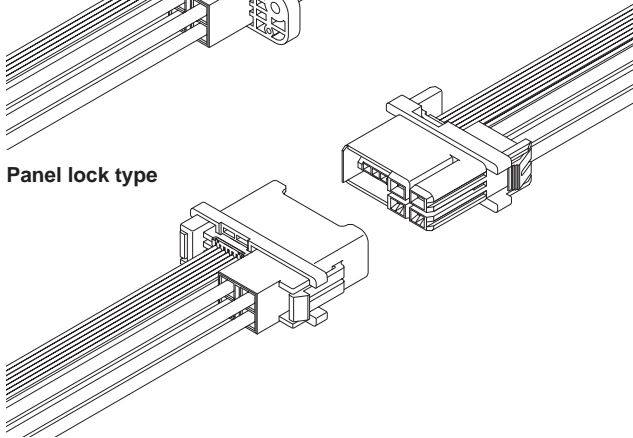
# RWZ CONNECTOR

**Disconnectable Crimp style Wire-to-wire connectors**

Standard type



Panel lock type



**In unit connection, this RWZ connector is a hybrid type double row drawer connector with combined signal and power supply circuits, absorbs misalignment between units, and excels durability.**

- High durability
- Absorbed misalignment mechanism
- Space saving
- Hybrid type

## Specifications

- Current rating: Signal circuit 1.0 A AC, DC (AWG #26)  
Power supply circuit 15 A AC, DC (AWG #14)
- Voltage rating: Signal circuit 50 V AC, DC  
Power supply circuit 250 V AC, DC
- Temperature range: -25°C to +85°C  
(including temperature rise in applying electrical current)
- Contact resistance:  
Signal circuit Initial value/ 40 mΩ max.  
After environmental tests/ 60 mΩ max.  
Power supply circuit Initial value/ 10 mΩ max.  
After environmental tests/ 20 mΩ max.
- Insulation resistance: 500 MΩ min.
- Withstanding voltage: Signal circuit 500 VAC  
Power supply circuit 1,500 VAC
- Applicable wire: Power supply circuit Conductor AWG #24 to #14  
Insulation O.D. 1.4 to 3.6 mm  
Signal circuit Applicable receptacle CZ, CZH
- Mounting method: Screw, Panel lock

\* In using the products, refer to "Handling Precaution for Terminal and Connector" described on our website (Technical documents of Product information page).

\* Contact JST for details.

\* Compliant with RoHS.

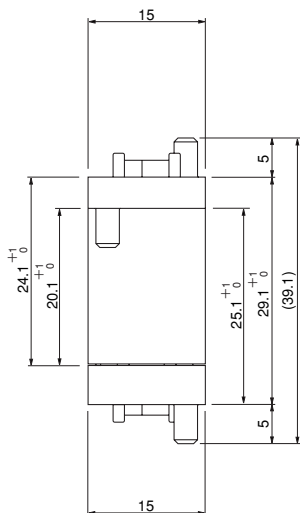
## Standards

Recognized E60389

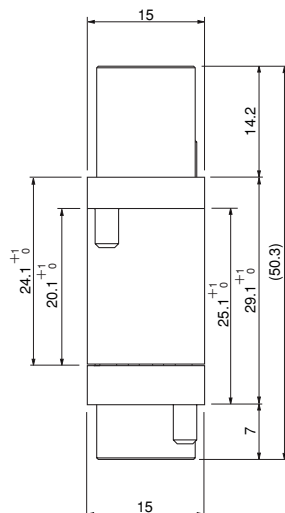
Certified LR20812

## Assembly layout

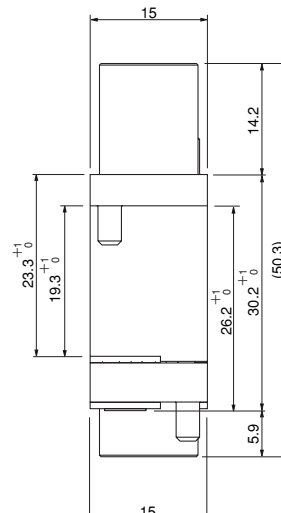
Standard type  
Signal type



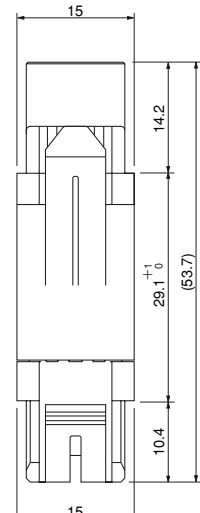
Standard type  
Hybrid type



Floating bushing type  
Hybrid type



Panel lock type  
Hybrid type

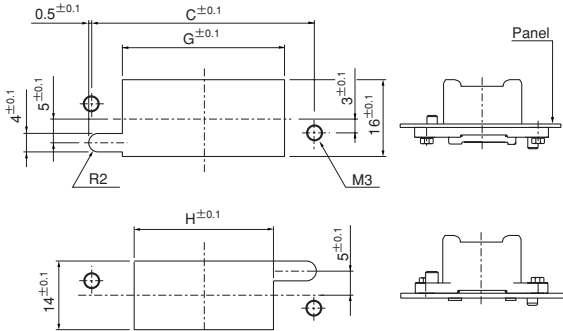


## Panel layout

### Plug

#### Standard type

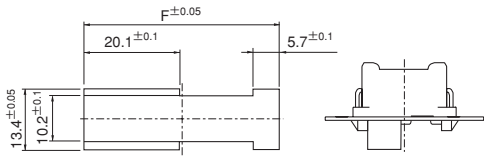
Panel thickness: 0.8 to 2.0 mm



### Plug

#### Panel lock type

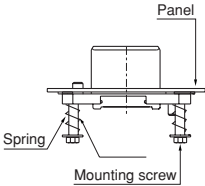
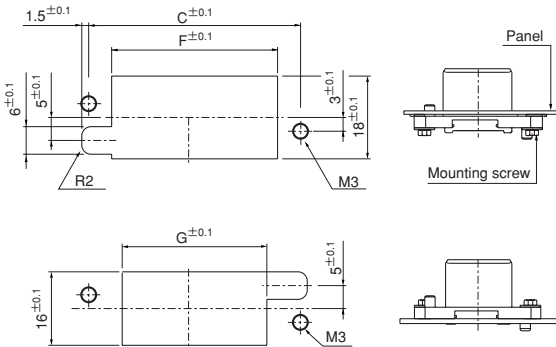
Panel thickness: 2.0 mm



### Receptacle

#### Standard type

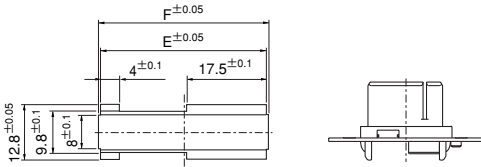
Panel thickness: 0.8 to 2.0 mm



### Receptacle

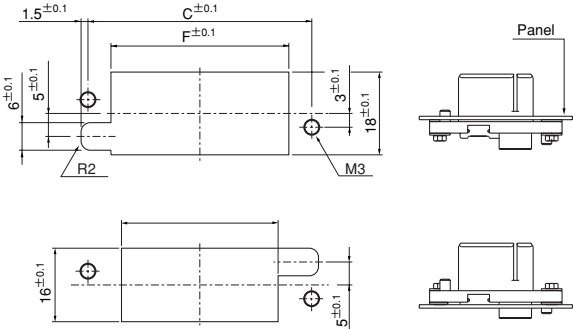
#### Panel lock type

Panel thickness: 1.2 mm, 1.6 mm, 2.0 mm



#### Floating bushing type

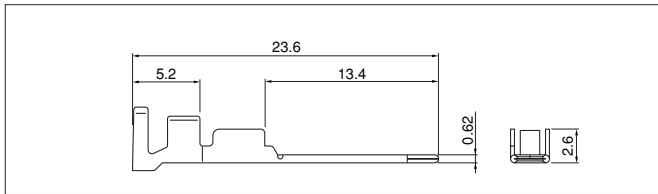
Panel thickness: 0.8 to 2.0 mm



Note: 1. Punch holes in the panel according to the figures shown above. Burrs must be removed.  
 2. The strength of the panel must be considered when punching two or more holes.  
 3. The connector must be inserted from the same side as the hole is punched.

# RWZ CONNECTOR

## Plug contact for power supply circuit



Model No.	Applicable wire		Insulation O.D. (mm)	Q'ty/reel
	mm <sup>2</sup>	AWG #		
SRWM-01GG-S0.6	0.2~0.5	24~20	1.4~1.9	4,000
SRWM-21GG-S0.6	0.3~0.75	22~18	1.55~3.1	3,000
SRWM-61GG-S0.6	0.75~2.0	18~14	2.0~3.6	3,000

### Material and Finish

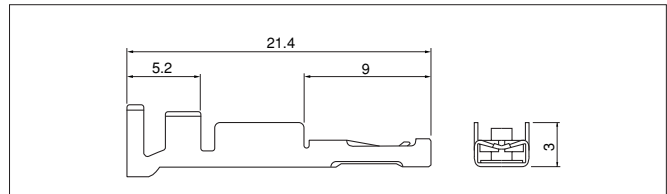
Copper alloy, nickel-undercoated, Contacting part; gold-plated  
Crimping part; tin-plated (reflow treatment)

**RoHS compliance** This product displays (LF)(SN) on a label.

Contact	Crimping machine	Applicator		
		Crimp applicator	Dies	Crimp applicator with dies
SRWM-01GG-S0.6	AP-K2N	MKS-L	MK/SRPF/M-01-06	APLMK SRPF/M01-06
		—	—	—
SRWM-21GG-S0.6		MKS-L	MK/SRPF/M-21-06	APLMK SRPF/M21-06
		—	—	—
SRWM-61GG-S0.6		MKS-L	MK/SRPF/M-61-06	APLMK SRPF/M61-06
		—	—	—

Note: Contact JST for fully automatic crimping applicator.

## Receptacle contact for power supply circuit



Model No.	Applicable wire		Insulation O.D. (mm)	Q'ty/reel
	mm <sup>2</sup>	AWG #		
SRWF-01GG-M0.6	0.2~0.5	24~20	1.4~1.9	4,000
SRWF-21GG-M0.6	0.3~0.75	22~18	1.55~3.1	3,000
SRWF-61GG-M0.6	0.75~2.0	18~14	2.0~3.6	3,000

### Material and Finish

Copper alloy, nickel-undercoated, Contacting part; gold-plated  
Crimping part; tin-plated (reflow treatment)

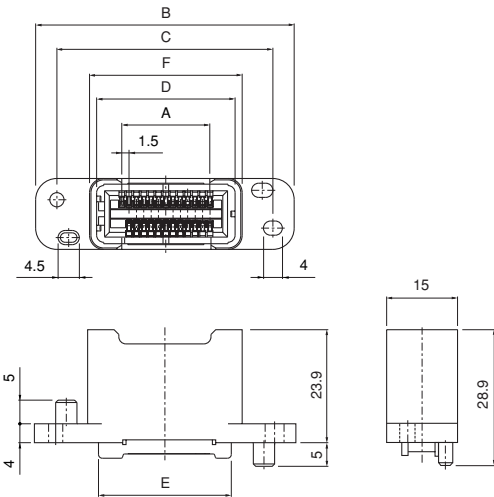
**RoHS compliance** This product displays (LF)(SN) on a label.

Contact	Crimping machine	Applicator		
		Crimp applicator	Dies	Crimp applicator with dies
SRWF-01GG-M0.6	AP-K2N	MKS-L	MK/SRPF/M-01-06	APLMK SRPF/M01-06
		—	—	—
SRWF-21GG-M0.6		MKS-L	MK/SRPF/M-21-06	APLMK SRPF/M21-06
		—	—	—
SRWF-61GG-M0.6		MKS-L	MK/SRPF/M-61-06	APLMK SRPF/M61-06
		—	—	—

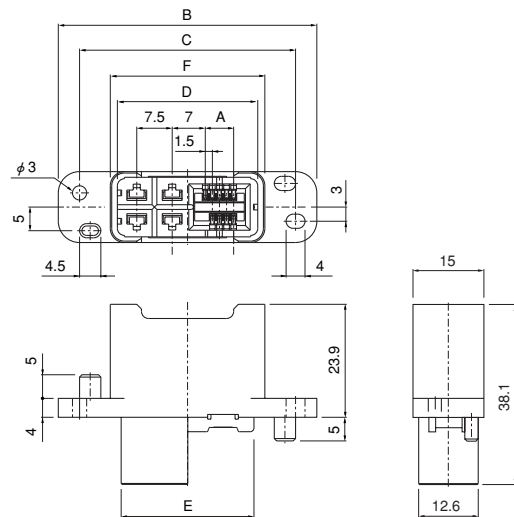
Note: Contact JST for fully automatic crimping applicator.

## Plug

### Standard/Signal circuit type



### Standard/Hybrid type (Connector with integrated signal and power)



No. of circuits	Model No.	Dimensions (mm)								Q'ty/box
		A	B	C	D	E	F	G	H	
25	25P-RWZV-K4GG	18.0	53.2	44.2	28.2	26.6	31.2	32.2	27.6	240
31	31P-RWZV-K4GG	22.5	57.7	48.7	32.7	31.1	35.7	36.7	32.1	216
33	33P-RWZV-K4GG	24.0	59.2	50.2	34.2	32.6	37.2	38.2	33.6	192

### Material and Finish

Contact: Copper alloy, nickel-undercoated, selective gold-plated, tin-plated (reflow treatment)  
Housing: PBT, UL94V-0, black

**RoHS compliance** This product displays (LF)(SN) on a label.

No. of circuits	Model No.	Dimensions (mm)								Q'ty/box
		A	B	C	D	E	F	G	H	
2	39P-RWZV-K4GG-P2	28.5	69.7	60.7	44.7	43.1	47.7	48.7	44.1	168
4	9	09P-RWZV-K4GG-P4	6.0	54.7	45.7	29.7	28.1	32.7	33.7	216
	13	13P-RWZV-K4GG-P4	9.0	57.7	48.7	32.7	31.1	35.7	36.7	216
6	21	21P-RWZV-K4GG-P4	15.0	63.7	54.7	38.7	37.1	41.7	42.7	192
	19	19P-RWZV-K4GG-P6	13.5	69.7	60.7	44.7	43.1	47.7	48.7	168
	23	23P-RWZV-K4GG-P6	16.5	72.7	63.7	47.7	46.1	50.7	51.7	144

### Material and Finish

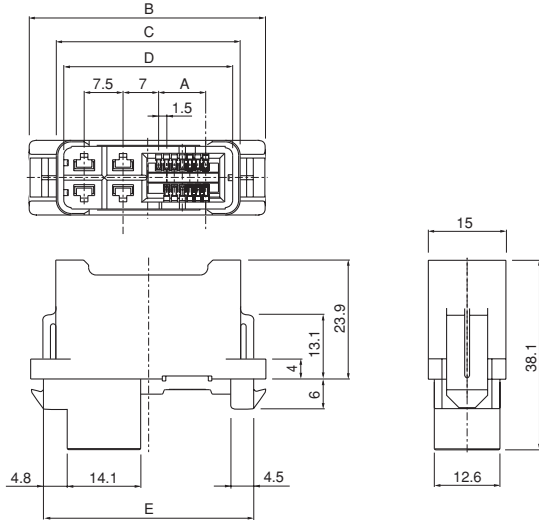
Signal contact: Copper alloy, nickel-undercoated, selective gold-plated, tin-plated (reflow treatment)  
Housing: PBT, UL94V-0, black

**RoHS compliance** This product displays (LF)(SN) on a label.

# RWZ CONNECTOR

## Plug

### Panel lock/ Hybrid type (Connector with integrated signal and power)



No. of circuits		Model No.	Dimensions (mm)						Q'ty/ box
Power supply	Signal		A	B	C	D	E	F	
4	13	<b>13P-RWZV-K4GG-P4FL</b>	9.0	45.5	35.7	32.7	40.7	41.5	216

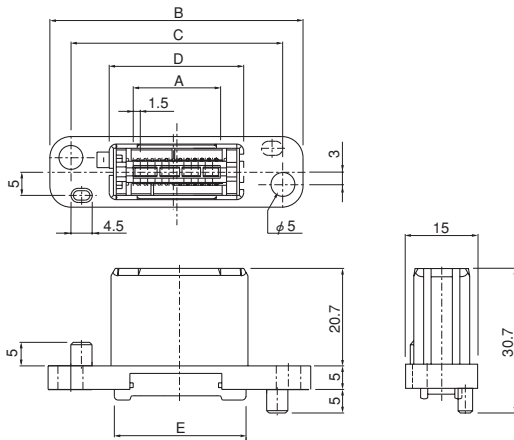
#### Material and Finish

Signal contact: Copper alloy, nickel-undercoated, selective gold-plated, tin-plated (reflow treatment)  
Housing: PBT, UL94V-0, black

**RoHS compliance** This product displays (LF)(SN) on a label.

## Receptacle

### Standard/Signal circuit type



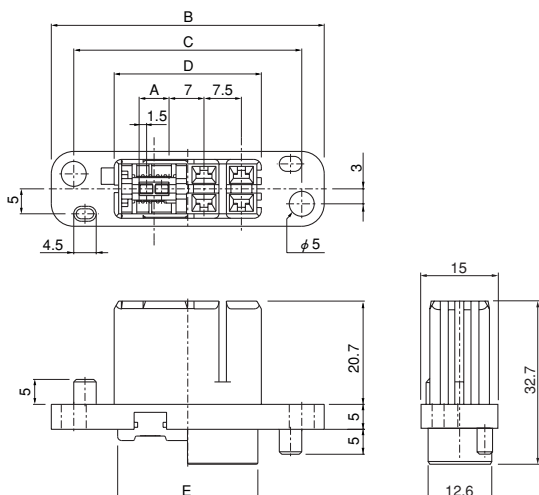
No. of circuits		Model No.	Dimensions (mm)							Q'ty/ box
Power supply	Signal		A	B	C	D	E	F	G	
25		<b>25R-RWZV-K2GG</b>	18.0	53.2	44.2	28.0	26.6	34.2	29.6	240
-	31	<b>31R-RWZV-K2GG</b>	22.5	57.7	48.7	32.5	31.1	38.7	34.1	216
-	33	<b>33R-RWZV-K2GG</b>	24.0	59.2	50.2	34.0	32.6	40.2	35.6	240

#### Material and Finish

Contact: Copper alloy, nickel-undercoated, selective gold-plated, tin-plated (reflow treatment)  
Housing: PBT, UL94V-0, black

**RoHS compliance** This product displays (LF)(SN) on a label.

### Standard/ Hybrid type (Connector with integrated signal and power)



No. of circuits		Model No.	Dimensions (mm)							Q'ty/ box
Power supply	Signal		A	B	C	D	E	F	G	
2	39	<b>39R-RWZV-K2GG-P2</b>	28.5	69.7	60.7	44.5	43.1	50.7	46.1	168
	9	<b>09R-RWZV-K2GG-P4</b>	6.0	54.7	45.7	29.5	28.1	35.7	31.1	216
4	13	<b>13R-RWZV-K2GG-P4</b>	9.0	57.7	48.7	32.5	31.1	38.7	34.1	216
	21	<b>21R-RWZV-K2GG-P4</b>	15.0	63.7	54.7	38.5	37.1	44.7	40.1	192
6	19	<b>19R-RWZV-K2GG-P6</b>	13.5	69.7	60.7	44.5	43.1	50.7	46.1	168
	23	<b>23R-RWZV-K2GG-P6</b>	16.5	72.7	63.7	47.5	46.1	53.7	49.1	144

#### Material and Finish

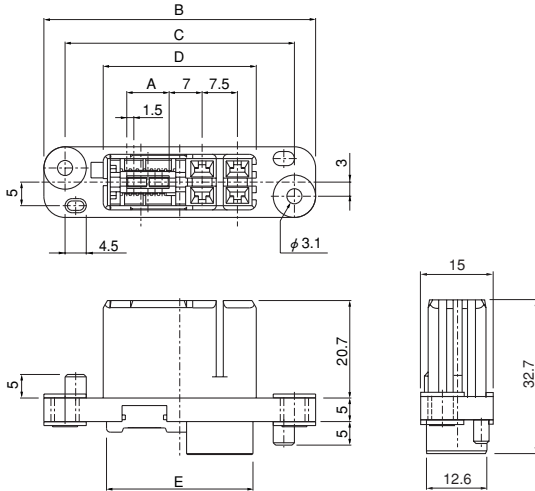
Signal contact: Copper alloy, nickel-undercoated, selective gold-plated, tin-plated (reflow treatment)  
Housing: PBT, UL94V-0, black

**RoHS compliance** This product displays (LF)(SN) on a label.

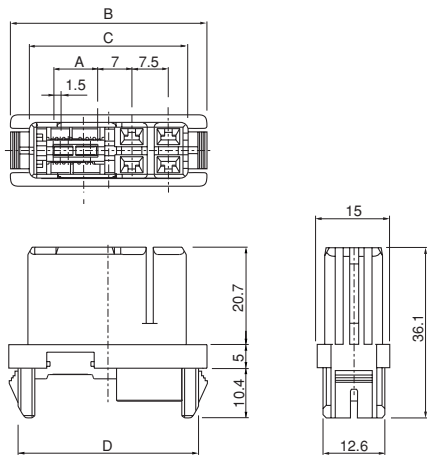
# RWZ CONNECTOR

## Receptacle

### Floating bushing/ Hybrid type (Connector with integrated signal and power)



### Panel lock/ Hybrid type (Connector with integrated signal and power)



No. of circuits	Power supply	Signal	Model No.	Dimensions (mm)							Q'ty/box
				A	B	C	D	E	F	G	
2	39		39R-RWZV-K2GG-P2BM	28.5	69.7	60.7	44.5	43.1	50.7	46.1	168
4	9		09R-RWZV-K2GG-P4BM	6.0	54.7	45.7	29.7	28.1	35.7	31.1	216
	21		21R-RWZV-K2GG-P4BM	15.0	63.7	54.7	38.5	37.1	44.7	40.1	192

#### Material and Finish

Signal contact: Copper alloy, nickel-undercoated, selective gold-plated, tin-plated (reflow treatment)  
Housing: PBT, UL94V-0, black  
Washer: Copper alloy, nickel-plated  
Floating rivet: Copper alloy, nickel-plated

**RoHS compliance** This product displays (LF)(SN) B on a label.

No. of circuits	Power supply	Signal	Model No.	Dimensions (mm)							Q'ty/box	
				A	B	C	D	E	F			
4	13		13R-RWZV-K2GG-P4RL	9.0	40.3	32.5	36.5	36.7	37.2	t=1.2	t=1.6,2.0	264

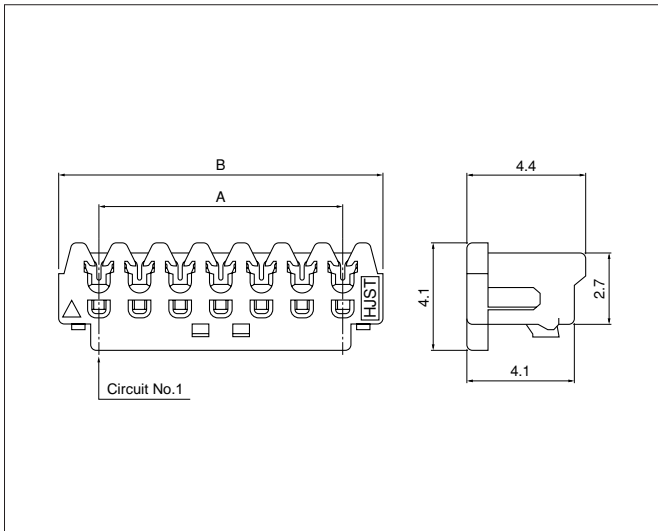
#### Material and Finish

Signal contact: Copper alloy, nickel-undercoated, selective gold-plated, tin-plated (reflow treatment)  
Housing: PBT, UL94V-0, black

**RoHS compliance** This product displays (LF)(SN) on a label.

# RWZ CONNECTOR

## CZ connector socket



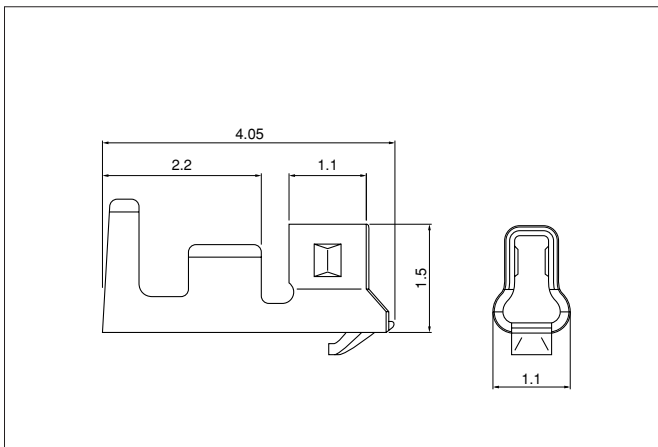
No. of circuits	Model No.		Dimensions (mm)		Q'ty/box
	Gray	Yellow	A	B	
4	<b>04CZ-6H</b>	<b>04CZ-6Y</b>	4.5	7.5	2,000
5	<b>05CZ-6H</b>	<b>05CZ-6Y</b>	6.0	9.0	2,000
6	<b>06CZ-6H</b>	<b>06CZ-6Y</b>	7.5	10.5	2,000
7	<b>07CZ-6H</b>	<b>07CZ-6Y</b>	9.0	12.0	2,000
9	<b>09CZ-6H</b>	<b>09CZ-6Y</b>	12.0	15.0	1,000
10	<b>10CZ-6H</b>	<b>10CZ-6Y</b>	13.5	16.5	1,000
11	<b>11CZ-6H</b>	<b>11CZ-6Y</b>	15.0	18.0	1,000
12	<b>12CZ-6H</b>	<b>12CZ-6Y</b>	16.5	19.5	1,000
13	<b>13CZ-6H</b>	<b>13CZ-6Y</b>	18.0	21.0	1,000
15	<b>15CZ-6H</b>	<b>15CZ-6Y</b>	21.0	24.0	1,000
16	<b>16CZ-6H</b>	<b>16CZ-6Y</b>	22.5	25.5	1,000
17	<b>17CZ-6H</b>	<b>17CZ-6Y</b>	24.0	27.0	1,000
19	<b>19CZ-6H</b>	<b>19CZ-6Y</b>	27.0	30.0	1,000
20	<b>20CZ-6H</b>	<b>20CZ-6Y</b>	28.5	31.5	1,000

### Material and Finish

Contact: Copper alloy, tin-plated (reflow treatment)  
Housing: Glass-filled PA 66, UL94V-0

**RoHS compliance**

## CZH connector contact



Model No.	Applicable wire		Insulation O.D. (mm)	Q'ty/reel
	mm <sup>2</sup>	AWG #		
<b>SCZH-002T-P0.5</b>	0.08~0.13	28~26	0.8~1.1	13,000

### Material and Finish

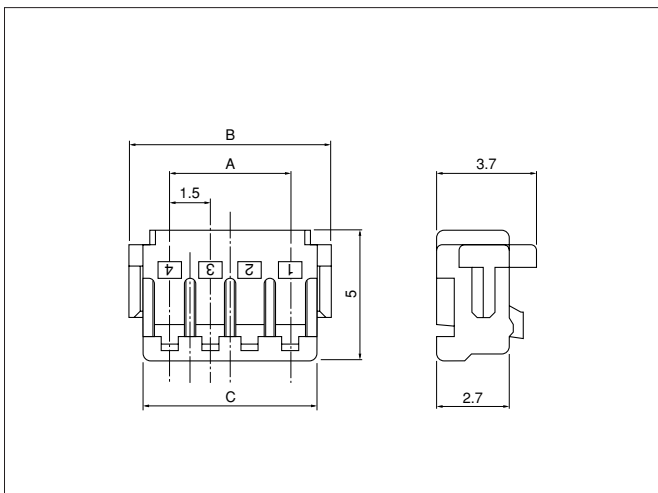
Copper alloy, tin-plated (reflow treatment)

**RoHS compliance**

Contact	Crimping machine	Applicator		
		Crimp applicator	Dies	Crimp applicator with dies
<b>SCZH-002T-P0.5</b>	AP-K2N	MKS-L	MK/SCZH-002-05	APLMK SCZH002-05
		—	—	—

Note: Contact JST for fully automatic crimping applicator.

## CZH connector housing



No. of circuits	Model No.	Dimensions (mm)			Q'ty/box
		A	B	C	
4	<b>CZHR-04V-S</b>	4.5	7.5	6.5	1,000
5	<b>CZHR-05V-S</b>	6.0	9.0	8.0	1,000
6	<b>CZHR-06V-S</b>	7.5	10.5	9.5	1,000
7	<b>CZHR-07V-S</b>	9.0	12.0	11.0	1,000
9	<b>CZHR-09V-S</b>	12.0	15.0	14.0	1,000
10	<b>CZHR-10V-S</b>	13.5	16.5	15.5	1,000
11	<b>CZHR-11V-S</b>	15.0	18.0	17.0	1,000
12	<b>CZHR-12V-S</b>	16.5	19.5	18.5	1,000
13	<b>CZHR-13V-S</b>	18.0	21.0	20.0	1,000
15	<b>CZHR-15V-S</b>	21.0	24.0	23.0	1,000
16	<b>CZHR-16V-S</b>	22.5	25.5	24.5	1,000
17	<b>CZHR-17V-S</b>	24.0	27.0	26.0	1,000
19	<b>CZHR-19V-S</b>	27.0	30.0	29.0	1,000
20	<b>CZHR-20V-S</b>	28.5	31.5	30.5	1,000

### Material

PBT, UL94V-0, natural (white)

**RoHS compliance**