



N Male Connector Solder Attachment 4 Hole Flange Mount Solder Cup Terminal, .718 inch Hole Spacing

RF Connectors Technical Data Sheet

PE4131

Configuration

- N Male Connector
- 50 Ohms
- Straight Body Geometry
- Solder Cup Interface Type
- Solder Attachment
- 4 Hole Flange

Features

- Gold Plated Brass Contact

Applications

- General Purpose Test
- Rack and Panel Mount Applications

Description

Pasternack's PE4131 type N male connector solder attachment 4 hole flange mount solder cup terminal, .718 inch hole spacing is part of our full line of RF components available for same-day shipping. This type N 4 hole flange connector allows designers to create external connections on their product enclosures, and can be used in a variety of other rack mount and panel mount applications.

Our type N male 4 hole flange connector PE4131 datasheet specifications and drawing with dimensions are shown below in this PDF. Pasternack's broad catalog of RF, microwave and millimeter wave connectors allows designers to configure and customize their signal connections however they like. Whether the need is to provide an I/O for a board design, or simply create a custom cable assembly configuration, Pasternack has the right connector for the job. Pasternack can also expertly build your custom cable connector assemblies for you and ship same-day.

Mechanical Specifications

Size

Length	0.958 in [24.33 mm]
Width/Dia.	1 in [25.40 mm]
Height	1 in [25.4 mm]
Weight	0.082 lbs [37.19 g]

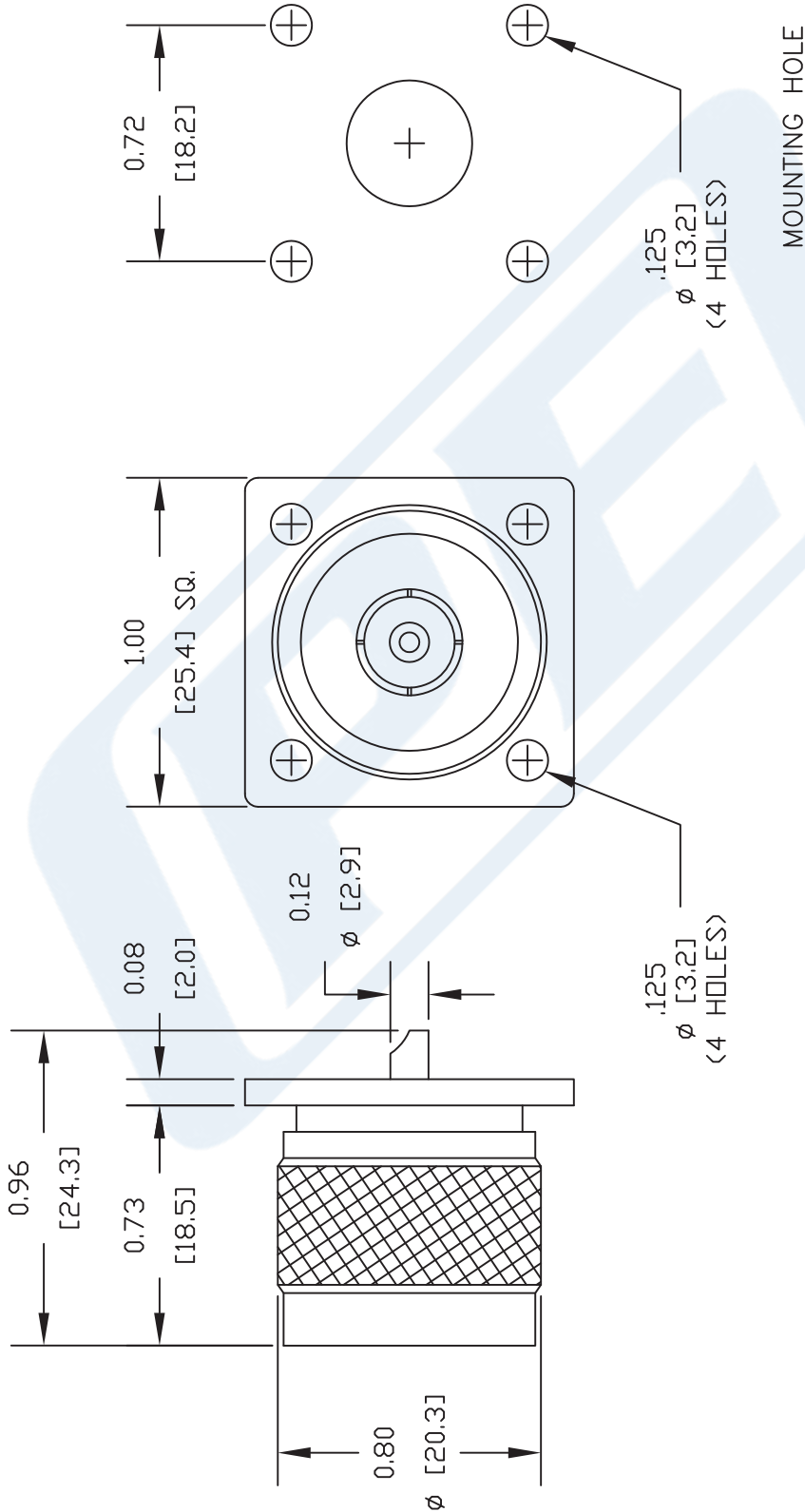
Material Specifications

Description	Material	Plating
Contact	Brass	Gold
Insulation	PTFE	
Body	Brass	Nickel
Coupling Nut	Brass	Nickel

Click the following link (or enter part number in "SEARCH" on website) to obtain additional part information including price, inventory and certifications: [N Male Connector Solder Attachment 4 Hole Flange Mount Solder Cup Terminal, .718 inch Hole Spacing PE4131](#)

PE4131 CAD Drawing

N Male Connector Solder Attachment 4 Hole Flange Mount
Solder Cup Terminal, .718 inch Hole Spacing



DWG TITLE

PE4131

- NOTES:
1. UNLESS OTHERWISE SPECIFIED ALL DIMENSIONS ARE NOMINAL.
2. ALL SPECIFICATIONS ARE SUBJECT TO CHANGE WITHOUT NOTICE AT ANY TIME.
3. DIMENSIONS ARE IN INCHES [mm].
4. FITS MIL-C-17 AND EQUIVALENT CABLES.

REV. A

FSCM NO. 53919

CAD FILE 090111

SCALE N/A

SIZE A

2231



Pasternack Enterprises, Inc.
P.O. Box 16759 | Irvine | CA | 92623
Phone: (949) 261-1920 | Fax: (949) 261-7451
Website: www.pasternack.com | E-Mail: sales@pasternack.com