

## General Description

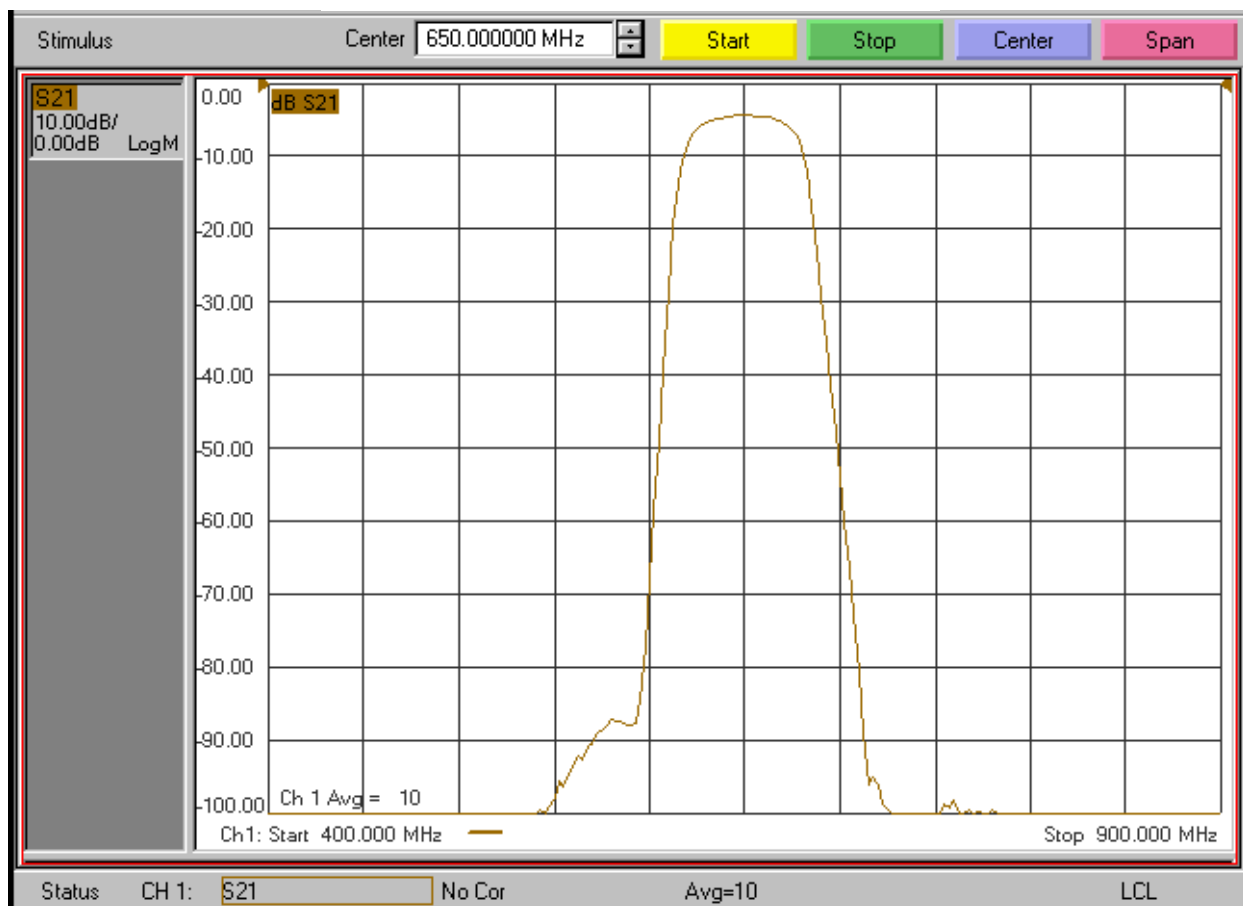
KR Electronics part number 3329-SMA is a 650 MHz band-pass filter. The filter has a 3 dB bandwidth of 50 MHz min. Other center frequencies and bandwidths are available. Please consult the factory.

### Features

- 650 MHz Bandpass Filter
- 50 MHz min 3 dB Bandwidth
- 106 MHz typical 60 dB Bandwidth
- Very Selective Pseudo Elliptic Filter
- High Stopband Rejection
- 50  $\Omega$  Source and Load
- SMA Connectors

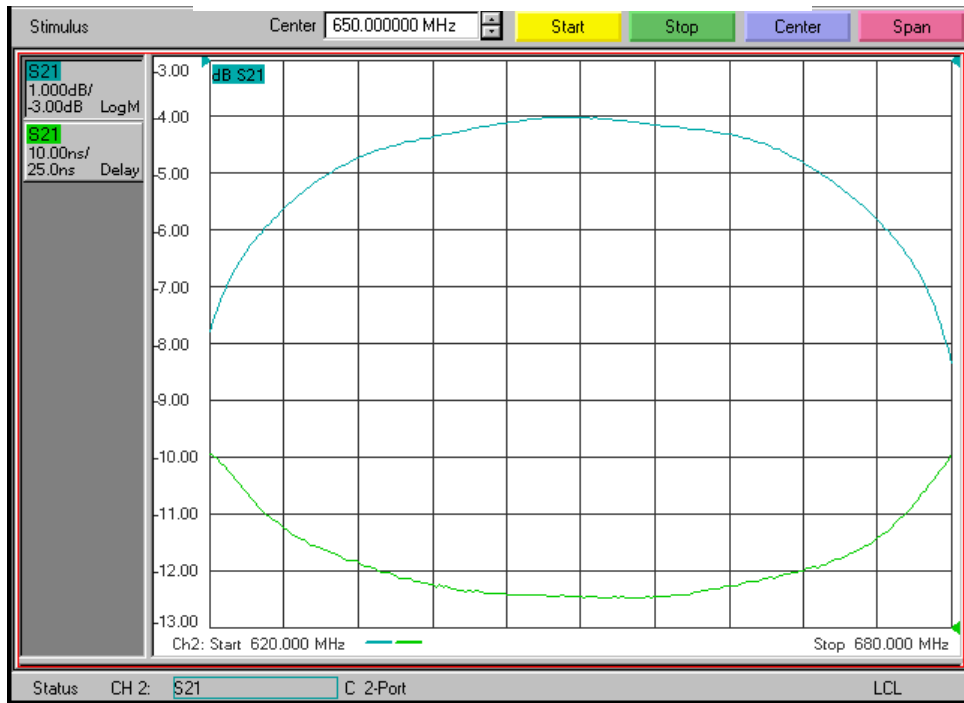
## Typical Performance

**Overall Response**  
(10 dB/div)

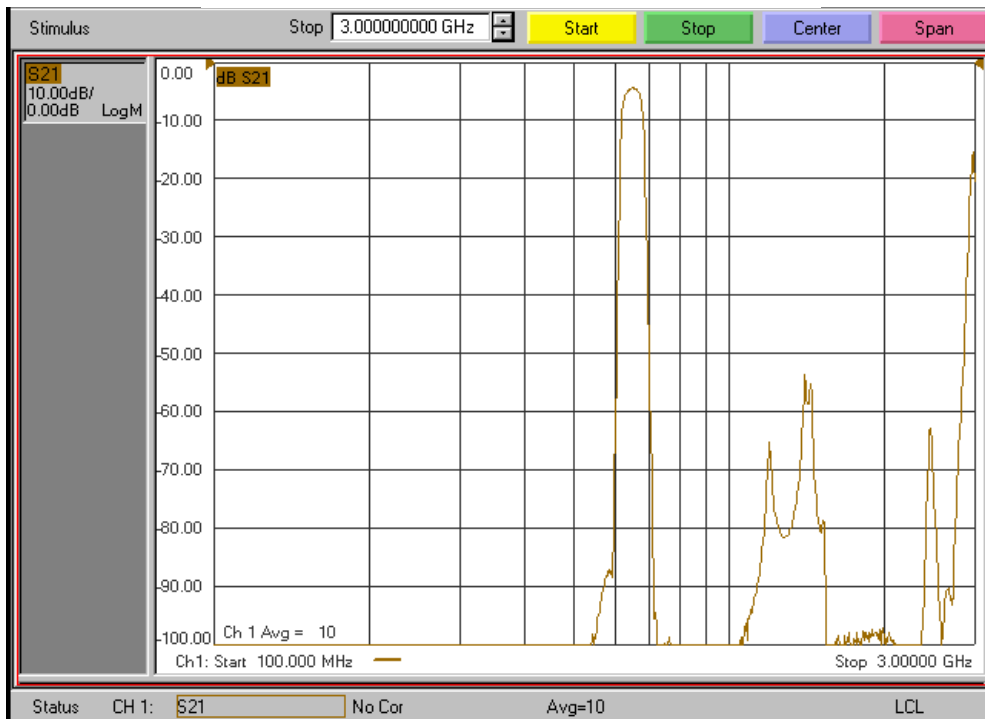


# KR Electronics 3329-SMA

## Passband Amplitude & Group Delay (1 dB/div & 10 nsec/div)



## Overall Response (10 dB/div)



KR Electronics, Inc.  
91 Avenel Street  
Avenel, NJ 07001

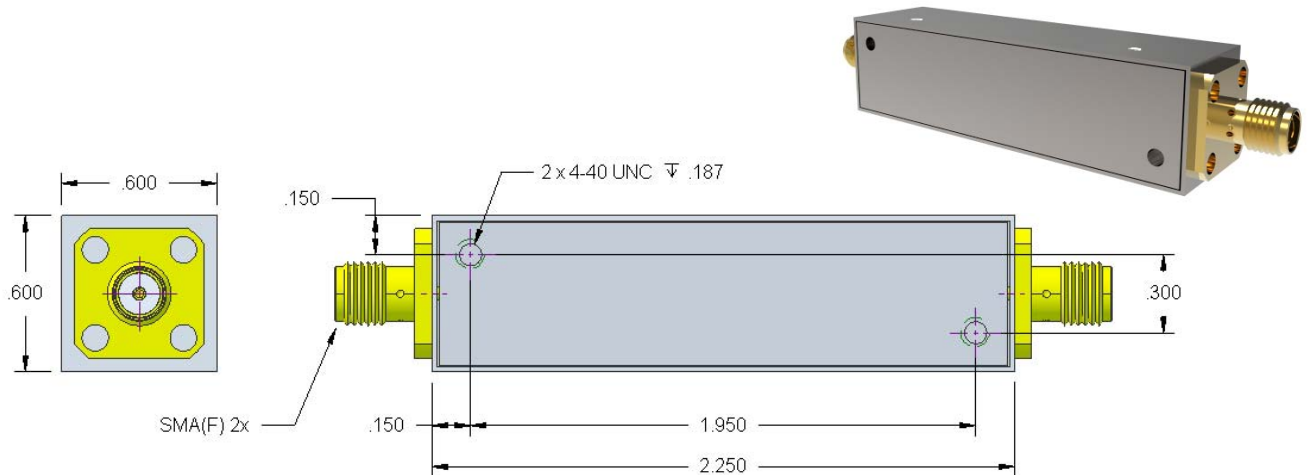
www.krfilters.com  
sales@krfilters.com  
Web (732) 636-1900  
Email (732) 636-1982  
Phone

# KR Electronics 3329-SMA

## Specifications

Parameter	Specification	
Filter type	Bandpass	
Center Frequency	650 MHz	
Insertion Loss	5 dB max	4 dB typical
3 dB Bandwidth	50 MHz min	55 MHz typical
60 dB Bandwidth	125 MHz max	106 MHz typical
Source and Load	50 $\Omega$	

## Physical Dimensions



**Notes:**

1. Dimensions in inches
2. Rectangular case