

6

5


4

3

2


1


MATERIAL AND FINISH:
 Insulator: Polycarbonate, UL-94V-0 rated
 Contacts: Brass, Nickel plated


ELECTRICAL SPECIFICATIONS:
 Current rating: 10 A 
 Voltage rating: 250 VAC
 Insulation resistance: 100 Mohm min. at 500 VDC
 Dielectric withstanding voltage: 2000 VAC for one minute

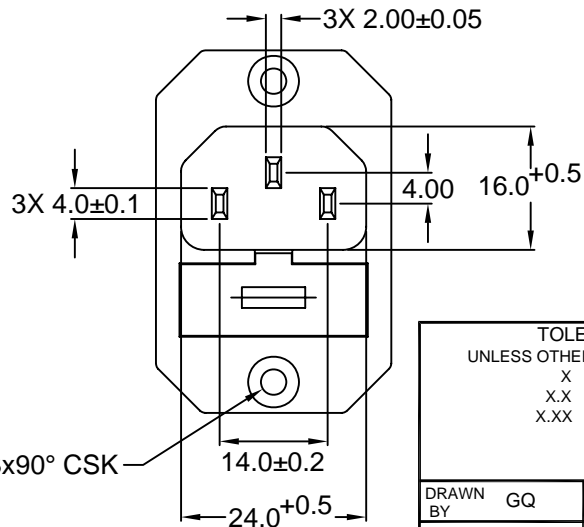
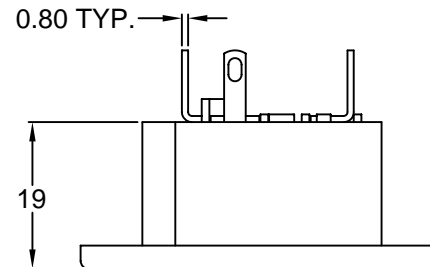
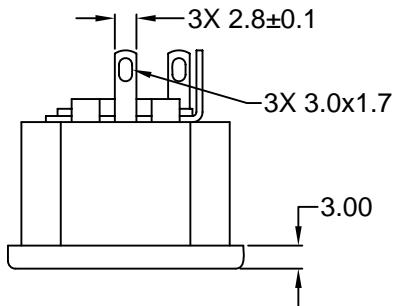
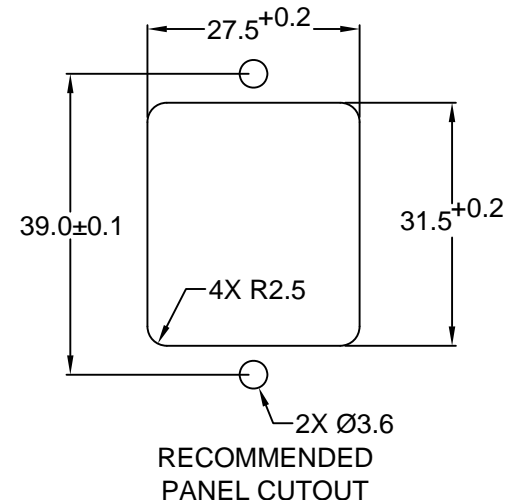
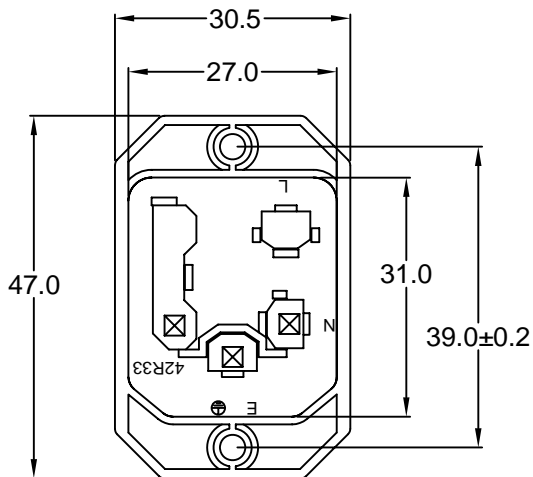
ORDERING CODE:
 42R33-2 2
 1 2

- 1) **COLOR**
 1 = BLACK
 2 = GRAY
- 2) **ELECTRICAL CIRCUIT CONFIGURATION**

1 = 10A 250V 70°C
 2+GROUND 

2 = 10A 250V 120°C
 2+GROUND 

4 = 10A 250V 70°C
 2 POLE 



2X Ø3.3x90° CSK

RoHS
 COMPLIANT

TOLERANCE UNLESS OTHERWISE SPECIFIED		
X	±	1
X.X	±	0.4
X.XX	±	0.20
DRAWN BY	GQ	DATE: 09/12/01
CHECK BY	TD	DATE: 09/12/01
APPR BY	PB	DATE: 09/12/01

Power Dynamics, Inc.
 Phone: 973 560-0019 Whippany, New Jersey Fax: 973 560-0076

PART: IEC 60320 SINGLE FUSE HOLDER APPL. IN-LET; SOLDER TERMINALS; CROSS FLANGE

PART #: **42R33-2X2X** SHEET 1 of 1

SIZE: A ALL DIMENSIONS FOR REFERENCE ONLY
 SCALE: NTS DIMENSIONS ARE IN MILLIMETERS REV:

REVISIONS	CHNG	CHECK	APPR
	CHANGE		
	REV	DATE	

6

5

4

3

2

1