

**PLEASE CHECK WWW.MOLEX.COM FOR LATEST PART INFORMATION**

**Part Number:** **0505197625**  
**Status:** **Active**  
**Description:** Ring Tongue Terminal for 16-22 AWG, Closed Uninsulated Brazed Barrel, Stud Size 1/4" (M6), Oxygen-Free Copper, Length 20.20mm (.795")

**Documents:**

[Drawing \(PDF\)](#) [RoHS Certificate of Compliance \(PDF\)](#)  
[Product Specification PS-50519-002 \(PDF\)](#)

**Agency Certification**

CSA LR95446  
 UL E134962

**General**

Product Family Ring and Spade Terminals  
 Series [50519](#)  
 Crimp Quality Equipment Yes  
 Mil-Spec N/A  
 Product Name R (Ring)  
 Type Ring

**Physical**

Barrel Type Closed - Brazed  
 Insulation None  
 Material - Plating Mating Tin  
 Packaging Type Bag  
 Plating min: Mating (µin) 40  
 Plating min: Mating (µm) 1  
 Plating min: Termination (µin) 40  
 Plating min: Termination (µm) 1  
 Stud Size 1/4" (M6)  
 Termination Interface: Style Crimp or Compression  
 Wire Size AWG 16, 18, 20, 22  
 Wire Size mm<sup>2</sup> 0.25 - 1.65

**Material Info**

**Reference - Drawing Numbers**

Product Specification PS-50519-002  
 Sales Drawing SD-50519-001



Series

image - Reference only

**EU RoHS**

**ELV and RoHS Compliant**  
**REACH SVHC**  
 Not Reviewed  
**Halogen-Free Status**  
**Not Reviewed**

**China RoHS**



**Need more information on product environmental compliance?**

Email [productcompliance@molex.com](mailto:productcompliance@molex.com)  
 For a multiple part number RoHS Certificate of Compliance, [click here](#)

Please visit the [Contact Us](#) section for any non-product compliance questions.

**Search Parts in this Series**

[50519Series](#)

**Application Tooling | [FAQ](#)**

*Tooling specifications and manuals are found by selecting the products below. Crimp Height Specifications are then contained in the Application Tooling Specification document.*

**Japan**

Description	Product #
Hand Crimper For JIS Terminal	<a href="#">0572575000</a>
Hand Crimper For JIS Terminal	<a href="#">0573435002</a>
Air Type Hand Crimper For JIS Terminal	<a href="#">0573439005</a>

10 9 8 7 6 5 4 3 2 1

F

E

D

C

B

A

F

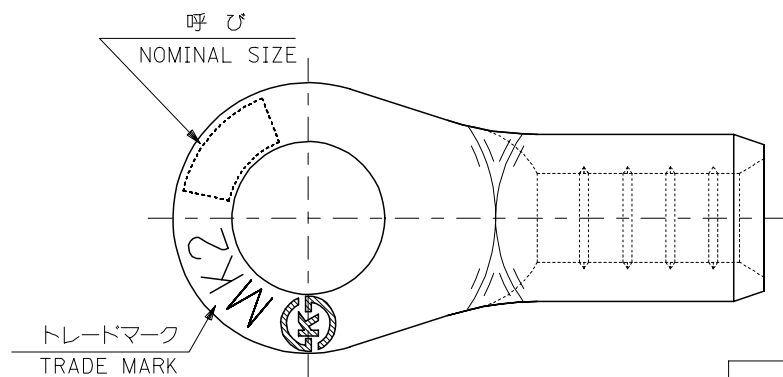
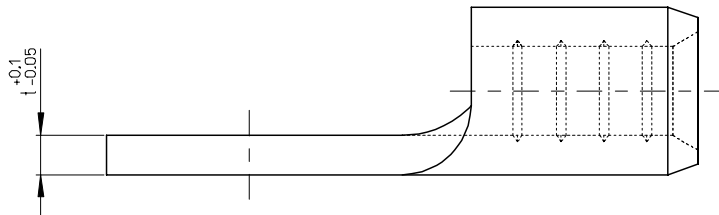
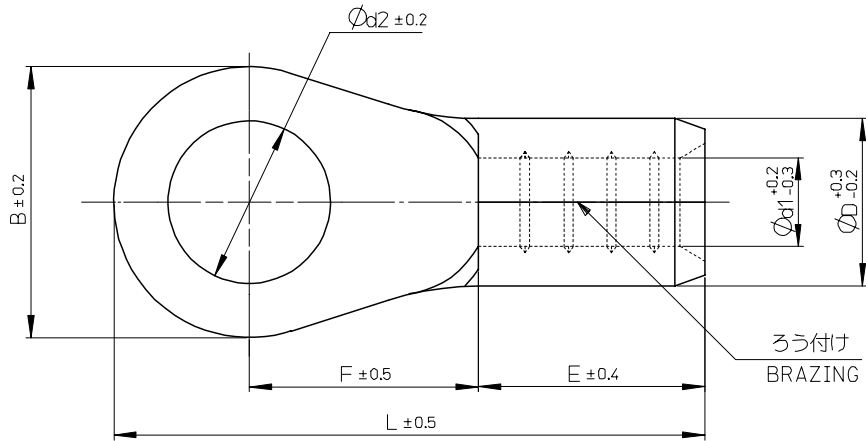
E

D

C

B

A



注記 NOTES

- 1 材質 MATERIAL  
 端子: 無酸素銅、スズメッキ  
 TERMINAL: OXYGEN FREE COPPER, TIN PLATING  
 ろう付け部: リン銅ろう  
 PART OF BRAZING: COPPER PHOSPHORUS BRAZING FILLER METALS
- 2 適用電線 APPLICABLE WIRE RANGE

単線 SOLID WIRE	撚線 STRANDED WIRE
0.57-1.44mm	0.25-1.65 mm <sup>2</sup>

0.8	10.5	21.8	10.5	4.5	1.7	3.4	13.6	1.25	10	50519-7825	
	8.4	20.2	10				11.5		8	-7725	
	6.4						6		-7625		
	4.3	14.4	6.6				6.6		S4	-7525	
	3.7	13.8					4.8		5.5	M3.5	-7425
	3.2	14.4	6.6				6.6		5.5	S3.5	-7325
		13.8								4.8	V3
	2.5	12	4.8				5.5		M3	-7125	
t	Ød2	L	F	E	Ød1	ØD	B	呼び NOMINAL SIZE	MATERIAL NO.		

REVISED EC NO: J2007-1282 2006/12/19 DRW:KITO 2007/03/07 CHK:KASAHARA 2007/03/07 APPR:NUKITA 2007/03/08	GENERAL TOLERANCES (UNLESS SPECIFIED)		DIMENSION STYLE MM ONLY		SCALE ---	DESIGN UNITS METRIC	THIRD ANGLE PROJECTION		
	10 UNDER	± ---	DRAWN BY H. IJIMA		DATE 1998/02/23	TITLE RING TERMINAL			
	10 OVER 30 UNDER	± ---	CHECKED BY M. FUKUSHIMA		DATE 1998/02/23	MOLEX INCORPORATED SD-50519-001 SHEET NO. 1 OF 1			
	30 OVER	± ---	APPROVED BY M. FUKUSHIMA		DATE 1998/02/23				
	ANGULAR	±1 °	MATERIAL NO.		DOCUMENT NO.		SEE CHART		
DRAFT WHERE APPLICABLE MUST REMAIN WITHIN DIMENSIONS		SIZE A3	THIS DRAWING CONTAINS INFORMATION THAT IS PROPRIETARY TO MOLEX INCORPORATED AND SHOULD NOT BE USED WITHOUT WRITTEN PERMISSION						